



Manuals.plus /

› ANTLUX /

› ANTLUX 4ft LED Flush Mount Linear Light Fixture (Model AL-4WP-2) User Manual

ANTLRUX AL-4WP-2

ANTLRUX 4ft LED Flush Mount Linear Light Fixture User Manual

MODEL: AL-4WP-2

Introduction

Thank you for choosing the ANTLUX 4ft LED Flush Mount Linear Light Fixture. This product is designed to provide high-performance, energy-efficient lighting for various indoor spaces such as kitchens, laundry rooms, living rooms, and offices. Featuring advanced LED technology, this fixture delivers bright, uniform illumination while consuming less energy than traditional fluorescent lights. With a long lifespan and durable construction, it offers a reliable lighting solution for your home or workspace.

AntLux

4FT LED LIGHT FIXTURE

The 4 foot led light is best ideal for your garage, warehouse, workshop, office etc.



40W



4500LM



5000K



120VAC



CRI: 80+

This image showcases the ANTLUX 4ft LED light fixture illuminating a modern kitchen space, highlighting its effectiveness in providing bright and uniform light for daily activities.

Key features include 4500 lumens output at 40 watts, a 5000K color temperature for daylight white light, and an estimated lifespan of over 50,000 hours. The fixture incorporates a frosted diffuser to ensure soft, comfortable lighting without glare or flickering, protecting your eyes from harsh light. Its elegant design with decorative end caps complements modern interior aesthetics.

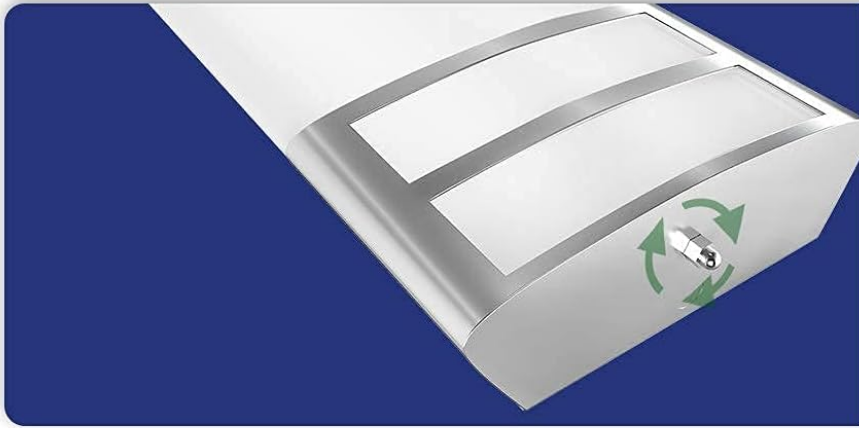


40W

4FT LED LIGHT FIXTURE

- 4500 Lumens
- 5000K Daylight White
- 180° Beam Angle
- 50,000+ hrs worry-free

The ANTLUX 4ft LED light fixture is shown installed in a laundry room, emphasizing its high performance specifications including 40W power, 4500 lumens, 5000K daylight white color temperature, wide 180-degree beam angle, and extended lifespan of over 50,000 hours.



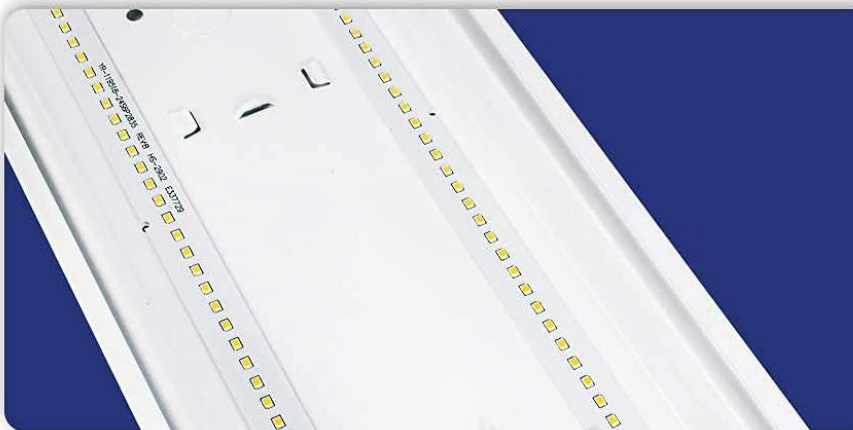
**Sturdy and Durable
Material .**



**Excellent Light
Transmission.**



**High-efficiency LED
Technology. Brighter
and Energy Saving.**



This image provides detailed views of the light fixture's construction, illustrating its robust materials, the quality of its light transmission, and the advanced, energy-efficient LED technology that ensures bright and consistent lighting.



SMOOTH OPERATION NO FLICKER

High Transparency



Energy saving



No strobe



No noise



Eye-care

This visual highlights the smooth and stable operation of the ANTLUX LED light, emphasizing its flicker-free performance, high transparency, energy efficiency, silent operation, and eye-protective qualities.

Safety Instructions

Please read and understand all instructions before beginning installation. Failure to follow these instructions may result in electric shock, fire, or other hazards that could cause personal injury or property damage.

- **WARNING:** Risk of electric shock. Disconnect power at the fuse or circuit breaker before installing or servicing.
- This product must be installed in accordance with the applicable installation code by a person familiar with the construction and operation of the product and the hazards involved.
- Ensure all electrical connections are made correctly and securely.
- Do not install near any heat sources.
- Do not handle the fixture with wet hands.
- This fixture is designed for indoor use only. Do not expose to water or moisture.
- Do not attempt to modify the fixture. Any modifications may void the warranty and create safety hazards.

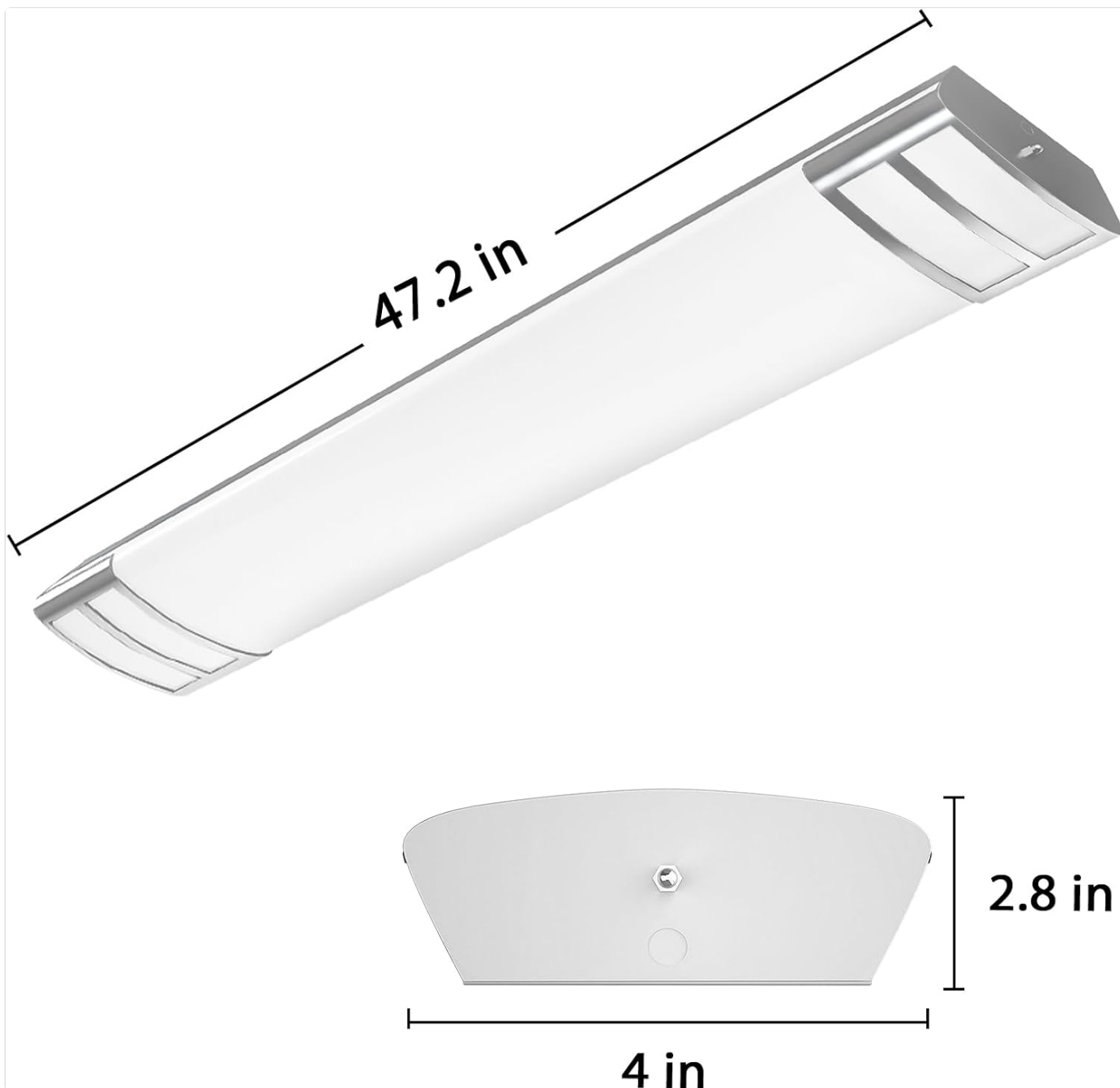
What's Included

The package for your ANTLUX 4ft LED Flush Mount Linear Light Fixture includes the following components:

- LED Kitchen Ceiling Fixtures (2 units for a 2-pack)
- Accessory kits (mounting hardware)
- User Manual

Product Specifications

Feature	Specification
Brand	ANTLUX
Model Number	AL-4WP-2
Wattage	40 Watts
Brightness	4500 Lumens
Color Temperature	5000K (Daylight White)
Voltage	120 Volts AC
Material	Aluminum, Metal, PC (Polycarbonate)
Installation Type	Flush Mount
Product Dimensions	47.2"L x 4"W x 2.8"H
Light Source Type	LED
Lifespan	50,000+ hours
CRI	80+
Beam Angle	>120°
Working Temperature	-20°C (-4°F) ~ +45°C (118°F)
Indoor/Outdoor Usage	Indoor

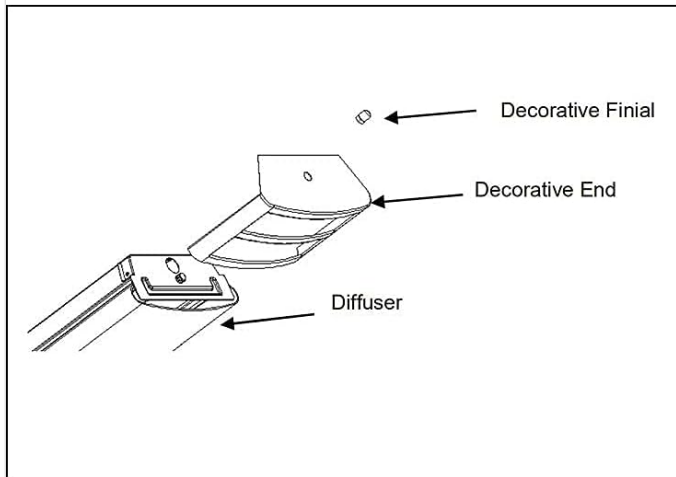


This diagram illustrates the physical dimensions of the ANTLUX 4ft LED light fixture, measuring 47.2 inches in length, 4 inches in width, and 2.8 inches in height, useful for planning installation space.

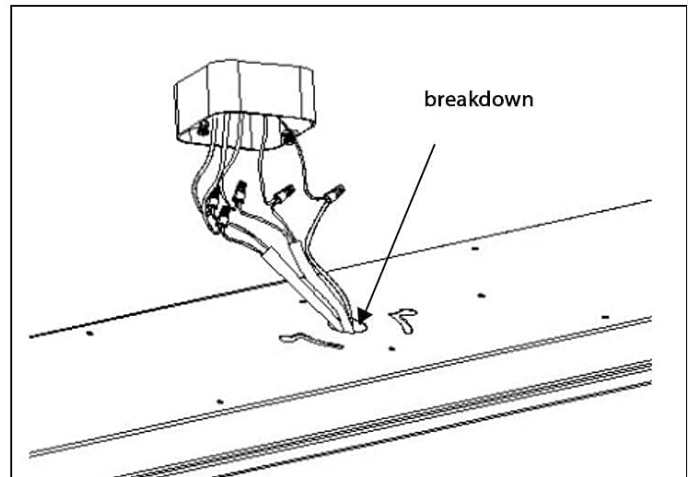
Installation Guide

Follow these steps for a hassle-free installation of your ANTLUX LED light fixture. Ensure power is disconnected at the circuit breaker before starting.

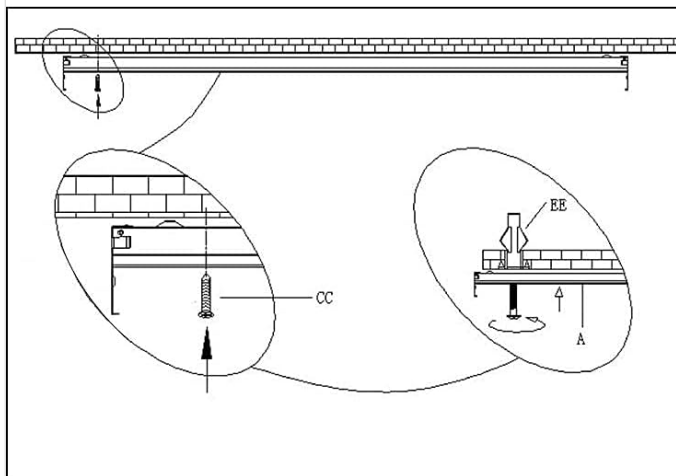
NOTE: After wiring finished, please hide all wire to junction box, to avoid the wire drop into cover.



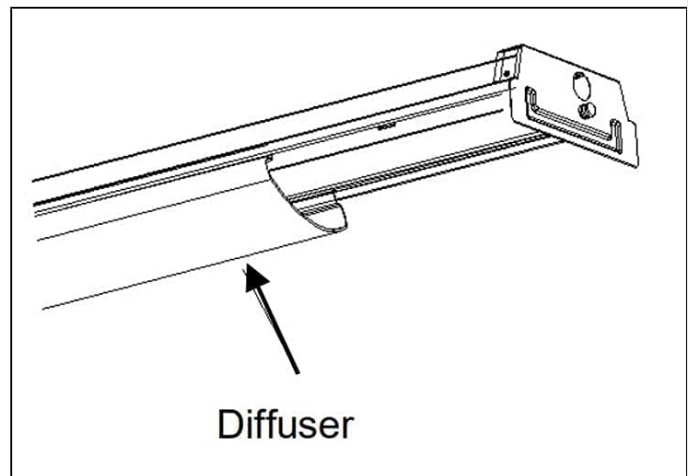
1. Remove the ends cap and diffuser.



2. Knock out the middle hole and connect the wire correctly.



3. Attach the fixture to ceiling.



4. Fix the diffuser to fixture, finish!

This series of diagrams provides a clear, step-by-step guide for installing the ANTLUX LED light fixture, from preparing the fixture and wiring to mounting it on the ceiling and securing the diffuser.

- Step 1: Remove End Caps and Diffuser.** Carefully detach the decorative end caps and the frosted diffuser from the main body of the light fixture. This will expose the internal wiring and mounting points.
- Step 2: Prepare Wiring.** Locate the middle hole on the fixture's backplate. Knock out this hole if necessary. Connect the fixture's wires to your household electrical wiring (live, neutral, ground) according to local electrical codes. Ensure all connections are secure and insulated. After wiring is finished, hide all wires into the junction box to prevent them from dropping into the cover.
- Step 3: Attach Fixture to Ceiling.** Using the provided accessory kits (mounting hardware), securely attach the main body of the fixture to the ceiling. Ensure the fixture is firmly mounted to a structural support.
- Step 4: Fix the Diffuser.** Once the fixture is securely mounted and wired, reattach the frosted diffuser and the decorative end caps. Ensure they are properly seated and secured to complete the installation.

After installation, restore power at the circuit breaker and test the light fixture.

Operating Instructions

The ANTLUX LED Flush Mount Linear Light Fixture operates via a standard wall switch connected to your home's electrical system. There are no complex controls or settings required.

- **To Turn On:** Flip the wall switch connected to the fixture to the 'ON' position.
- **To Turn Off:** Flip the wall switch connected to the fixture to the 'OFF' position.

The fixture is designed for instant-on operation and provides full brightness immediately.

Maintenance

The ANTLUX LED light fixture requires minimal maintenance. Regular cleaning will help maintain its appearance and light output.

- **Cleaning:** Ensure the power is turned off before cleaning. Use a soft, dry, or slightly damp cloth to wipe the exterior surfaces of the fixture. Do not use abrasive cleaners, solvents, or cleaners containing alcohol, as these can damage the finish or diffuser.
- **LEDs:** The integrated LED lights are designed for a long lifespan and do not require replacement. Do not attempt to open the sealed LED components.
- **Inspection:** Periodically check the fixture for any signs of damage or loose connections. If any issues are found, disconnect power and contact customer support.

Troubleshooting

If you encounter any issues with your ANTLUX LED light fixture, please refer to the following common troubleshooting steps:

Problem	Possible Cause	Solution
Light does not turn on	No power to the fixture Loose wiring connection Faulty wall switch	Check circuit breaker and wall switch. Ensure power is on. Verify all wire connections are secure (with power off). Test the wall switch with another device or replace if faulty.
Light flickers	Loose wiring connection Incompatible dimmer switch (if applicable) Power fluctuations	Check and secure all wiring connections (with power off). Ensure the fixture is not connected to an incompatible dimmer. This fixture is not specified as dimmable. Consult an electrician if power fluctuations are suspected.
Light output is dim	Dust or dirt on diffuser Incorrect voltage supply	Clean the diffuser with a soft, dry cloth (with power off). Verify the fixture is receiving the correct 120V AC supply.

If these steps do not resolve the issue, please contact ANTLUX customer support for further assistance.

Warranty Information

The ANTLUX 4ft LED Flush Mount Linear Light Fixture is designed for long-lasting performance, with an expected lifespan of over 50,000 hours. This translates to approximately 23 years of operation based on 6 hours of daily use. ANTLUX stands behind the quality of its products.

For specific warranty terms and conditions, please refer to the documentation provided with your purchase or contact ANTLUX customer support directly.

Customer Support

Should you require any assistance with your ANTLUX 4ft LED Flush Mount Linear Light Fixture, including installation queries, troubleshooting, or warranty claims, our professional after-sales team is available to help.

Please email us with your product model number (AL-4WP-2) and a detailed description of your inquiry. We are committed to providing timely support and a 100% satisfaction solution.

For the most up-to-date contact information, please visit the official ANTLUX website or refer to your purchase documentation.