



Manuals.plus /

› FAHKNS /

› FAHKNS Handheld Leather Shoe Repair Machine Instruction Manual (Model 165967-5354-1700117232)

FAHKNS 165967-5354-1700117232

FAHKNS Handheld Leather Shoe Repair Machine Instruction Manual

Model: 165967-5354-1700117232

INTRODUCTION

This manual provides detailed instructions for the assembly, operation, and maintenance of your FAHKNS Handheld Leather Shoe Repair Machine. Please read these instructions carefully before use to ensure safe and efficient operation.

PRODUCT INTRODUCTION

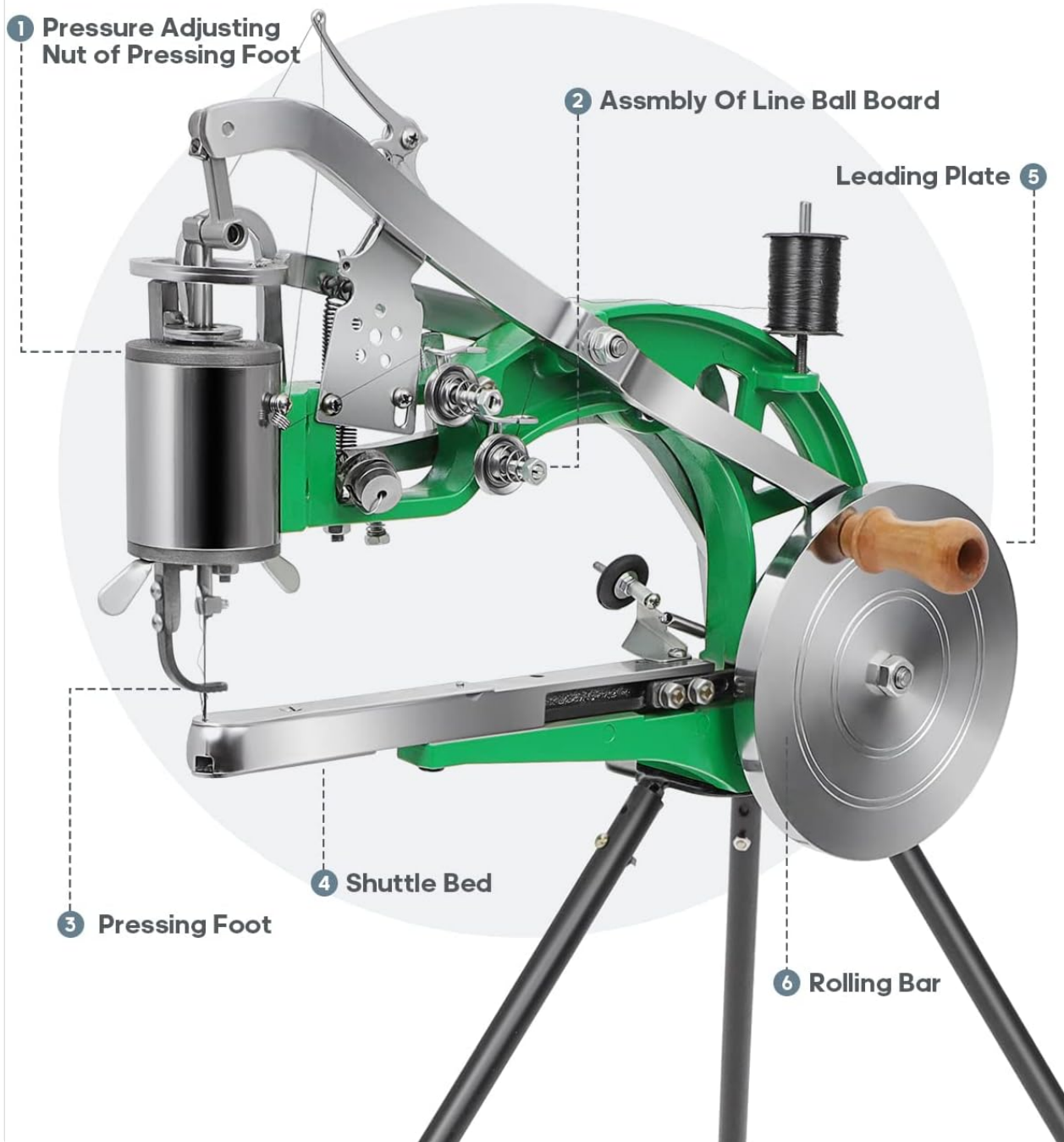


Figure 1: Overview of the FAHKNS Handheld Leather Shoe Repair Machine with key components labeled.

- **Durable Construction:** Constructed from durable aluminum alloy for strength and longevity.
- **Manual Operation:** Hand-powered operation allows for precise control over stitching strength and accuracy, enabling work in areas inaccessible to other machines.
- **Versatile Application:** Suitable for sewing various materials including leather shoes, rubber shoes, sports shoes, high heels, cloth shoes, raincoats, leather bags, pants, and other leather products using nylon or cotton threads.

COMPONENTS INCLUDED

Verify that all components listed below are present in your package:



Figure 2: All parts and accessories included with the shoe repair machine.

- 1 x Shoe Repair Machine
- 1 x Shuttle
- 1 x Tripod-Type Stand (includes Triangle shelf, Fixed base, Rolling bar)
- 1 x Set of Machine Needles
- 1 x Nylon Thread Coil
- 1 x Pair of Cotton Gloves

- 1 x Plastic Squeeze Bottle (for lubricating oil)
- 1 x Combination Screwdriver
- 1 x Flower Spanner

SETUP AND ASSEMBLY

Follow these steps to assemble your shoe repair machine:

1. **Assemble the Stand:** Attach the three legs (triangle shelf) to the fixed base. Secure them with the provided screws and nuts.
2. **Install the Hand Crank:** Attach the hand crank to the main body of the machine. Ensure it is securely fastened.
3. **Mount the Machine:** Place the main machine body onto the assembled stand.
4. **Initial Lubrication:** Apply a small amount of lubricating oil (from the plastic squeeze bottle) to all moving parts of the machine. This facilitates smoother operation and extends the machine's lifespan.

Your browser does not support the video tag.

Video 1: Visual guide demonstrating the assembly of the shoe repair machine, including attaching the stand and hand crank.

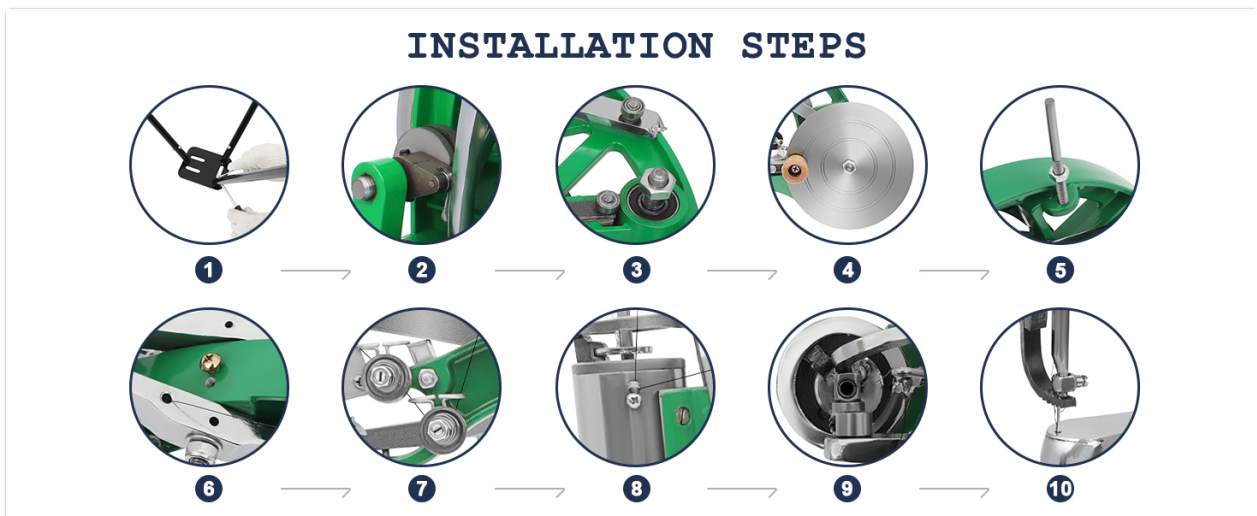


Figure 3: Visual guide for the installation steps of the machine.

THREADING INSTRUCTIONS

Correct threading is crucial for proper operation and to prevent thread breakage. Refer to the diagram below:

THREADING STEPS



Figure 4: Step-by-step guide for threading the machine.

1. **Step 1:** Place the thread spool onto the designated holder at the back of the machine.
2. **Step 2:** Guide the thread through the tension discs. Adjust the tightness of the upper thread as needed.



Figure 5: Adjusting the tension of the upper thread.

3. **Step 3:** Pass the thread through the various guides leading to the needle.
4. **Step 4:** Thread the needle from front to back. Ensure the needle groove faces outward to prevent thread breakage.

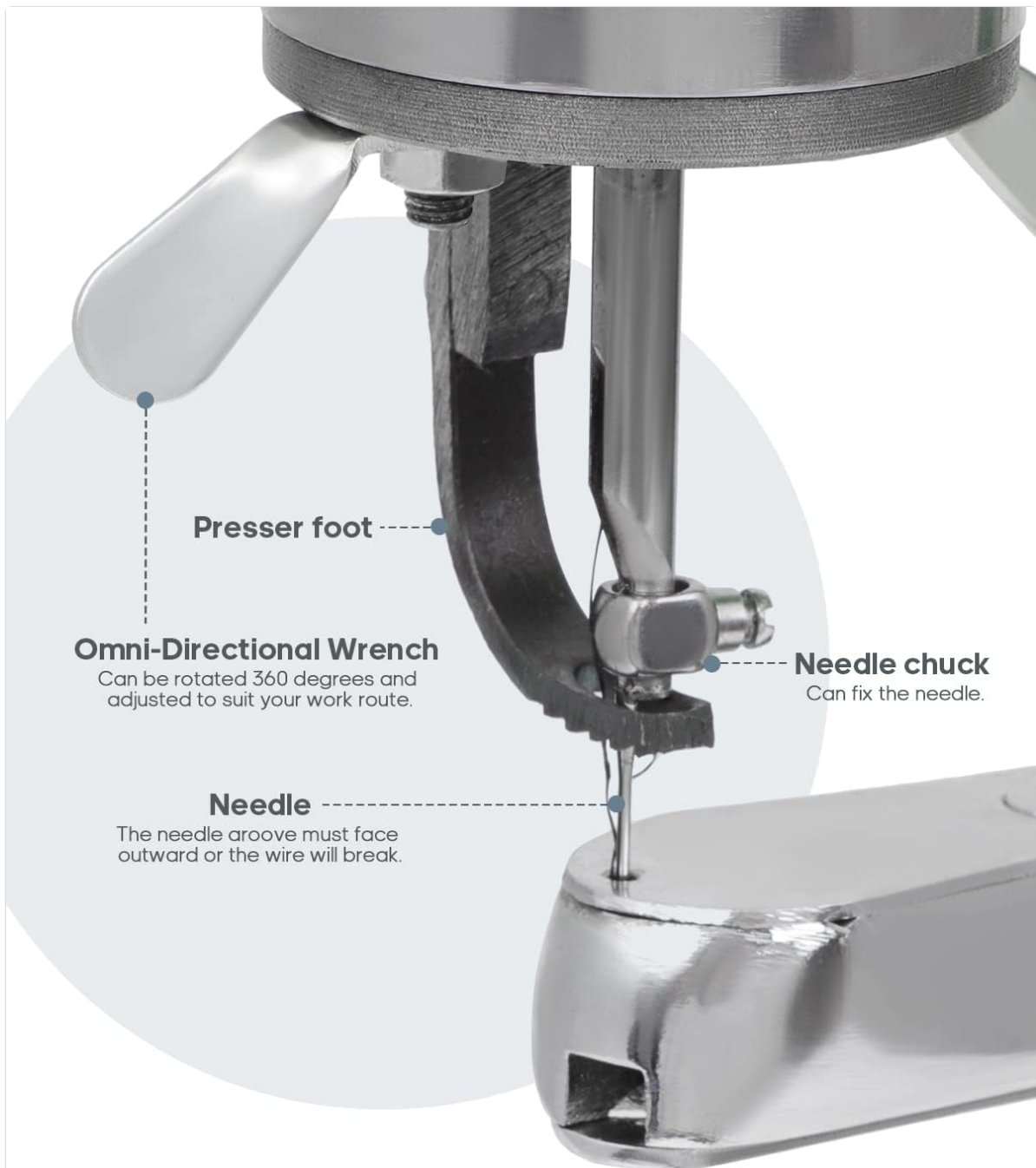
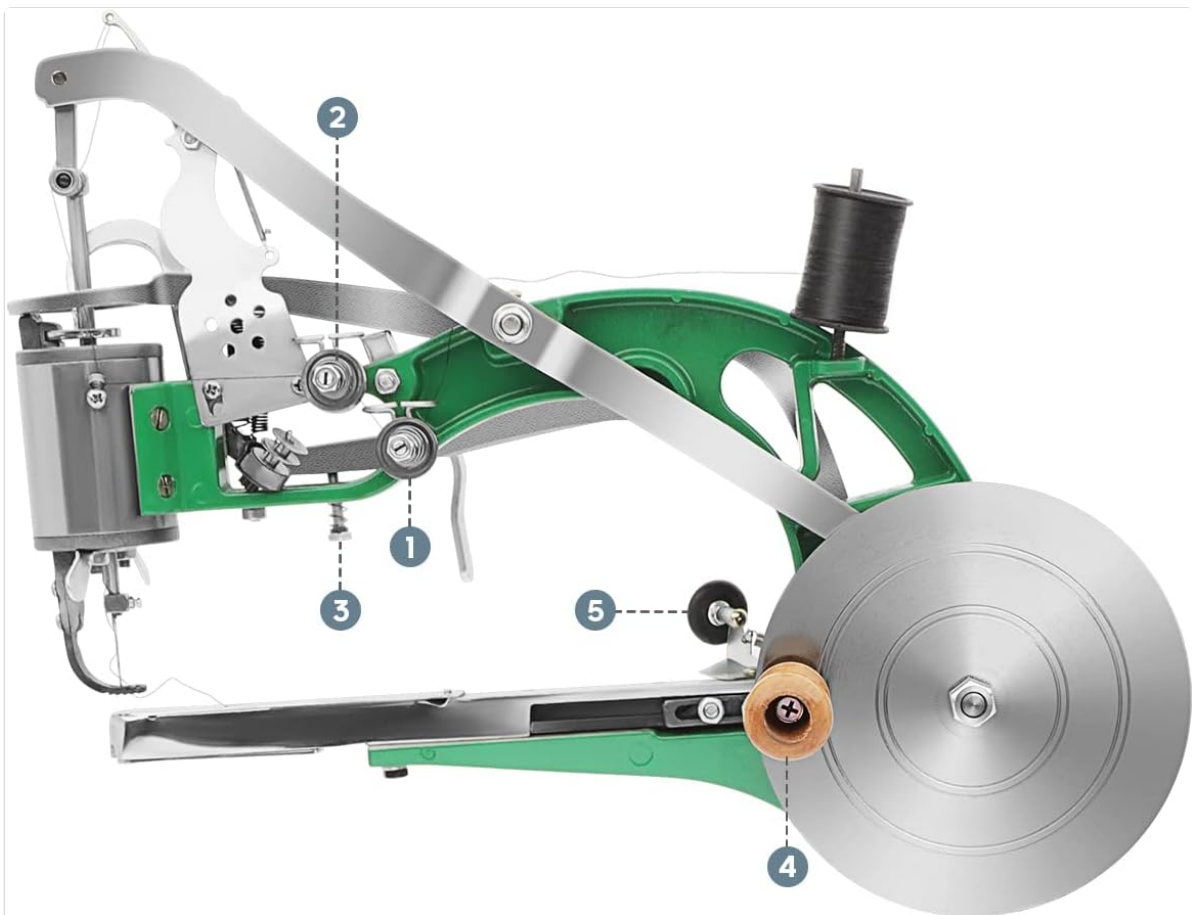


Figure 6: Proper needle orientation and components.

5. **Step 5:** Insert the bobbin into the shuttle bed. Ensure the thread from the bobbin is correctly positioned.

OPERATING INSTRUCTIONS

1. **Positioning Material:** Lift the presser foot using the lever. Place the material to be sewn under the needle and lower the presser foot.
2. **Adjusting Stitch Length:** The needle pitch adjustment nut (refer to Figure 7) controls the stitch length. Adjust as needed for your project.



- 1 Tension Disc (can adjust the upper thread)
- 2 Spare Tension Disc
- 3 Needle Pitch Adjustment Nut
- 4 Hand Crank (cannot be shaken backward, otherwise the line inside the shuttle will knot.)
- 5 Rewinder - The used bobbin can be placed here to wind lines.

Figure 7: Key operational components including the Needle Pitch Adjustment Nut.

3. **Stitching:** Rotate the hand crank clockwise to begin stitching. The machine is designed for manual control, allowing you to pause and resume at any point.

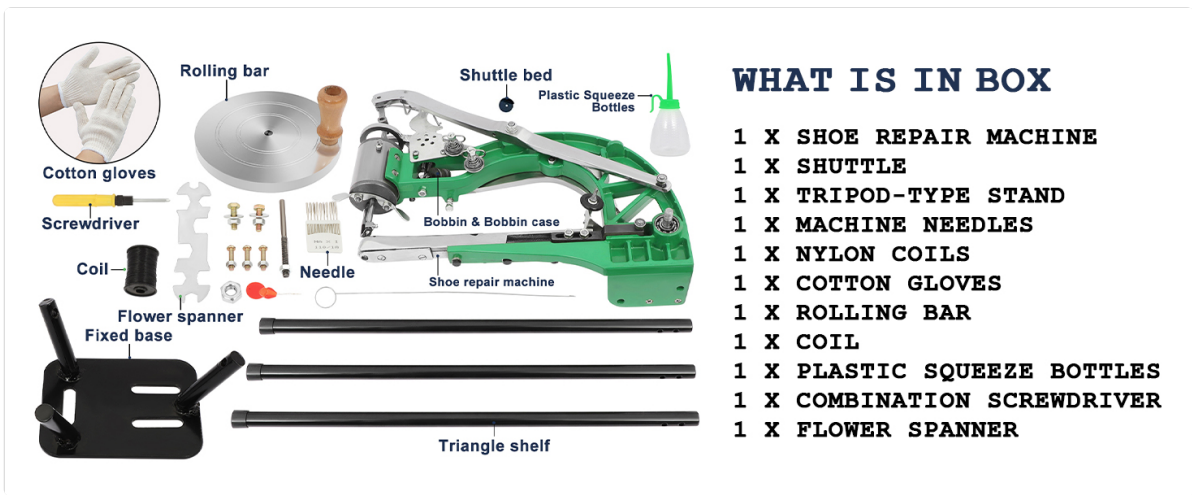



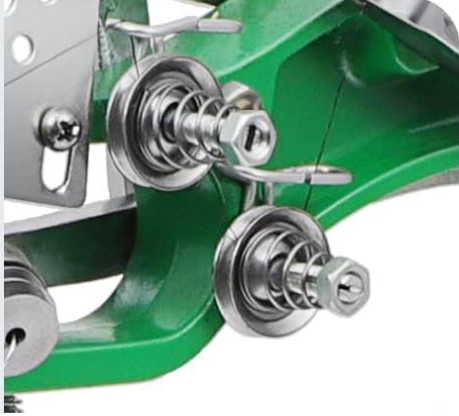
Figure 8: The hand crank mechanism for manual stitching.


4. **Directional Control:** The omni-directional wrench allows the presser foot to rotate 360 degrees, enabling stitching in any direction.



You can rotate 360 directions and adjust your work schedule at any time

Adjust the tightness of the upper thread





Remember not to roll back to avoid hitting the shuttle

Figure 9: The omni-directional wrench for flexible stitching paths.

5. **Finishing a Stitch:** To secure the stitch, double back on the first and last stitches. Cut the threads once finished.

MAINTENANCE

- **Lubrication:** Regularly apply lubricating oil to all moving parts, especially after extended use, to ensure smooth operation and prevent wear.
- **Needle Replacement:** If the needle becomes dull, bent, or breaks, it needs to be replaced.
 - a. Loosen the small screw on the needle chuck.
 - b. Carefully remove the old needle.
 - c. Insert a new needle, ensuring the flat part of the needle faces the back and the groove faces outward.
 - d. Tighten the screw to secure the new needle.
- **Cleaning:** Keep the machine clean from dust and lint, especially around the needle and shuttle area, to prevent operational issues.

TROUBLESHOOTING



Figure 10: Common questions and solutions for machine operation.

- **Thread Breaking:**
 - Ensure the thread is correctly threaded through all guides and tension discs.
 - Check that the needle groove faces outward.
 - Adjust the upper thread tension to be not too tight.
- **Bobbin Thread Not Drawing Smoothly (Shuttle Bed Adjustment):**
 - When the hand crank is moved to the leftmost position (nine o'clock), the overlap gap between the shuttle and the lock bed should be aligned with the needle.
 - If the shuttle's position is incorrect, loosen the two screws on the shuttle bed, adjust it left or right until it aligns with the needle, then re-tighten the screws.

SPECIFICATIONS

Feature	Detail
Product Dimensions	20.86 x 13.85 x 5.7 inches (53 x 35.2 x 14.5 cm)
Item Weight	4.99 pounds (2.27 Kilograms)
Manufacturer	FAHKNS
Model Number	165967-5354-1700117232
Brand	FAHKNS
Color	Green
Material	Aluminum
Power Source	Hand-powered
Is Electric	No
UPC	840366401406

WARRANTY AND SUPPORT

FAHKNS products are guaranteed. If you encounter any problems during use, please feel free to contact us.

We are committed to providing a satisfactory answer and support for your product.

For assistance, please refer to the contact information provided with your purchase or visit the official FAHKNS website.