



Manuals.plus /

› BEHOWL /

› Technique Car Building Blocks Set Instruction Manual

## BEHOWL K96131

# BEHOWL 13-in-1 Technique Car Building Blocks Set Instruction Manual

Model: K96131

## INTRODUCTION

Thank you for choosing the BEHOWL 13-in-1 Technique Car Building Blocks Set. This innovative STEM kit provides an engaging and educational experience, allowing you to construct 13 different models, including tracked racers, robots, trucks, tanks, and planes. The assembled models can be controlled via a 2.4GHz remote control or through a dedicated mobile application, offering multiple modes of interaction. This manual provides essential information for assembly, operation, maintenance, and troubleshooting to ensure a rewarding experience.



Image: The BEHOWL 13-in-1 Technique Car Building Blocks Set showcasing various assembled models and control options.

## WHAT'S IN THE BOX

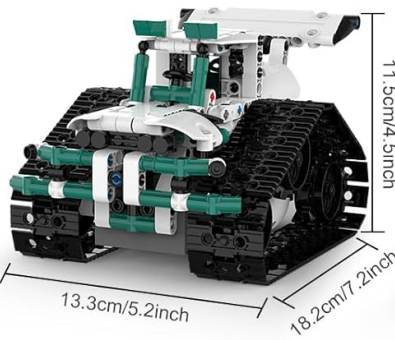
Please verify that all components are present before beginning assembly:

- Building blocks (550 pieces)
- Instruction Book (x2, Total 213 pages)
- 2.4G Remote Control (x1)
- Rechargeable Lithium Battery (x1)
- USB Charging Cable (x1)
- Color Box (packaging)

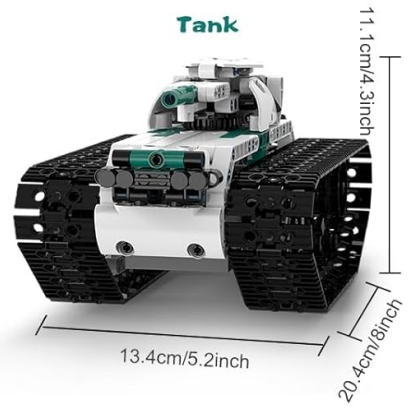
550pcs



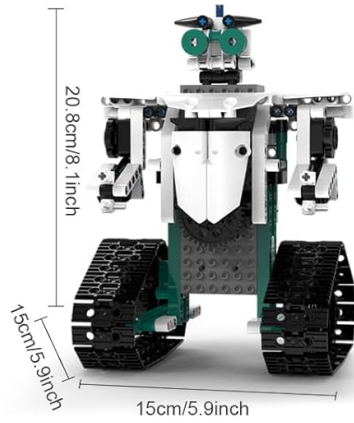
Tracked vehicle



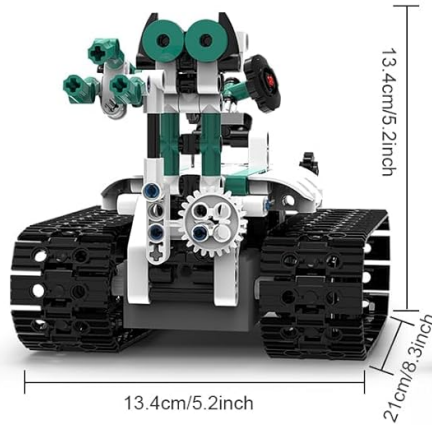
Tank



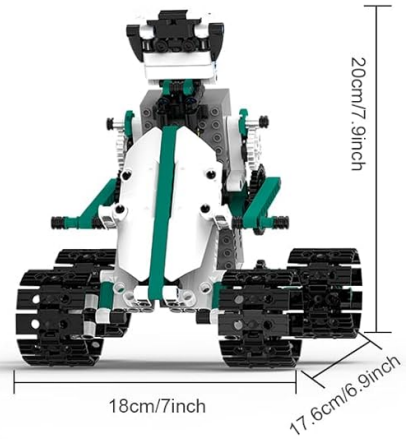
Battle robot



Mars Pathfinder robot



Worm robot



Instruactions\*2



2.4G Remote Control\*1



Rechargeable Battery\*1



Usb Charging Cable\*1

Image: Contents of the product package, detailing the building blocks, manuals, remote, battery, and charging cable.

## SPECIFICATIONS

<b>Product Dimensions</b>	5.9 x 5.9 x 8.2 inches
<b>Item Weight</b>	0.085 ounces
<b>Item Model Number</b>	K96131
<b>Manufacturer Recommended Age</b>	7 years and up
<b>Batteries Required</b>	2 AAA batteries (for remote control, not included)
<b>Main Unit Battery</b>	Rechargeable Lithium-ion battery (included)
<b>Number of Pieces</b>	550

## SAFETY INFORMATION

Please read and understand all safety precautions before use. Failure to do so may result in injury or damage to the product.

- **Small Parts Warning:** This product contains small parts and is not suitable for children under 3 years old due to choking hazards.
- **Age Recommendation:** Recommended for ages 7 years and up. Adult supervision is advised during assembly and play.
- **Battery Safety:**
  - Do not mix old and new batteries.
  - Do not mix alkaline, standard (carbon-zinc), or rechargeable (nickel-cadmium) batteries.
  - Insert batteries with correct polarity (+ and -).
  - Remove batteries from the remote control when not in use for extended periods.
  - The rechargeable lithium-ion battery for the main unit should only be charged using the provided USB cable.
  - Do not short-circuit battery terminals.
- **Material Safety:** The building blocks are made of environmentally friendly ABS plastic, which is non-toxic and has smooth edges.

## SETUP

### 1. Assembly

The BEHOWL kit allows for 13 different models. Refer to the two included instruction books for detailed, step-by-step assembly guides for each model. Some models are simpler to build, while others offer a more challenging experience, especially those with remote and APP control functionalities.

## Perfect Family Time



Image: Children engaged in the assembly process of the building blocks.

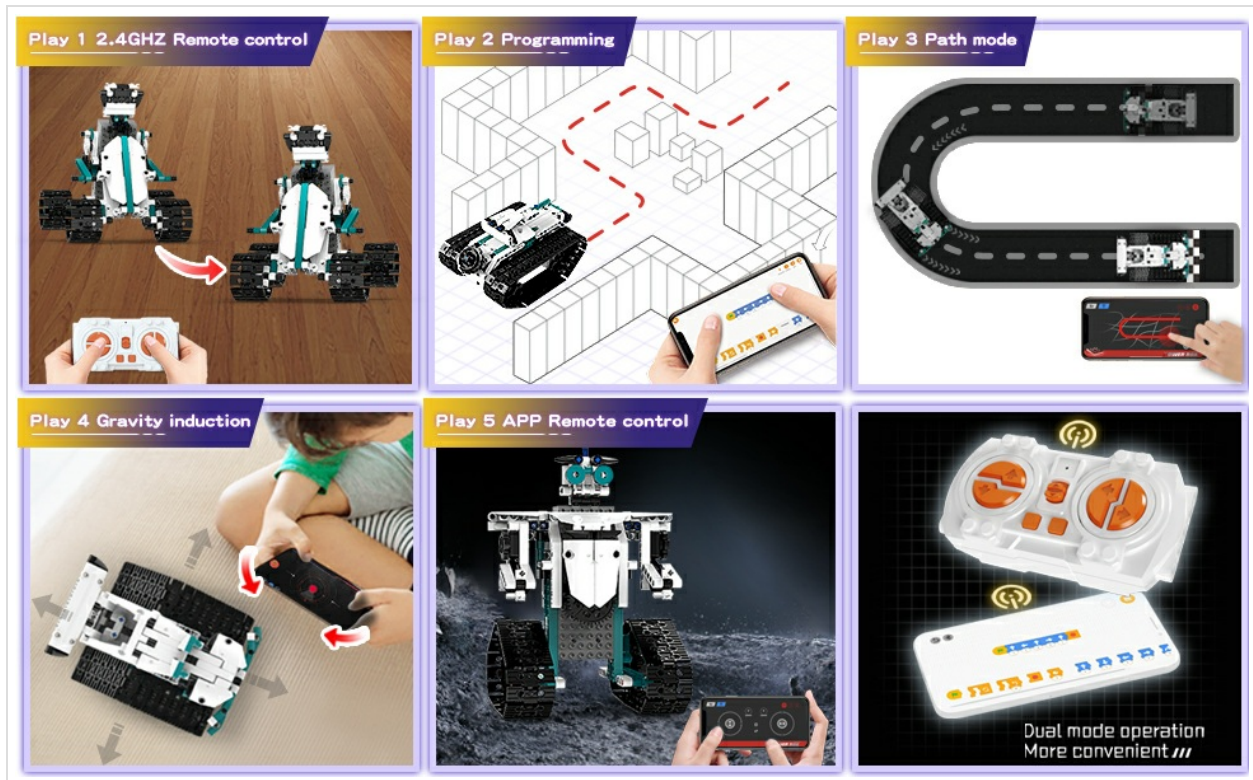


Image: Guide showing the varying difficulty levels of the 13 models, from simpler static builds to complex remote-controlled designs.

## 2. Battery Installation & Charging

- **Main Unit:** The technique car comes with a rechargeable lithium-ion battery. Connect the included USB charging cable to the battery pack and a suitable USB power source (e.g., computer USB port, wall adapter). The battery provides optimal running time and is easy to charge.
- **Remote Control:** The 2.4GHz remote control requires 2 AAA batteries (not included). Open the battery compartment on the back of the remote, insert the batteries according to the polarity indicators, and close the compartment securely.

## 3. APP Download & Connection

To utilize the APP control features, download the BEHOWL control application on your mobile device (smartphone or tablet). The app can typically be found by scanning a QR code in the instruction manual or searching in your device's app store.

- Ensure Bluetooth is enabled on your mobile device.
- Turn on the assembled technique car.
- Open the BEHOWL app and follow the on-screen prompts to connect to your model via Bluetooth.

## OPERATING INSTRUCTIONS

The BEHOWL Technique Car offers flexible control options through both a physical remote control and a mobile application.

### 1. Remote Control Operation

The 2.4GHz remote control allows for direct manipulation of the assembled model. Use the joysticks or buttons on the remote to control movement, direction, and any specific functions of your chosen model (e.g., tank turret rotation, robot arm movement).

## 2. APP Control Modes

The mobile application provides advanced control and programming capabilities. Once connected via Bluetooth, you can select from four distinct control modes:

- **Remote Control Mode:** Mimics the physical remote control, allowing you to steer and operate the model using virtual joysticks on your screen.
- **Path Mode:** Draw a path on your device's screen, and the model will automatically follow the drawn route.
- **Gravity Sensor Mode:** Control the model's movement by tilting your mobile device, utilizing its built-in gravity sensor.
- **Programming Mode:** A visual programming interface allows you to create custom sequences of movements and actions for your model, fostering logical thinking and coding skills.

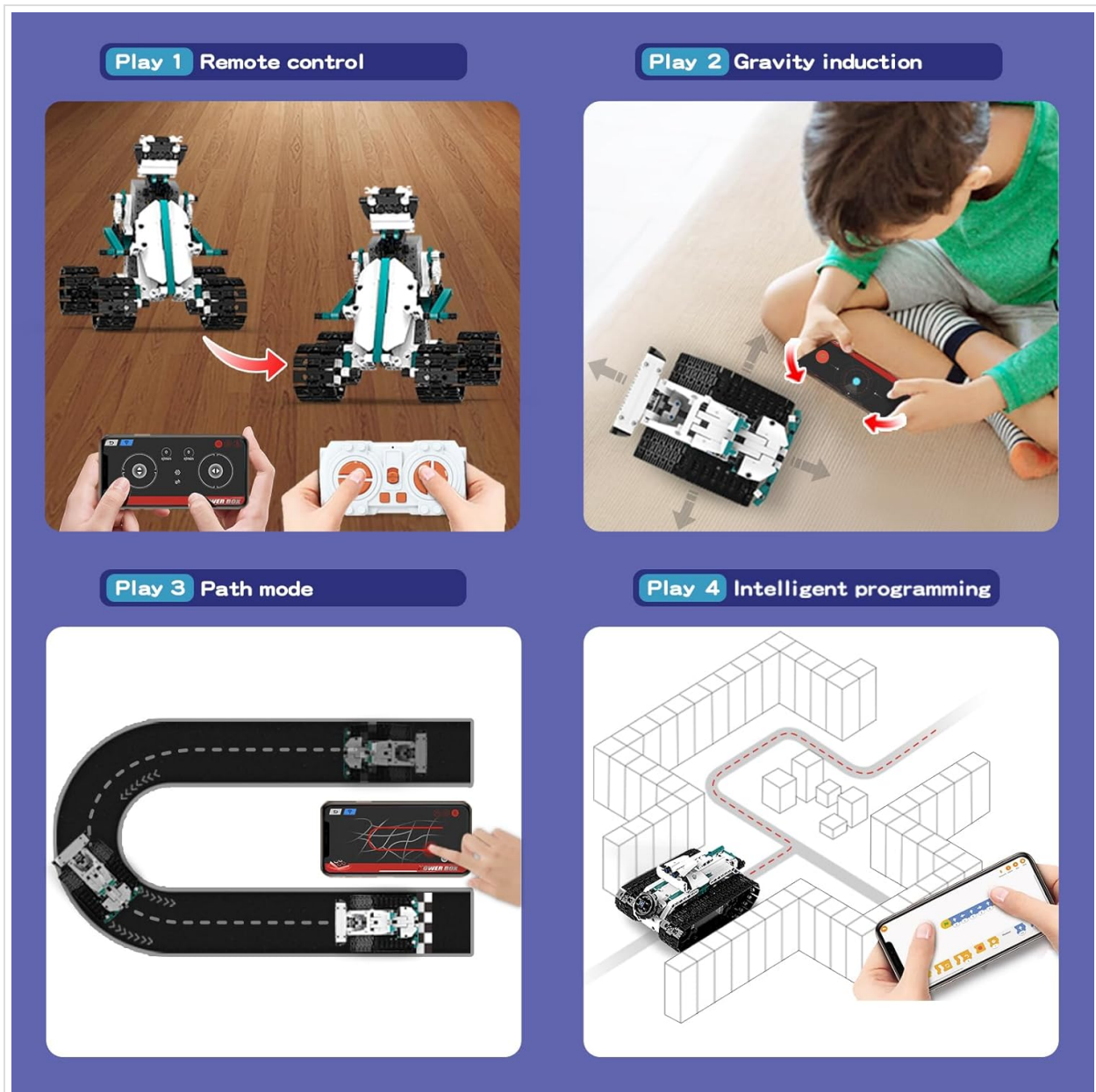


Image: Visual representation of the four different control modes available through the mobile application.

## MAINTENANCE

Proper care and maintenance will extend the lifespan of your BEHOWL building blocks set:

- **Cleaning:** Wipe the blocks and electronic components with a dry, soft cloth. Avoid using water or harsh cleaning agents, as this can damage the electronic parts.
- **Storage:** Store the building blocks and components in a cool, dry place away from direct sunlight and extreme temperatures. Keep them in their original packaging or a suitable storage container to prevent loss of small parts.
- **Battery Care:**
  - Fully charge the rechargeable battery before first use and after each play session.
  - Do not overcharge the battery.
  - If the product will not be used for an extended period, remove batteries from the remote control.
- **Handling:** Handle the assembled models and individual blocks with care to prevent breakage or damage to connectors.

## TROUBLESHOOTING

If you encounter any issues with your BEHOWL building blocks set, refer to the following common problems and solutions:

- **Model Not Moving/Responding:**
  - Check if the main unit's rechargeable battery is fully charged.
  - Ensure the remote control has fresh AAA batteries and they are inserted with correct polarity.
  - Verify that the main unit and remote control are powered on.
  - If using APP control, ensure Bluetooth is enabled on your device and the model is properly connected within the app.
  - Check for any loose connections or incorrectly assembled parts that might be obstructing movement.
- **APP Connection Issues:**
  - Restart the app and the technique car.
  - Ensure your mobile device's Bluetooth is on and within range of the model.
  - Try pairing the device again through the app's connection settings.
- **Parts Missing/Damaged:**
  - Carefully check all packaging materials.
  - Contact BEHOWL customer service for assistance (see Support section).

## WARRANTY AND SUPPORT

BEHOWL is dedicated to providing high-quality products. All products undergo strict testing before shipment. For any questions or concerns regarding your purchase, including warranty information or technical support, please contact BEHOWL customer service.

You can typically find contact information on the product packaging, the official BEHOWL website, or through the retailer where you purchased the product. BEHOWL aims to reply to inquiries within 24 hours and provide satisfactory solutions.

