

Manuals+

[Q & A](#) | [Deep Search](#) | [Upload](#)

manuals.plus /

› [vidaXL](#) /

› [vidaXL Garden Raised Bed Model 319114 Instruction Manual](#)

vidaXL 319114

vidaXL Garden Raised Bed Instruction Manual

Model: 319114

1. INTRODUCTION

This manual provides essential information for the assembly, operation, and maintenance of your vidaXL Garden Raised Bed. Please read these instructions carefully before assembly and use to ensure safe and efficient operation.

The vidaXL Garden Raised Bed is designed to provide an optimal environment for growing flowers, herbs, and vegetables in your outdoor space. Constructed from durable powder-coated steel, it offers resistance to rust and weather damage, ensuring longevity.

2. SAFETY INFORMATION

Always observe the following safety precautions to prevent injury or damage to the product:

- Keep all small parts and packaging materials away from children to prevent choking hazards.
- Wear appropriate personal protective equipment (e.g., gloves) during assembly to avoid cuts or pinches from metal edges.
- Ensure the assembly area is clear and well-lit.
- Do not overload the raised bed with excessive soil or materials, as this may compromise its structural integrity.
- Place the raised bed on a level and stable surface to prevent tipping.
- Periodically check all fasteners to ensure they remain tight.

3. SETUP AND ASSEMBLY

Assembly of the vidaXL Garden Raised Bed requires careful attention to detail. It is recommended to have at least two people for assembly.

3.1. Package Contents

Before starting, verify that all components are present. The package should contain:

- Powder-coated steel panels

- Support bars/braces
- Fasteners (bolts, nuts, washers)
- Instruction manual (this document)

3.2. Tools Required

- Wrench or socket set
- Gloves

3.3. Assembly Steps

1. **Unpack Components:** Carefully remove all parts from the packaging and lay them out on a clean, flat surface. Check against the parts list.
2. **Form the Oval Shape:** Begin by connecting the steel panels to form the oval shape of the raised bed. Ensure the corrugated sides are facing outwards. Use the provided bolts, nuts, and washers to secure the panels together. Do not fully tighten fasteners until all panels are in place.
3. **Install Support Braces:** Attach the internal support bars/braces across the width of the raised bed. These braces provide structural stability. Refer to the diagram for correct placement.
4. **Tighten All Fasteners:** Once all panels and support braces are in position, systematically tighten all bolts and nuts securely. Do not overtighten.
5. **Position the Raised Bed:** Carefully move the assembled raised bed to its desired permanent location. Ensure the ground is level and firm.



Figure 1: Assembled vidaXL Garden Raised Bed in an outdoor environment.

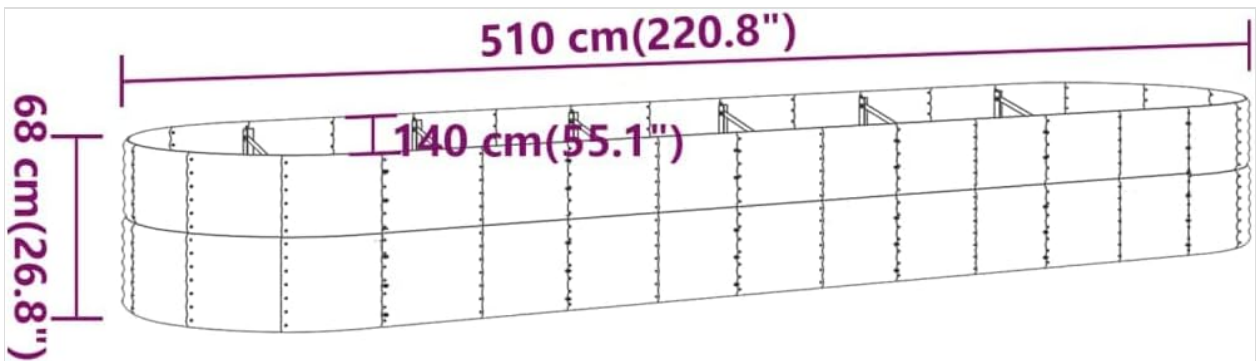


Figure 2: Dimensional overview of the raised bed.

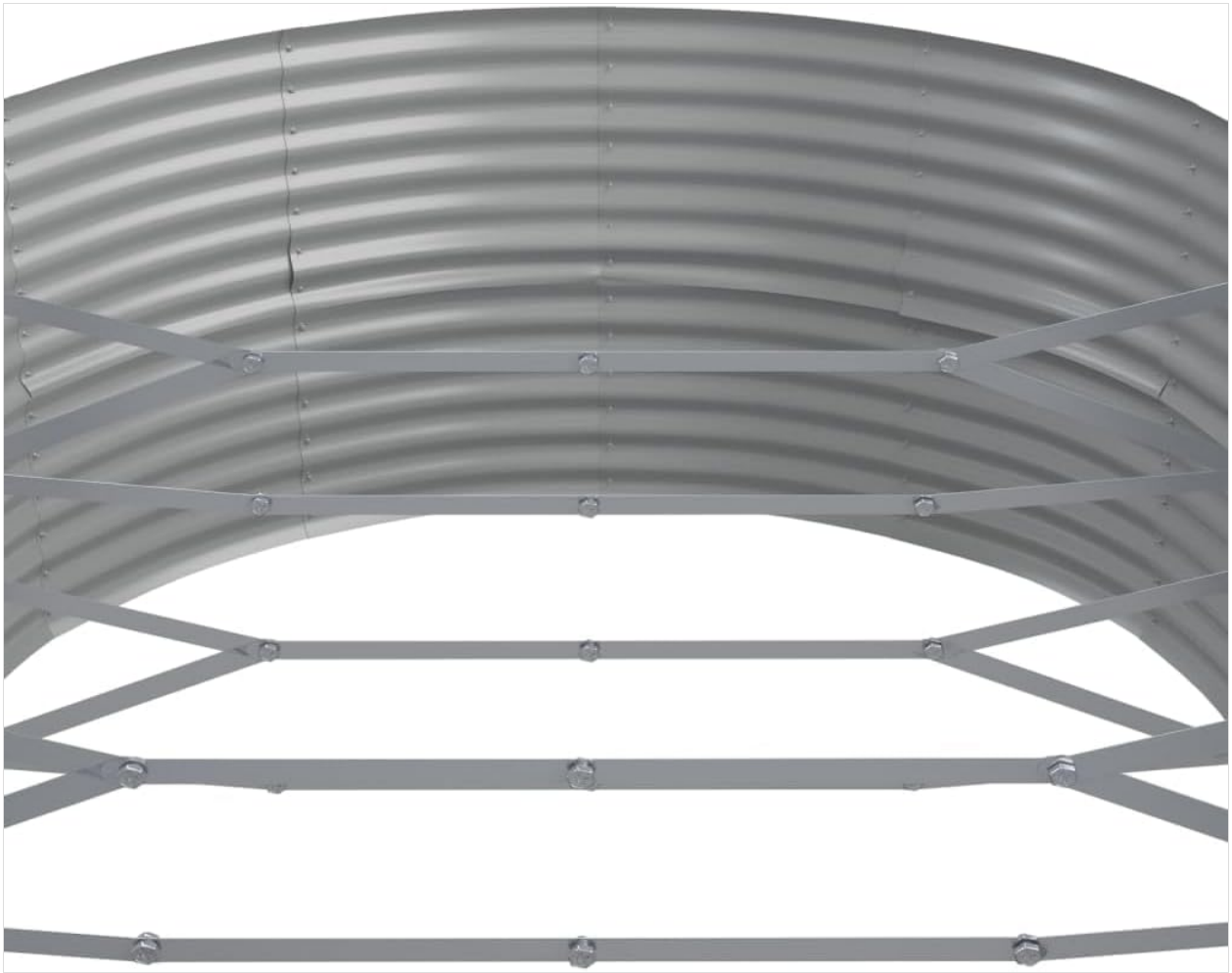


Figure 3: Internal bracing for structural support.

4. OPERATING INSTRUCTIONS

Once assembled and positioned, your raised bed is ready for use.

1. **Prepare the Base:** While the raised bed does not have integrated drainage holes, you can improve drainage by adding a layer of gravel or coarse material at the bottom before adding soil.
2. **Fill with Soil:** Fill the raised bed with a suitable soil mix for your chosen plants. Consider a mix of compost, topsoil, and other amendments to create a rich growing medium.
3. **Planting:** Plant your desired flowers, herbs, or vegetables according to their specific requirements for spacing and depth.
4. **Watering:** Water plants regularly, ensuring the soil remains moist but not waterlogged.

5. MAINTENANCE

Regular maintenance will help prolong the life and appearance of your raised bed.

- **Cleaning:** Wipe the exterior surfaces with a damp cloth as needed to remove dirt and debris. Avoid abrasive cleaners that could damage the powder coating.
- **Inspection:** Periodically inspect the raised bed for any signs of damage, loose fasteners, or rust. Tighten any loose bolts.
- **Winter Care:** In regions with harsh winters, consider emptying the bed or covering it to protect it from extreme weather conditions, although the powder-coated steel is designed for outdoor use.

6. TROUBLESHOOTING

Here are solutions to common issues you might encounter:

Problem	Possible Cause	Solution
Raised bed appears unstable.	Uneven ground; loose fasteners.	Ensure the bed is on a level surface. Tighten all assembly bolts.
Water accumulation in the bed.	Insufficient drainage at the base.	Add a layer of gravel or coarse material before filling with soil to improve drainage.
Difficulty during assembly.	Parts not aligned correctly; fasteners overtightened prematurely.	Review assembly steps. Ensure all parts are loosely fitted before tightening. Seek assistance if needed.

7. SPECIFICATIONS

Key specifications for the vidaXL Garden Raised Bed (Model 319114):

Feature	Detail
Model Number	319114
Material	Powder-Coated Steel (Alloy Steel)
Color	Grey
Shape	Oval
Dimensions (L x W x H)	220.8 x 55.1 x 26.8 inches (510 x 140 x 68 cm)
Item Weight	71.69 lbs (32.52 kg)
Indoor/Outdoor Usage	Outdoor Only
Drainage	No integrated drainage holes
Assembly Required	Yes

8. WARRANTY INFORMATION

For detailed warranty information regarding your vidaXL Garden Raised Bed, please refer to the warranty card included with your purchase or visit the official vidaXL website. Keep your proof of purchase for any warranty claims.

9. CUSTOMER SUPPORT

If you have any questions, require assistance with assembly, or need to report a missing/damaged part, please contact vidaXL customer support through their official website or the retailer from whom you purchased the product.

You can visit the vidaXL store on Amazon for more information:[vidaXL Store](#)