



[Manuals.plus](#) /

› [HOOBRO](#) /

› HOOBRO Bar Cart User Manual

## HOOBRO GD11TC01

# HOOBRO Bar Cart User Manual

Model: GD11TC01

## INTRODUCTION

This manual provides essential information for the assembly, operation, and maintenance of your HOOBRO 2-Tier Kitchen Cart with Wine Rack and Glass Holder. Please read this manual thoroughly before assembly and use to ensure safe and efficient operation of the product. Keep this manual for future reference.



Image: The HOOBRO Bar Cart, showcasing its two tiers, wine rack, and glass holders, fully stocked with beverages and glassware.

## SAFETY INFORMATION

To prevent injury or damage to the product, adhere to the following safety guidelines:

- Do not put overweight items on the product. The maximum static load capacity for both the top and bottom shelves is 15 kg (33 lbs) each.
- Children are not allowed to climb on or play with the product for safety reasons.

- Ensure all parts are securely fastened before use.
- Place the cart on a stable, level surface.

## PACKAGE CONTENTS AND PARTS LIST

---

Before assembly, verify that all components listed below are present and undamaged. If any parts are missing or damaged, please contact customer support.

- 1 x Bar Cart Frame (disassembled)
- 1 x Accessory Kit (includes screws, nuts, and tools)
- 1 x Instructions Manual (this document)
- Components for wine rack and glass holders
- 4 x Universal Wheels (2 lockable)

## SETUP AND ASSEMBLY

---

The HOOBRO Bar Cart is designed for straightforward assembly. Follow the detailed assembly guide provided in the accessory kit. No special tools are required beyond those included.

1. **Unpack and Identify Parts:** Carefully remove all components from the packaging. Lay them out on a clean, soft surface to prevent scratches. Refer to the parts list in the separate assembly guide to identify each component.
2. **Assemble the Frame:** Connect the main frame components using the provided screws and tools. Ensure all connections are firm but do not overtighten until the entire frame is assembled.
3. **Attach Shelves and Holders:** Secure the top and bottom mesh shelves. Install the wine rack and glass holders as indicated in the assembly instructions.
4. **Install Wheels:** Attach the four universal wheels to the base of the cart. Ensure the two lockable wheels are positioned as per the instructions for easy access.
5. **Final Tightening:** Once all components are in place, systematically tighten all screws to ensure the cart is stable and secure.

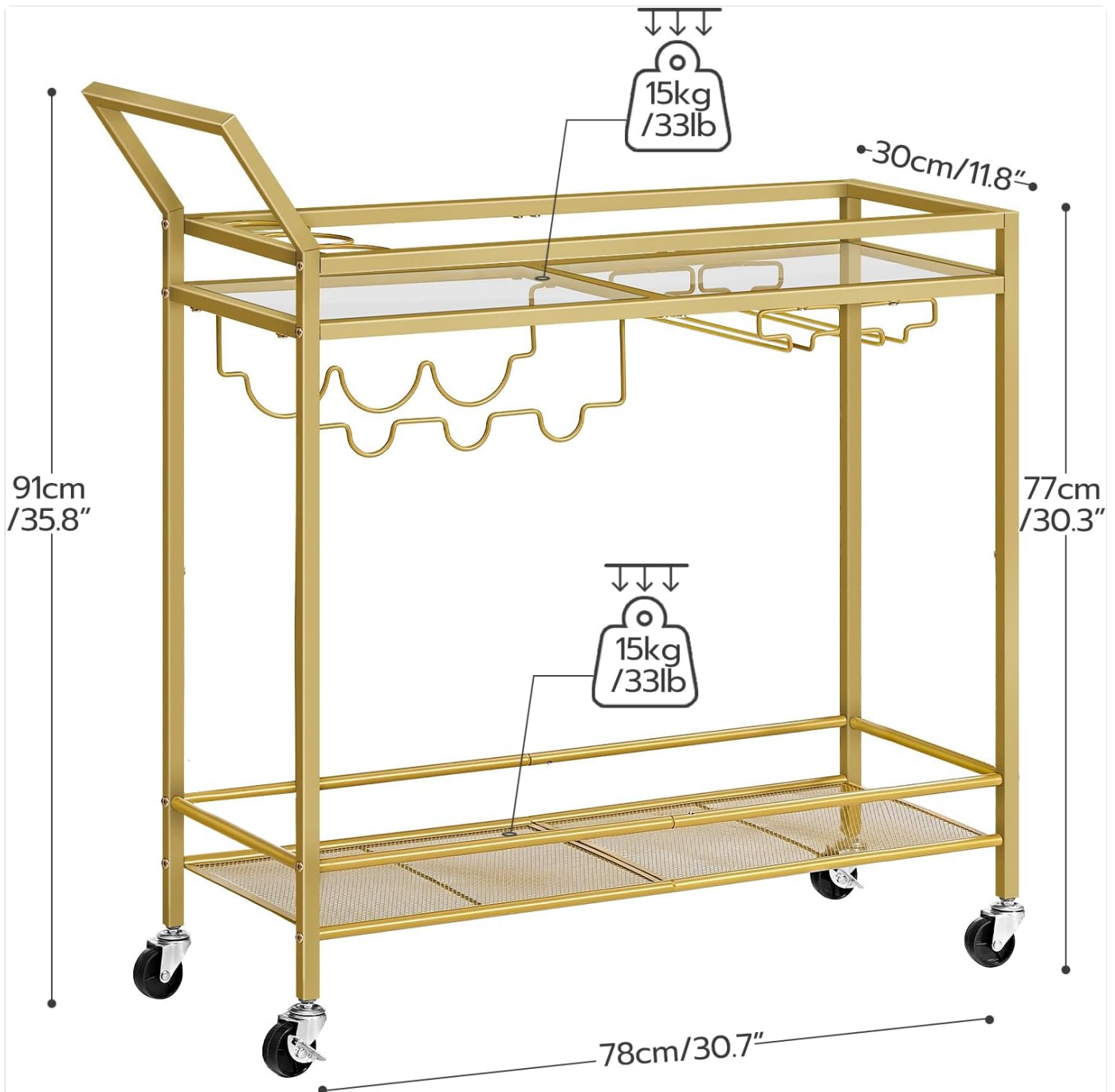


Image: A close-up view of the universal wheels, highlighting their design for free movement and the locking mechanism for stability.

## OPERATING INSTRUCTIONS

Your HOOBRO Bar Cart is designed for versatile use in various settings.

- **Storage Capacity:**

The top tier is suitable for fruit trays, dishes, and other serving items. It includes a dedicated wine rack designed to hold up to 3 bottles horizontally. The bottom tier provides ample space for pastries, ingredients, and larger bottles. Two rows of cup holders are integrated to securely hang up to 6 goblets.



**X6**

## **Cup Holders**

Two rows of cup holders, holding 6 goblets.

Image: Detail of the integrated cup holders, designed to securely hang up to six wine goblets.

- **Mobility and Stability:**

The cart features a convenient side handle for easy maneuvering. Equipped with four noise-reduction wheels, including two lockable ones, the cart can be freely moved to any desired location or securely fixed in place. The handle can also be used to hang towels or other small items.

## Side Handle

Smooth in touch and convenient in moving.



Image: A close-up showing the side handle for easy movement and the stable design for secure storage of items.

- **Protective Rails:**

Both the top and bottom mesh shelves are fitted with protective rails. These rails are designed to prevent items, especially bottles and glassware, from rolling off the cart during movement or while stationary.

# Protective Fence

Heightened rails to avoid items from falling.



Image: A detailed view of the heightened protective rails on the shelves, designed to prevent items from falling.

## MAINTENANCE

Regular maintenance will help preserve the appearance and functionality of your bar cart.

- **Cleaning:** Wipe down the surfaces with a soft, damp cloth. For stubborn stains, a mild soap solution can be used, followed by drying with a clean cloth. The smooth finish allows for effortless cleaning of every corner.
- **Inspection:** Periodically check all screws and connections to ensure they remain tight. Retighten if necessary.
- **Wheel Care:** Keep the wheels free of debris to ensure smooth movement.

## TROUBLESHOOTING

If you encounter any issues with your HOOBRO Bar Cart, refer to the following common solutions:

- **Cart is Unstable/Wobbly:**

Ensure all screws are fully tightened. Check that the cart is placed on a flat, level surface. If wheels are locked, unlock them and re-lock to ensure proper engagement.

- **Wheels Not Rolling Smoothly:**

Check for any debris (hair, dust, etc.) caught in the wheels and remove it. Ensure the lockable wheels are disengaged if you intend to move the cart.

- **Items Sliding Off Shelves:**

Confirm that the protective rails are correctly installed and intact. Avoid placing items that exceed the shelf dimensions or weight capacity.

For issues not covered here, please contact HOOBRO customer support.

## SPECIFICATIONS

Feature	Detail
Brand	HOOBRO
Model Number	GD11TC01 (EGD11TC01)
Color	Gold
Product Dimensions (L x W x H)	78 x 30 x 91 cm (30.7 x 11.8 x 35.8 inches)
Product Weight	7.1 kg (15.6 lbs)
Material	Particleboard and Metal (Engineered Wood, Metal)
Max. Static Load Capacity (Top Shelf)	15 kg (33 lbs)
Max. Static Load Capacity (Bottom Shelf)	15 kg (33 lbs)
Special Features	Portable, Wheels, Wine Rack, Glass Holder, Protective Rails

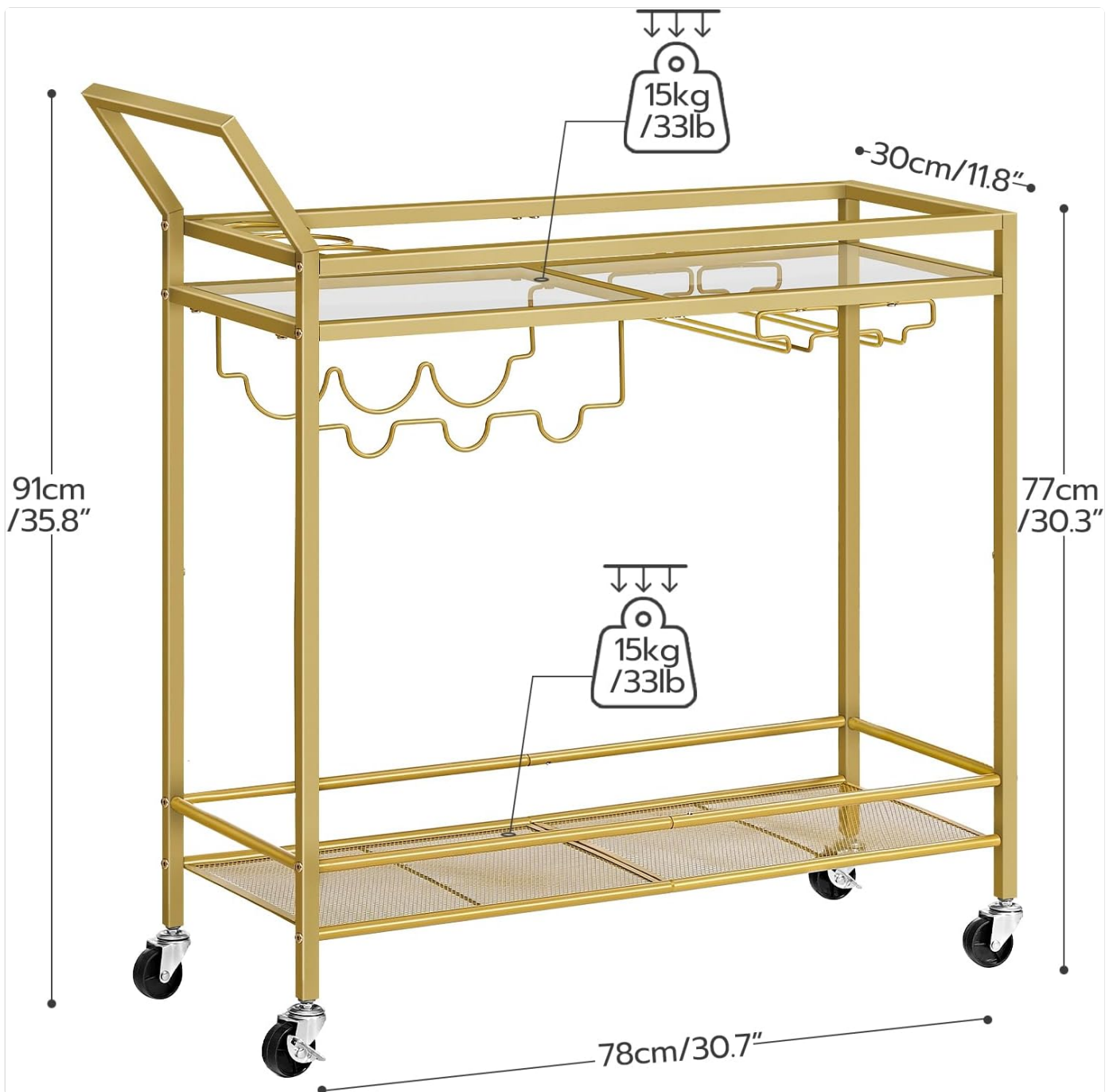


Image: A technical diagram illustrating the precise dimensions of the bar cart in centimeters and inches.

## WARRANTY AND SUPPORT

For any questions, concerns, or support needs regarding your HOOBRO Bar Cart, please contact HOOBRO customer service. Refer to your purchase documentation for specific warranty details, if applicable.

You can visit the official HOOBRO store for more information: [HOOBRO Store on Amazon](#)