



[Manuals.plus](#) /

› [EaseLife](#) /

› EaseLife 30x80in Pocket Door Frame Kit Installation and User Manual

EaseLife 0503

EaseLife 30x80in Pocket Door Frame Kit Installation and User Manual

Brand: EaseLife | Model: 0503

INTRODUCTION

This manual provides detailed instructions for the installation, operation, and maintenance of your EaseLife 30x80in Pocket Door Frame Kit. This kit is designed for 2x4 stud walls and includes a two-way soft close mechanism for smooth and quiet door operation. Please read all instructions carefully before beginning installation.

PRODUCT OVERVIEW

The EaseLife Pocket Door Frame Kit allows a door to slide into a wall cavity, saving space and providing a clean aesthetic. The integrated soft close mechanism ensures the door closes gently and silently in both directions.

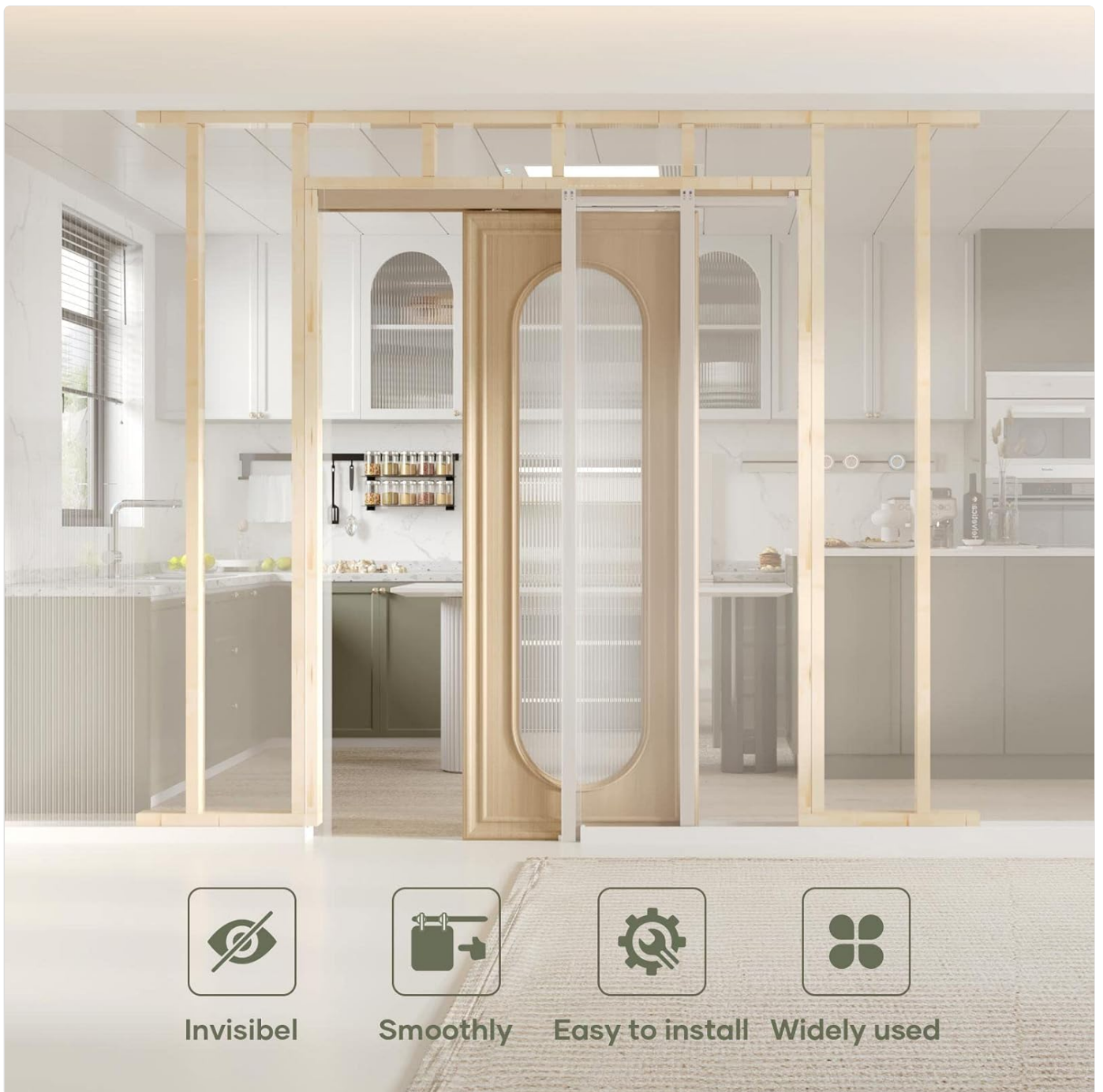


Image: An installed pocket door frame kit with a door partially open, demonstrating the invisible design and smooth operation.

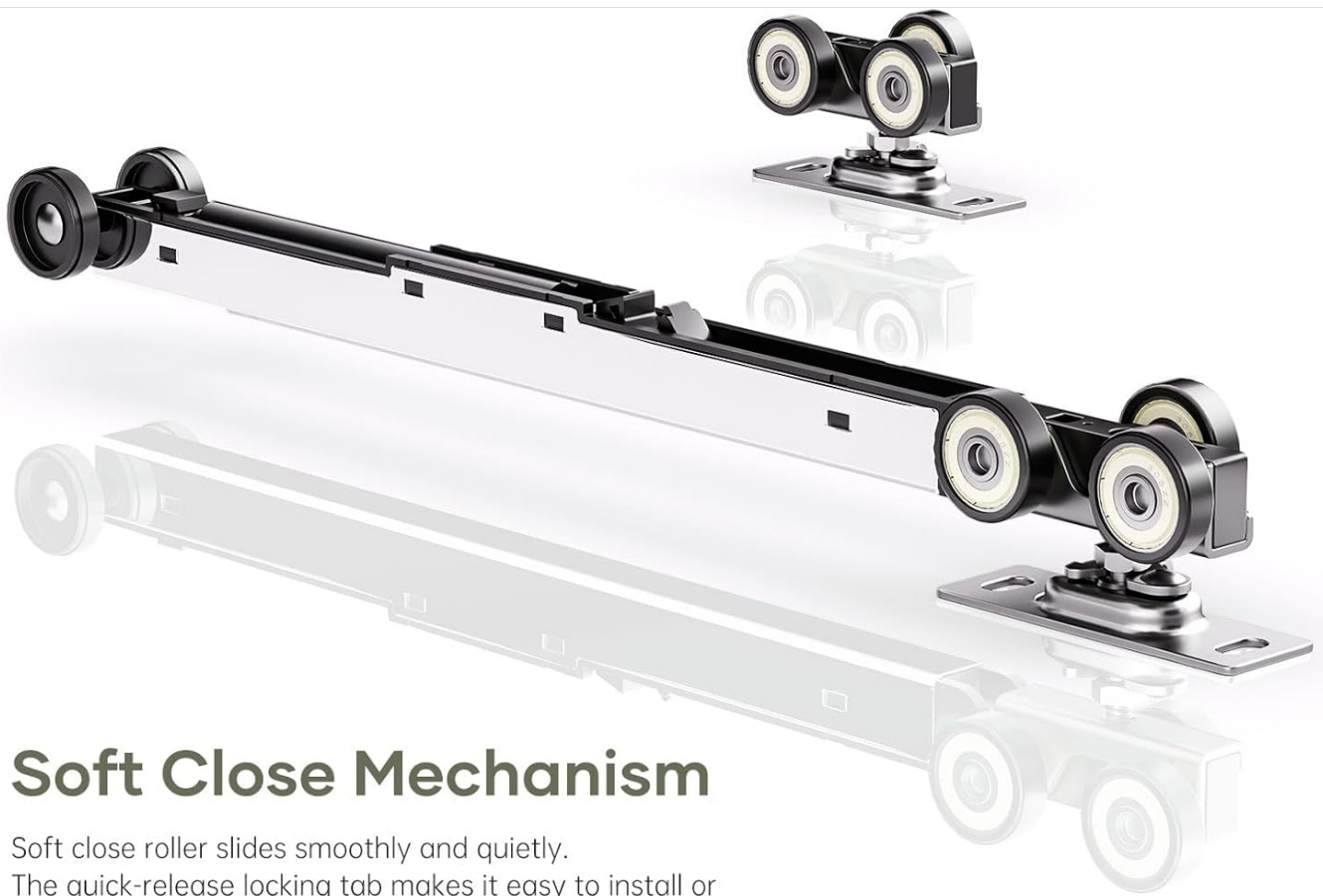
Invisible Design



Hanging pocket door slide into the wall, making the space more complete and amplifying the sense of space.



Image: A side-by-side comparison showing a pocket door in both open and closed positions, illustrating its space-saving and invisible design when recessed into the wall.



Soft Close Mechanism

Soft close roller slides smoothly and quietly.
The quick-release locking tab makes it easy to install or remove the door without the need to run the door panel off the rail.



Image: A close-up view of the soft close mechanism and rollers, emphasizing the smooth and quiet operation of the pocket door.

PACKAGE CONTENTS

The EaseLife 30x80in Pocket Door Frame Kit includes the following components. Please verify all parts are present before beginning installation. **Note: Door panel is NOT included.**

- 1 x 60" Aluminum Track with Wood Slot
- 4 x Square Uprights for 80" Door
- 1 x Double-Sided Soft Close Mechanism
- 1 x Set of Rollers
- 2 x Door Stops

Package List

Door not included,
track can be cut to fit 24"x80"-30"x80" door

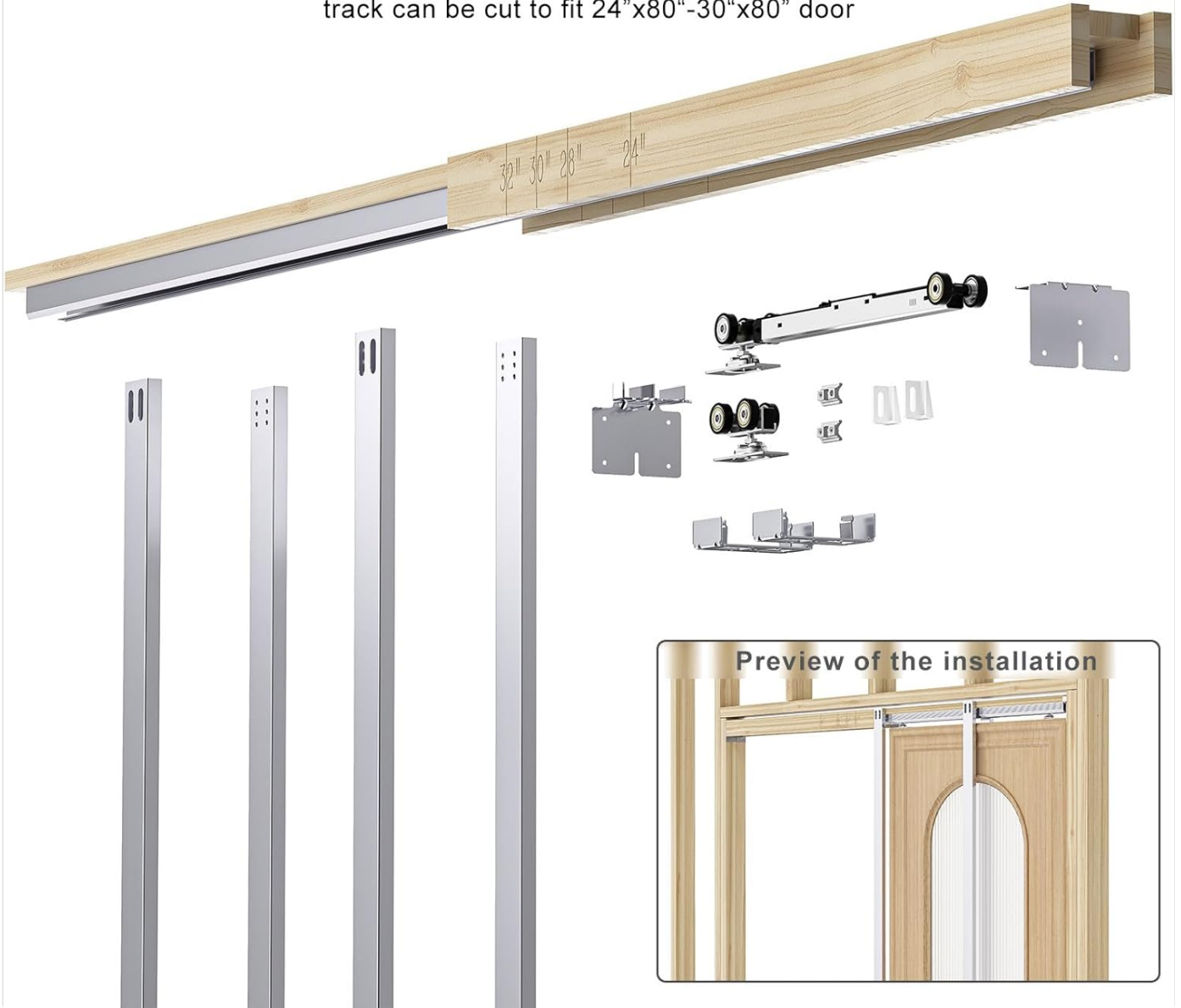


Image: An exploded view of all components included in the pocket door frame kit, including the aluminum track, uprights, soft close mechanism, rollers, and door stops.

SPECIFICATIONS

Feature	Detail
Model Number	0503
Door Width Compatibility	24" - 30"
Door Height Compatibility	80"
Door Thickness Compatibility	1" - 1-3/4" (25mm - 45mm)
Door Weight Capacity	88 lbs (40 kg)
Wall Stud Compatibility	2x4 Studs

Track Length	60" (can be cut)
Material	Aluminum
Soft Close Mechanism	Two-way, double-sided

Rough opening width: $2 \times \text{door width} + 1''$

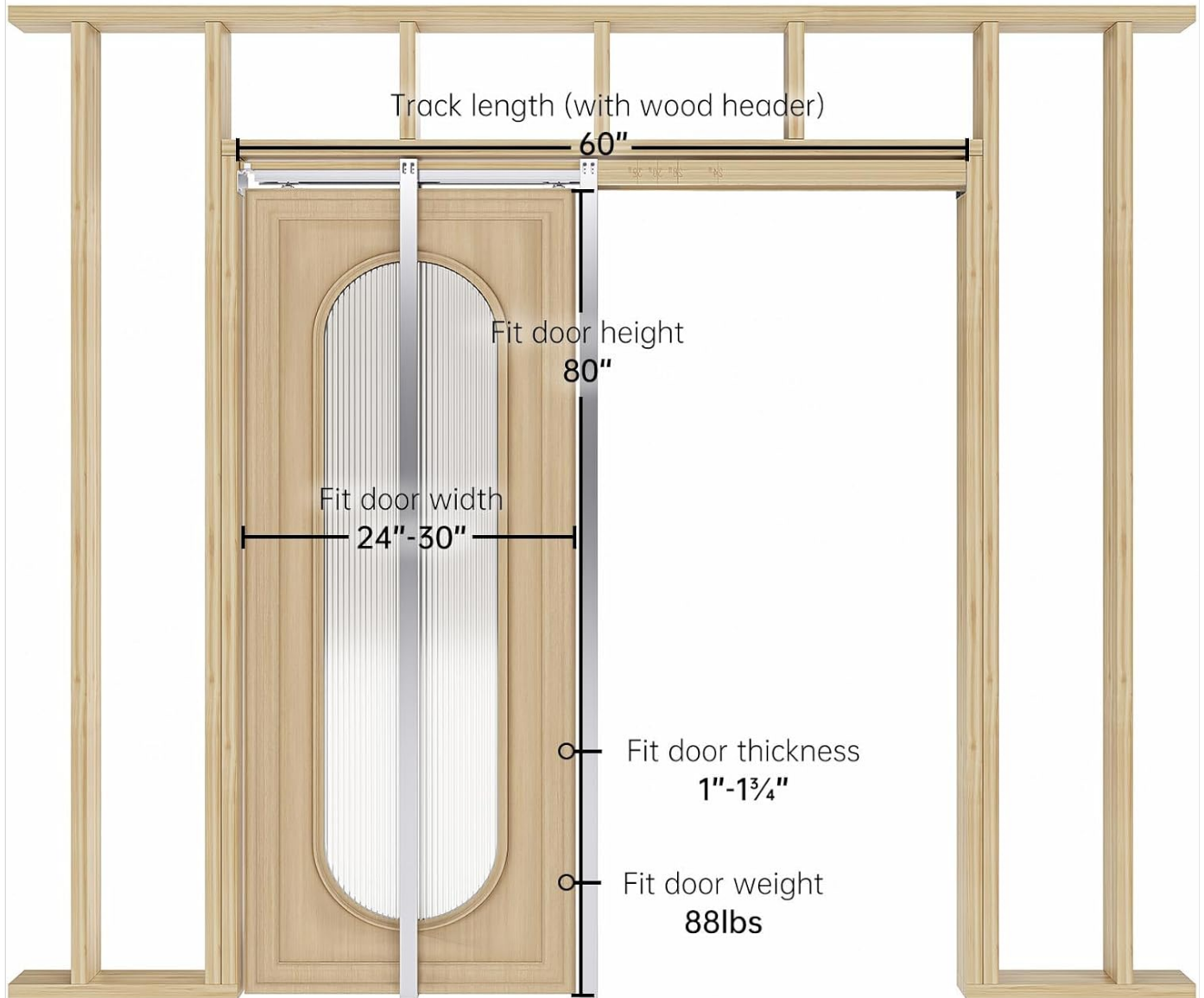


Image: A diagram illustrating the required rough opening width ($2 \times \text{door width} + 1''$) and height (door height + $4\text{-}1/2''$), along with compatible door width, height, thickness, and weight capacity.

INSTALLATION INSTRUCTIONS

Follow these steps carefully for proper installation of your pocket door frame kit. It is recommended to watch the official installation video for visual guidance.

Your browser does not support the video tag.

Video: Official EaseLife Pocket Door Frame Kit Installation Guide. This video provides a step-by-step visual walkthrough of the entire installation process, from preparing the rough opening to mounting the door and finishing the trim.

Step 1: Construct Rough Opening

Prepare the wall framing for the pocket door. The minimum height for the rough opening should be the door height plus 4-1/2 inches (114mm). The width should be 2 times the door width plus 1 inch (25mm).

Step 2: Measure for Frame Header End Brackets

Mark the position for the frame header end brackets. Set a nail at the door height plus 3/4" from the finished floor, or door height plus 1-1/2" from the sub-floor. Ensure a 1/8" gap as shown in the video.

Step 3: Snap a Chalk Line

Snap a chalk line on the floor to guide the placement of the split steel studs, ensuring proper alignment for the pocket door.

Step 4: Attach Frame Header to Rough Studs

Secure the frame header to the rough studs. Use a level to ensure the header is perfectly horizontal. If using a door size other than the standard, refer to the cutting instructions section.

Step 5: Attach Split Steel Studs

Attach the split steel studs to the frame header and secure them to the floor along the chalk line. Ensure they are plumb and evenly spaced.

Step 6: Insert Hanger Assembly and Soft Open/Close Mechanism

Insert the hanger assembly and the soft open/close mechanism into the track. Ensure the dampener is engaged for proper soft close function. Alternate wheel positions for even weight distribution.

Soft Close Mechanism

- Ensure quiet and safe operation **by dampening** door opening/closing action.
- The **quick-release locking** tab makes it easy to **install or remove** the door without the need to run the door panel off the rail.

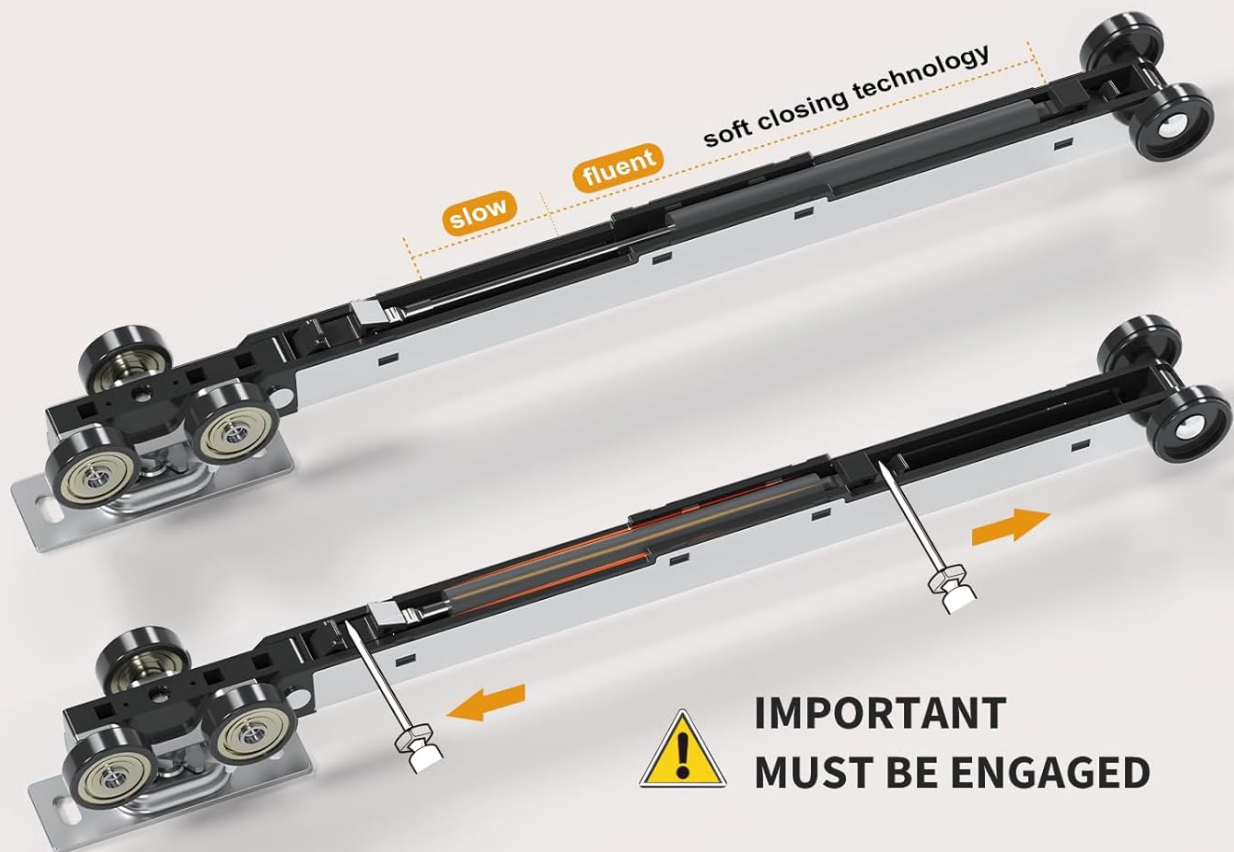


Image: A detailed view of the soft close mechanism, highlighting the engagement point for proper functionality. It is crucial to ensure the dampener is engaged.

Step 7: Apply Desired Wall Material

Once the frame is securely installed, apply your desired wall material (e.g., drywall) over the frame. Use self-tapping 1" screws for drywall (not included).

Step 8: Seal All Edges

Seal all edges of the wall material around the pocket door opening to prepare for finishing.

Step 9: Mount Door Plates and Mount Door

Attach the door plates to the top edge of your door panel, ensuring they are centered and securely fastened. Then, carefully lift and mount the door onto the hanger assembly in the track. Repeat for the other side if applicable.

Step 10: Install Finished Jambs, Split Headers, and Casing

Install the finished jambs, split headers, and casing around the pocket door opening. Use self-tapping 1-5/8" screws for finish trim (not included). Ensure a 3/16" (5mm) gap between the door and the jambs for smooth operation.

Step 11: Fasten Door Guides

Fasten the door guides to the floor at the bottom of the door opening. These guides prevent the door from swinging out of the pocket. Ensure a 3/16" (5mm) gap between the door and the guides.

Cutting Instructions for Pocket Door Frame Header

The track and wood slot kit can be cut to fit door panels from 24" to 30" wide. No cutting is needed for a 36" standard door. For other standard door sizes (24", 28", 30", 32"), cutting lines are marked on the wood header.

1. Remove the adjustable end bracket.
2. At the marked line for your door size, cut the wood header ONLY.
3. Turn the header assembly over and cut the metal track 1 3/8" shorter than the wood header cut.
4. Replace the adjustable end bracket on the newly cut end of the header.
5. Cut the header trim board ONLY at the proper mark. Remove the cut-off end and discard.
6. Cut the header trim board ONLY on the other side at the proper mark.

For special door sizes, calculate the rough opening width as: $2 \times \text{door width} + 1"$. Then follow the cutting steps above, adjusting measurements accordingly.

OPERATING INSTRUCTIONS

Your EaseLife Pocket Door Frame Kit features a two-way soft close mechanism. To operate, simply slide the door. As the door approaches the fully open or fully closed position, the soft close mechanism will engage, gently slowing the door and pulling it into its final position. This ensures quiet operation and prevents slamming.

MAINTENANCE

- **Cleaning:** Wipe the track and door surfaces with a soft, damp cloth. Avoid abrasive cleaners.
- **Lubrication:** Periodically check the rollers for smooth operation. If needed, apply a silicone-based lubricant to the roller bearings. Do not use oil-based lubricants as they can attract dust.
- **Inspection:** Regularly inspect all fasteners and components to ensure they are secure. Tighten any loose screws.

TROUBLESHOOTING

Door does not slide smoothly:

Check the track for any obstructions. Ensure rollers are clean and lubricated. Verify that the door guides are properly aligned and not causing friction.

Soft close mechanism not engaging:

Ensure the dampener is correctly engaged as shown in the installation video (Step 6). Check for any debris obstructing the mechanism.

Door is rubbing against the frame:

Verify that the rough opening dimensions were correctly constructed and that the finished jambs and casing maintain the recommended 3/16" (5mm) gap. Adjust door plates or hangers if necessary.

WARRANTY & SUPPORT

EaseLife specializes in sliding door products and hardware. If any parts are missing or broken, please contact EaseLife customer service. They are available 24 hours a day to assist with your problems and provide professional installation guidance.

For further assistance, please visit the [EaseLife Store on Amazon](#).