

Manuals+

[Q & A](#) | [Deep Search](#) | [Upload](#)

Manuals.plus /

› [FAMAPY](#) /

› FAMAPY Extendable TV Console Table User Manual - Model Up to 103 inch

FAMAPY Up to 103 inch

FAMAPY Extendable TV Console Table User Manual

Model: Up to 103 inch

1. SAFETY INFORMATION

Please read and understand all safety instructions before assembly and use. Failure to follow these instructions may result in injury or product damage.

- Always assemble this product with care, following the instructions provided.
- This product may contain sharp edges. Handle components carefully during assembly.
- The unit can tip over if not assembled properly or if overloaded. Ensure all connections are secure.
- Keep all small parts and packaging materials away from children and pets to prevent choking hazards.
- Do not stand or climb on the unit.
- Place the unit on a flat, stable surface.

2. PRODUCT OVERVIEW

The FAMAPY Extendable TV Console Table is a modern entertainment center designed for versatile living room storage. Its extendable design allows for adjustable length to fit various spaces and needs.

Key Features:

- **Extendable Design:** Adjusts from 65.4 inches to 106.3 inches in width.
- **Ample Storage:** Features 3 spacious drawers and 2 open shelves.
- **Durable Construction:** Made from P2 particle board for stability.
- **Modern Aesthetic:** Clean lines and a smooth white finish.



Image 2.1: The FAMAPY Extendable TV Console Table shown in a living room setting, demonstrating its fully extended configuration with a television mounted above.



Image 2.2: The TV console table in a living room, showcasing its adjustable length and modern design. The unit is partially extended, revealing additional shelf space.

Your browser does not support the video tag.

Video 2.1: An official product video demonstrating the features and functionality of the FAMAPY Extendable TV Console Table, including its extendable mechanism and storage options.

3. PACKAGE CONTENTS

Before beginning assembly, ensure all parts and hardware are present and undamaged. Refer to the included assembly instructions for a detailed list of components. Each piece is labeled for easy identification.

- All necessary boards and panels (labeled A, B, C, etc.)
- All required hardware (screws, dowels, cam locks, drawer slides, etc.)
- Assembly instruction manual

4. SETUP AND ASSEMBLY INSTRUCTIONS

Assembly of this TV console requires two people for stability and ease. Follow the step-by-step instructions

provided in the separate assembly manual included in your package. Pay close attention to each diagram and label.

Important Assembly Tips:

- **Preparation:** Clear a spacious area for assembly. Lay out all components on a soft, clean surface to prevent scratches.
- **Identify Parts:** Match each board and hardware piece to its corresponding label in the instruction manual.
- **Gentle Installation:** Assemble the item gently to avoid damage. Do not overtighten screws.
- **Two-Person Assembly:** This is highly recommended to ensure stability and prevent misalignment, especially when handling larger panels.
- **Check Stability:** After assembly, ensure all connections are tight and the unit is stable before placing items on it.



Image 4.1: A close-up view of the heightened base with a middle support leg, illustrating the structural design for stability.

5. OPERATING INSTRUCTIONS

This TV console features an extendable design and functional drawers for storage.

Extending the Unit:

- To extend the TV console, gently pull the side sections outwards from the central unit.
- The unit can be adjusted to any length between 65.4 inches and 106.3 inches.
- Ensure the extended sections are evenly supported and stable before placing heavy items on them.

Using the Drawers:

- The three drawers provide enclosed storage for media accessories, remotes, or other items.
- Pull the drawers gently to open and push firmly to close.
- Avoid overloading drawers to ensure smooth operation and prevent damage to the slides.



Image 5.1: A top-down view of the TV console with all three drawers open, illustrating the internal storage capacity for various items.



Image 5.2: A detailed view of an open drawer, highlighting its construction and depth for storing items.



Image 5.3: A close-up of one of the open shelves, demonstrating its use for displaying books or decorative objects.

6. MAINTENANCE AND CARE

Proper care will help maintain the appearance and longevity of your FAMAPY TV Console Table.

- **Cleaning:** Wipe the surface with a dry, soft cloth. Avoid using harsh chemicals, abrasive cleaners, or excessive moisture, as these can damage the finish.
- **Spills:** Immediately wipe up any spills with a dry cloth to prevent staining or damage to the engineered wood.
- **Sunlight:** Avoid prolonged exposure to direct sunlight to prevent fading or discoloration.
- **Heat:** Do not place hot items directly on the surface. Use coasters or protective pads.
- **Periodic Check:** Periodically check all screws and connections to ensure they remain tight. Retighten if necessary.

7. TROUBLESHOOTING

If you encounter issues during assembly or use, refer to these common troubleshooting tips.

Common Issues:

- **Missing Parts:** Double-check the package contents against the parts list in the assembly manual. If parts are genuinely missing, contact customer support.
- **Difficulty Assembling:** Ensure you are following the instructions step-by-step. Verify that you are using the correct hardware for each step. Sometimes, parts may appear similar but have subtle differences.
- **Unit is Wobbly:** Ensure all screws and fasteners are fully tightened. Check that the unit is placed on a level surface. Adjust the extendable sections to ensure they are properly aligned and supported.
- **Drawers Not Sliding Smoothly:** Check that the drawer slides are installed correctly and are free of obstructions. Ensure the drawer box is assembled squarely.
- **Scratches/Damage During Assembly:** Handle all components with care. If minor scratches occur, touch-up pens or furniture markers may be used for cosmetic repair.

8. SPECIFICATIONS

Detailed specifications for the FAMAPY Extendable TV Console Table.

Brand	FAMAPY
Model	Up to 103 inch
Material	Engineered Wood
Color	White
Overall Dimensions (Min. Width)	65.4" (W) x 15.7" (D) x 15.4" (H)
Overall Dimensions (Max. Width)	106.3" (W) x 15.7" (D) x 15.4" (H)
Item Weight	Approximately 200 pounds
Number of Drawers	3
Number of Shelves	2 (open shelves)
Assembly Required	Yes (2-person assembly recommended)

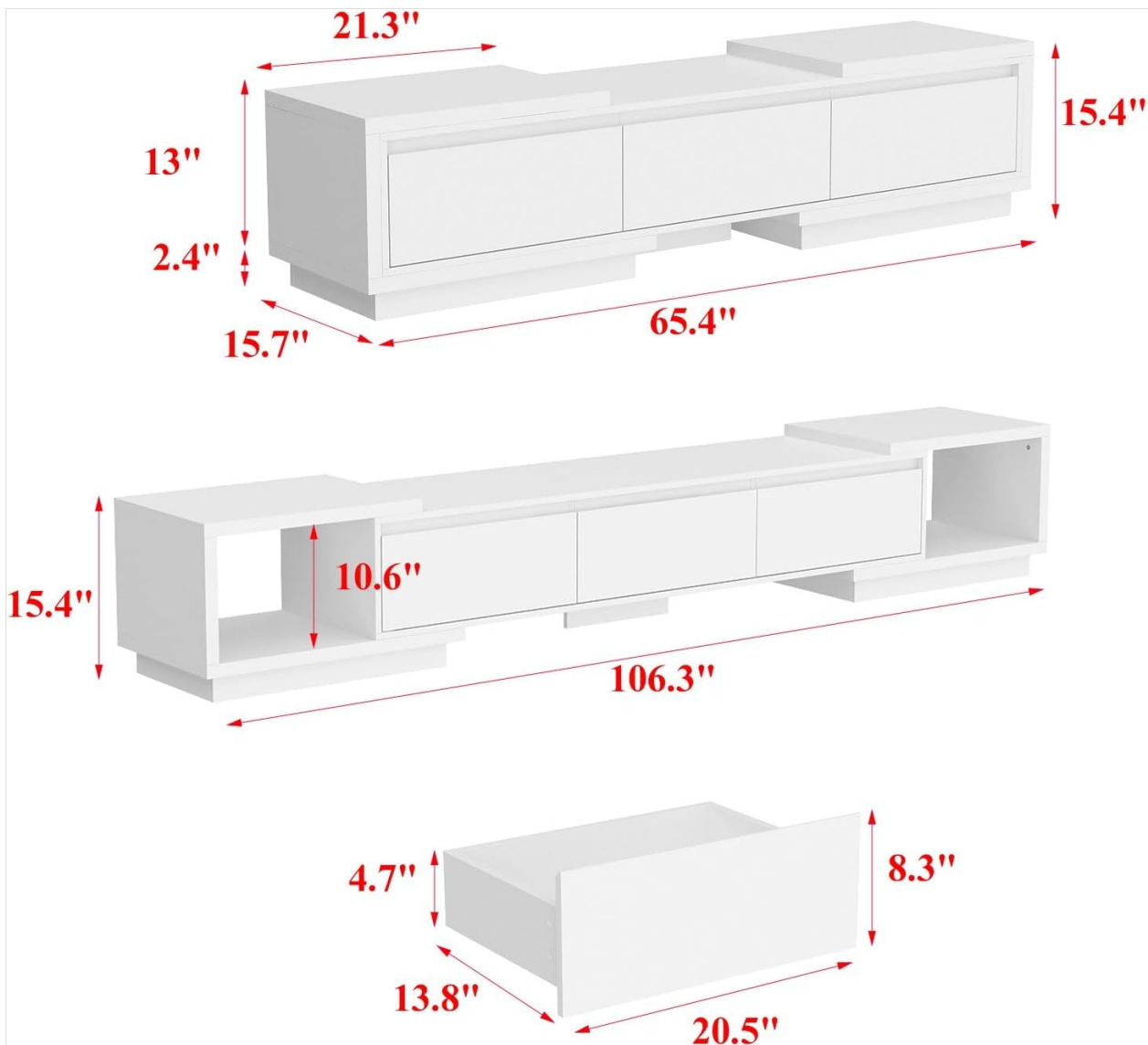


Image 8.1: A technical drawing illustrating the dimensions of the TV console in both its compact and extended states, along with drawer dimensions.

9. WARRANTY AND SUPPORT

FAMAPY is committed to providing quality products and customer satisfaction.

Warranty Information:

Please refer to the specific warranty documentation included with your purchase for details regarding coverage and duration. Generally, products are covered against manufacturing defects.

Customer Support:

If you have any questions, require assistance with assembly, or need to report missing/damaged parts, please contact FAMAPY customer service. Contact information can typically be found on the packaging, the original purchase receipt, or the FAMAPY official website.

When contacting support, please have your product model (Up to 103 inch) and purchase details readily available.

