



Manuals.plus /

› Kanto /

› Kanto DML1000 Single Monitor Desktop Arm Instruction Manual

Kanto DML1000

Kanto DML1000 Single Monitor Desktop Arm

Instruction Manual

INTRODUCTION

This manual provides detailed instructions for the safe and efficient installation, operation, and maintenance of your Kanto DML1000 Single Monitor Desktop Arm. Please read this manual thoroughly before installation and retain it for future reference.

IMPORTANT SAFETY INFORMATION

WARNING: Failure to read and follow these instructions may result in serious personal injury, property damage, or voiding of your warranty. If you do not understand these instructions or have doubts about the safety of the installation, please contact Kanto Customer Support.

- Do not install this product if the desk surface is not structurally sound or if there are hidden obstructions such as electrical wiring or plumbing.
- Ensure the monitor weight and size are within the specified limits (17" to 34" monitors, up to 22.1 lbs / 10 kg). Exceeding these limits may result in instability and potential injury.
- Always use two people for lifting and positioning the monitor during installation to prevent injury.
- Tighten all screws firmly but do not overtighten. Overtightening can damage the screws or the mounting surface.
- Keep all small parts and packaging materials out of reach of children.

PACKAGE CONTENTS

Verify that all components are present and undamaged before beginning installation. If any parts are missing or defective, contact Kanto Customer Support.

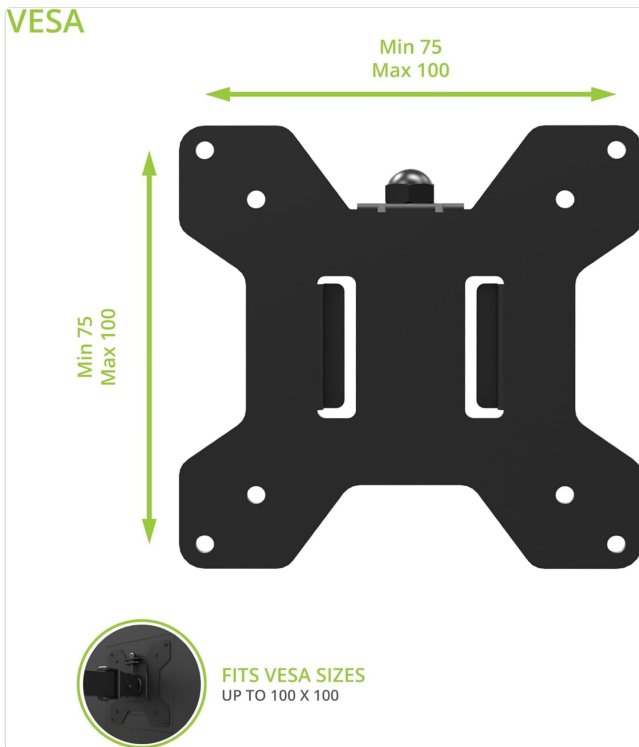


Image: Overview of the Kanto DML1000 monitor stand and its main components.

Your package should include:

- Monitor Arm Assembly
- Desk Clamp Assembly
- Grommet Mount Hardware
- VESA Monitor Plate
- Cable Management Clips
- Assorted Screws and Washers for Monitor Attachment
- Hex Keys for Adjustment

SETUP AND INSTALLATION

The DML1000 offers two installation methods: desk clamp and grommet mount. Choose the method best suited for your desk.

1. Desk Clamp Installation

1. Attach the desk clamp to the main pole of the monitor arm.
2. Position the monitor arm assembly on the edge of your desk. Ensure the desk thickness is between 0.4" and 2.8" (10mm and 70mm).
3. Tighten the clamp screw until the arm is securely fastened to the desk. Do not overtighten.

2. Grommet Mount Installation

1. If your desk has a grommet hole, insert the grommet bolt through the hole from the top.
2. From underneath the desk, attach the grommet plate and tighten the nut onto the bolt until the arm is secure.

3. Attaching the Monitor

The DML1000 features a detachable VESA monitor plate for easier installation.



Image: VESA mounting plate showing 75mm and 100mm hole patterns.



Image: Illustration of the detachable monitor plate and desk clamp/grommet mounting options.

1. Remove the VESA plate from the monitor arm by sliding it upwards.
2. Attach the VESA plate to the back of your monitor using the appropriate screws and washers provided. Ensure your monitor has VESA 75x75mm or 100x100mm mounting holes.
3. With assistance, carefully slide the monitor (with the attached VESA plate) onto the monitor arm until it clicks securely into place.

OPERATING INSTRUCTIONS

The DML1000 allows for various adjustments to achieve an ergonomic viewing experience.

Height Adjustment

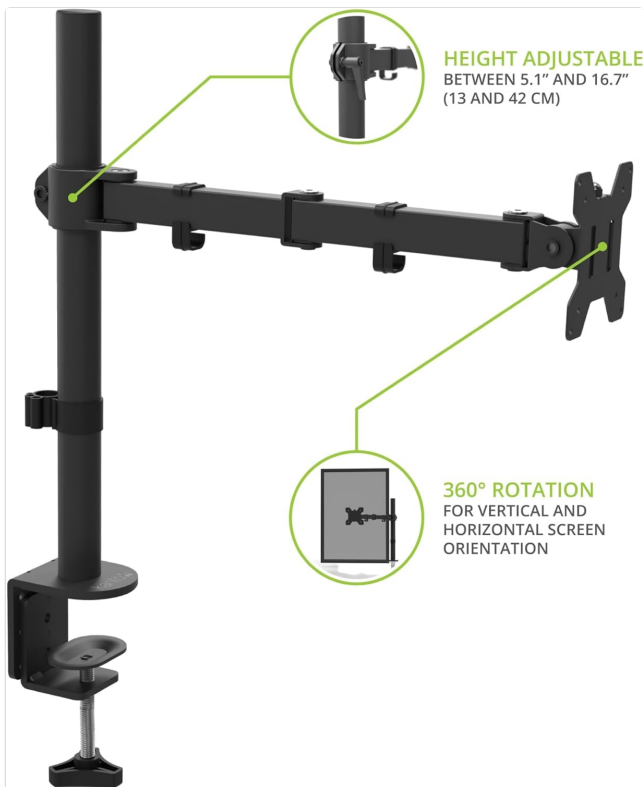


Image: Monitor arm showing the height adjustment lever and 360° rotation capability.

To adjust the monitor height, loosen the toolless lever on the main pole. Move the monitor arm up or down to your desired height (between 5.1" and 16.7" / 13cm and 42cm from the desk surface). Tighten the lever firmly to secure the position.

Tilt and Swivel Adjustment

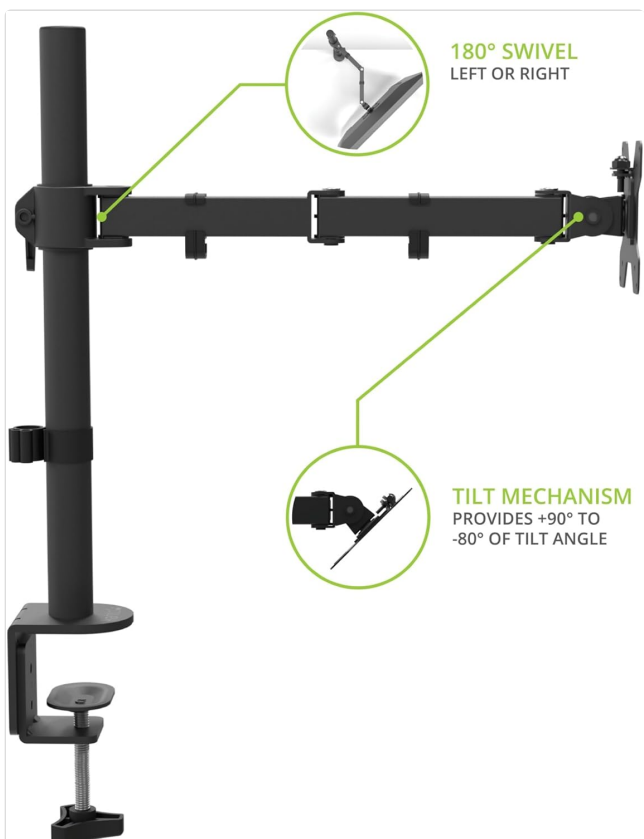


Image: Monitor arm illustrating 180° swivel left or right and tilt mechanism from +90° to -80°.

The monitor can be tilted from +90° to -80° and swiveled 180° left or right. Gently adjust the monitor to your

preferred viewing angle. Use the provided hex key to adjust the tension of the tilt mechanism if the monitor is too loose or too stiff.

Rotation

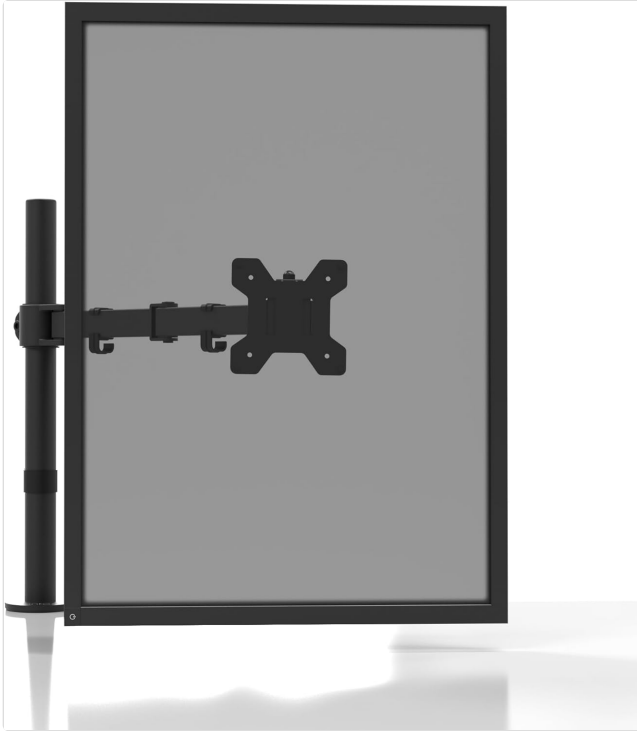


Image: A monitor mounted on the DML1000 in portrait orientation, demonstrating 360° rotation.

The monitor can be rotated 360° to switch between landscape and portrait orientations. Simply turn the monitor gently to achieve the desired orientation.

CABLE MANAGEMENT

The DML1000 includes cable management clips to keep your workspace tidy and reduce clutter.



Image: Close-up of the monitor arm showing cables routed through the integrated cable management clips.

Route your monitor and power cables through the clips located along the arm and down the main pole. This helps to organize cables and maintain a clean aesthetic.

MAINTENANCE

- **Cleaning:** Wipe the monitor arm with a soft, dry cloth. Do not use abrasive cleaners or solvents.
- **Periodic Checks:** Periodically check all screws and connections to ensure they remain tight and secure. Re-tighten if necessary.
- **Lubrication:** No lubrication is required for the moving parts.

TROUBLESHOOTING

- **Monitor sags or does not hold position:** Ensure the VESA plate screws are tight. For tilt adjustment, use the provided hex key to increase the tension on the tilt mechanism. For height adjustment, ensure the lever on the main pole is fully tightened.
- **Arm is unstable:** Check that the desk clamp or grommet mount is securely fastened to the desk. Ensure the desk surface is stable and can support the weight of the monitor and arm.
- **Difficulty rotating monitor:** Ensure no cables are snagged or preventing movement.

SPECIFICATIONS

Feature	Detail
Model	DML1000
Mounting Type	Desktop (Clamp or Grommet)
Material	Alloy Steel
Color	Black
Compatible Monitor Sizes	17" to 34"
Monitor Weight Capacity	Up to 22.1 lbs (10 kg)
VESA Compatibility	75x75mm, 100x100mm
Height Adjustment Range	5.1" to 16.7" (13 cm to 42 cm)
Tilt Angle	+90° to -80°
Swivel Angle	180°
Rotation	360° (Portrait/Landscape)
Desk Clamp Thickness	0.4" to 2.8" (10 mm to 70 mm)

WARRANTY INFORMATION

The Kanto DML1000 is backed by a Five Year Manufacturer's Warranty. For specific terms and conditions, please refer to the warranty card included with your product or visit the official Kanto website.

CUSTOMER SUPPORT

If you encounter any issues or have questions regarding your Kanto DML1000 monitor arm, please contact Kanto Customer Support for assistance.

Website: www.kantoaudio.com

Email: Refer to Kanto's official website for support contact information.

Phone: Refer to Kanto's official website for support contact information.