



Manuals.plus /

› SLZBCY /

› SLZBCY 4 Tier Corner Shower Caddy Instruction Manual

SLZBCY CYSS5-K

SLZBCY 4 Tier Corner Shower Caddy Instruction Manual

Model: CYSS5-K

1. PRODUCT OVERVIEW

The SLZBCY 4 Tier Corner Shower Caddy is a versatile and rustproof plastic organizer designed for efficient storage in bathrooms, bathtubs, and shower areas. Its corner-fitting design maximizes space, and its durable construction ensures longevity in wet environments. This manual provides essential information for assembly, use, and maintenance of your shower caddy.

PP material, Rustproof



Drain holes



Practical hook



Above the floor



Rubber to keep sturdy



Image: This image displays the overall dimensions of the 4-tier shower caddy, including its height, width, and depth, to help assess fit in your space.

2. FEATURES

- **Rustproof Plastic Construction:** Made from high-quality, sturdy plastic that resists wear and tear, ensuring no rust or marks in wet environments.
- **Efficient Drainage:** Features ample drainage holes in each shelf to prevent water accumulation and maintain cleanliness.
- **Corner-Optimized Design:** Specifically sized (13.5 x 10 x 33.5 inches) to fit perfectly into bathroom and shower corners, ideal for storing various bath accessories like bottles, body wash, shampoo, and shower gel.
- **Easy Tool-Free Assembly:** Can be assembled in minutes without any tools, and easily disassembled for cleaning.
- **Customizable Height:** Adjustable design allows assembly as a 2, 3, or 4-shelf unit to suit individual storage needs.
- **Stable Design:** Includes rubber inserts in the feet to prevent movement and flat surfaces on shelves to keep items secure.

SLZBCY

4-Tier Corner Shower Caddy Organizer

Suit for Corner

Height Adjustable

Easy to Assemble



Image: This collage highlights key features of the caddy, including its durable PP material, effective drain holes, practical hanging hooks, elevated design, and sturdy rubber feet for stability.

3. SPECIFICATIONS

Attribute	Detail
Brand	SLZBCY
Model Name	CYSS5-K
Room Type	Bathroom
Number of Shelves	4 (Adjustable to 2 or 3)
Special Feature	Waterproof, Rustproof
Product Dimensions	9.45"D x 13.5"W x 33.5"H
Material	Plastic (PP material)
Installation Type	Freestanding
Item Weight	1.81 pounds (820 Grams)
Color	Round Slot Blue 4 Tier (as per current product)
UPC	768434912299

4. SETUP AND ASSEMBLY

The SLZBCY Corner Shower Caddy is designed for quick and easy assembly without the need for any tools. Follow these steps to set up your caddy:

1. **Unpack Components:** Carefully remove all parts from the packaging. You should have triangular shelf pieces, vertical support poles, and rubber feet.
2. **Determine Height:** Decide whether you want a 2, 3, or 4-tier caddy. This will determine how many vertical support pole sections you will use.
3. **Assemble Base:** Attach the first set of vertical support poles to the bottom shelf. Ensure they are securely clicked into place.
4. **Add Shelves:** Stack subsequent shelves onto the vertical support poles, aligning the holes and pressing down firmly until each shelf clicks into position. Repeat for all desired tiers.
5. **Attach Top Shelf:** Place the final shelf on top, ensuring it is securely connected to the uppermost poles.
6. **Install Rubber Feet:** Insert the rubber feet into the bottom of the lowest vertical support poles. These provide stability and prevent slipping.
7. **Optional Hooks:** Attach the included hooks to the designated slots on the top shelf if you wish to hang items like loofahs or washcloths.

Your browser does not support the video tag.

Video: This video demonstrates the simple, tool-free assembly process of the SLZBCY Corner Shower Caddy, showing how to connect the shelves and poles to build the unit.

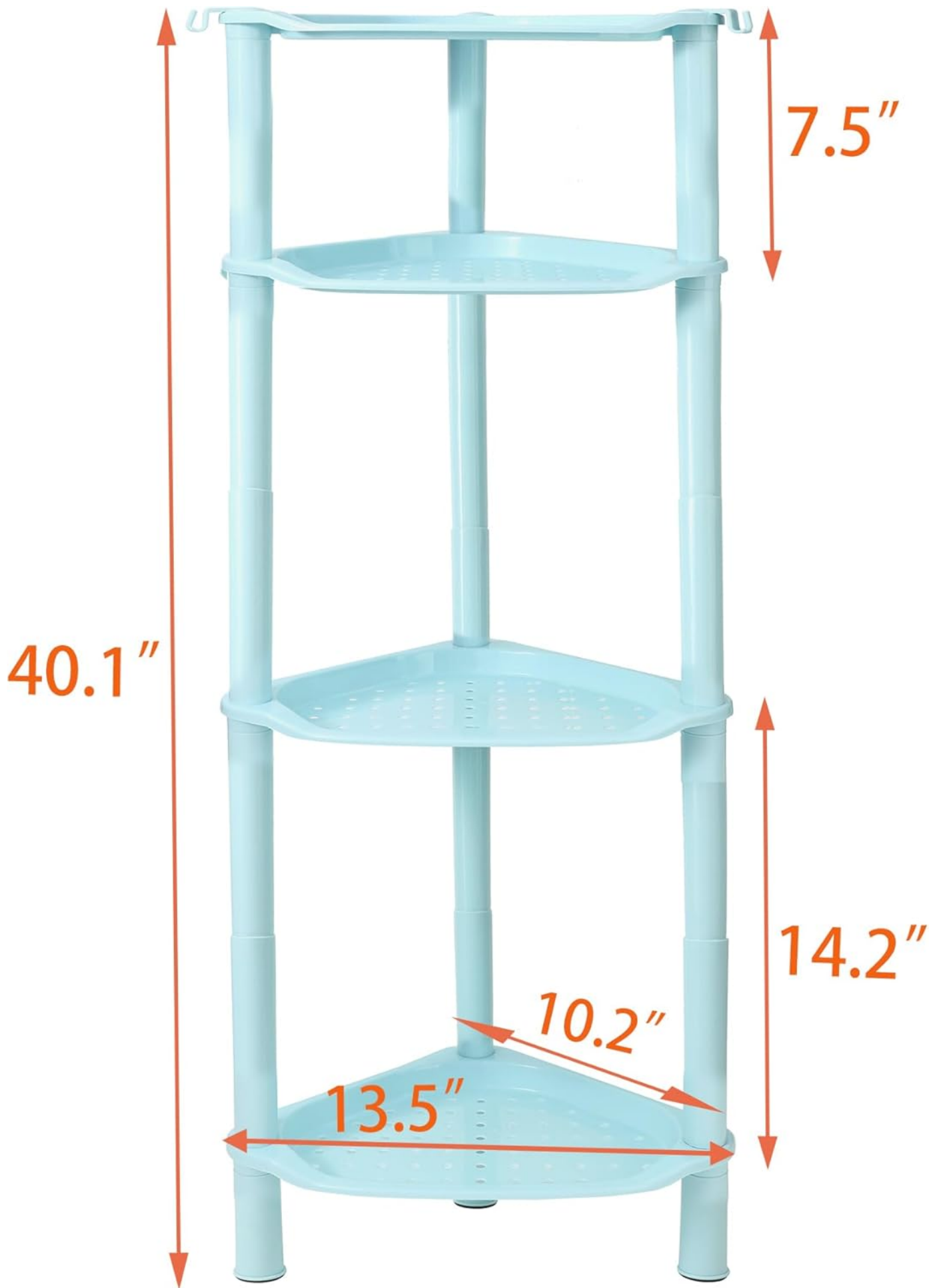


Image: An exploded view of the shower caddy components, illustrating the shelves, vertical poles, and feet before assembly.



Image: A close-up view showing the rubber feet that are inserted into the bottom of the poles to provide stability and prevent slipping on wet surfaces.

5. OPERATING INSTRUCTIONS

Once assembled, your SLZBCY Corner Shower Caddy is ready for use. Its design is optimized for corner placement to maximize space efficiency in your bathroom or shower.

- **Placement:** Position the caddy in a corner of your shower, bathtub, or bathroom floor. Ensure it is on a flat, stable surface. While designed for corners, it can also be used in other areas of your home for storage.
- **Loading Items:** Place your shower essentials such as shampoo, conditioner, body wash, soaps, and other bath accessories on the shelves. The flat surfaces and raised edges help prevent items from falling.
- **Weight Distribution:** For optimal stability, especially if your shower floor is sloped, distribute heavier items on the lower shelves.
- **Using Hooks:** Utilize the integrated hooks on the top shelf to hang loofahs, washcloths, or other items with hanging loops.







Image: The 4-tier shower caddy in use, holding various bottles of shampoo, conditioner, and body wash, demonstrating its storage capacity.



Image: The shower caddy positioned in a bathroom corner, showcasing its space-saving design and versatility beyond just the shower area.

6. MAINTENANCE

To ensure the longevity and cleanliness of your SLZBCY Corner Shower Caddy, regular maintenance is recommended.

- **Regular Cleaning:** Wipe the caddy with a dry cloth regularly to prevent water spots and soap scum buildup.
- **Deep Cleaning:** For a more thorough clean, the caddy can be easily disassembled. Wash individual components with mild soap and water, then rinse thoroughly and allow to air dry completely before reassembling.

- **Drainage Holes:** Periodically check and clear the drainage holes on each shelf to ensure proper water flow and prevent standing water.
- **Avoid Harsh Chemicals:** Do not use abrasive cleaners or harsh chemicals, as these may damage the plastic material.



Image: A detailed view of the perforated shelf design, highlighting the numerous drainage holes that facilitate water runoff and prevent accumulation.

7. TROUBLESHOOTING

If you encounter any issues with your shower caddy, consider the following common solutions:

Problem	Possible Cause	Solution
Caddy is unstable or wobbly.	Uneven surface; improper assembly; uneven weight distribution.	Ensure the caddy is placed on a flat surface. Recheck all connections to ensure poles are fully inserted into shelves. Distribute heavier items on lower shelves for better balance. If your shower floor is sloped, try rotating the caddy or placing heavier items on the side that leans into the slope.
Water pooling on shelves.	Blocked drainage holes.	Clear any debris or soap residue from the drainage holes. Ensure the caddy is level to allow water to drain effectively.
Difficulty disassembling for cleaning.	Components are tightly fitted.	Apply gentle, even pressure when pulling apart sections. Twisting slightly may help loosen connections.

8. WARRANTY AND SUPPORT

SLZBCY is committed to providing high-quality products. For any questions, concerns, or support needs regarding your 4 Tier Corner Shower Caddy, please contact our customer service team.

- **Customer Service:** Please refer to the contact information provided on the product packaging or the official SLZBCY website for support.
- **Online Resources:** Visit the SLZBCY Store on Amazon for additional product information and frequently asked questions.

