

## Manuals+

[Q & A](#) | [Deep Search](#) | [Upload](#)

Manuals.plus /

› [Protalwell](#) /

› Protalwell Clear Silicone Rubber U Channel Edge Trim Manual for 1/8 inch Slot (20 ft Length)

## Protalwell Fit 1/8"- Length 20' Clear

# Protalwell Clear Silicone Rubber U Channel Edge Trim Instruction Manual

Model: Fit 1/8"- Length 20' Clear

## 1. PRODUCT OVERVIEW

---

The Protalwell Clear Silicone Rubber U Channel Edge Trim is designed to provide protection for sharp edges on various materials. Made from durable silicone rubber, this trim offers flexibility and resistance to environmental factors, making it suitable for a wide range of applications.

### Key Features:

- **Material:** High-quality Silicone Rubber, known for durability and resistance to aging.
- **Temperature Resistance:** Withstands temperatures from -60°F to +320°F.
- **Flexibility:** Easily bends around corners and complex angles.
- **Protection:** Waterproof, sunproof, and abrasion-resistant.
- **Ease of Use:** Can be cut with standard scissors and installed without specialized tools.

we are made by silicone , not pvc



Waterproof



Sunproof



Heat-Resistance

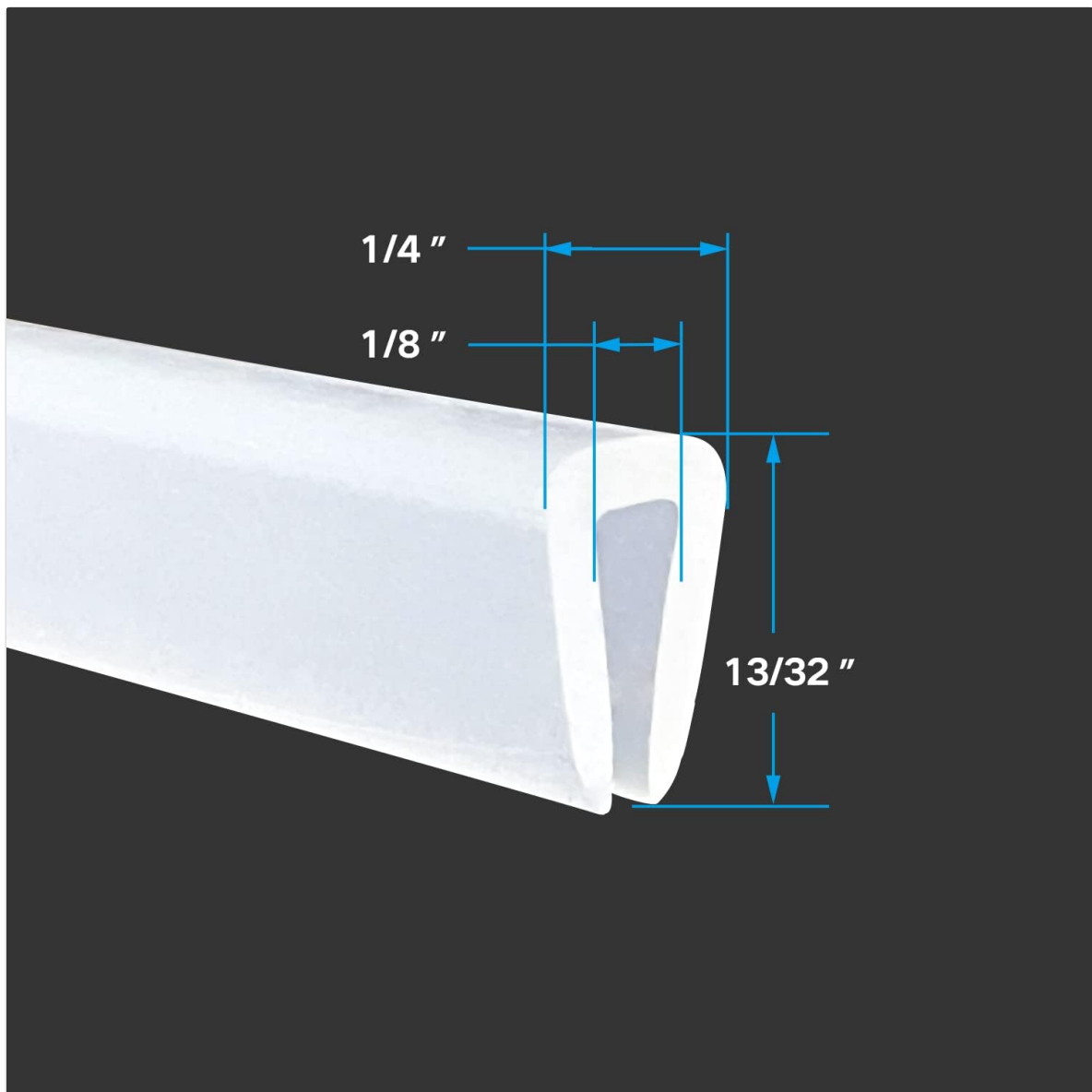


Abrasion  
Resistance

The silicone rubber construction provides waterproof, sunproof, heat-resistant, and abrasion-resistant properties.

## 2. SPECIFICATIONS

|                                   |                                |
|-----------------------------------|--------------------------------|
| <b>Brand</b>                      | Protalwell                     |
| <b>Material</b>                   | Silicone Rubber                |
| <b>Color</b>                      | Clear                          |
| <b>Product Dimensions</b>         | 240"L x 0.4"W (20 feet length) |
| <b>Item Thickness</b>             | 0.13 Inches                    |
| <b>Slot Width</b>                 | 1/8" (3.2mm)                   |
| <b>Fit For Material Thickness</b> | 3/32" to 5/32" (2.4mm-4mm)     |
| <b>Heat Resistance</b>            | -60°F to +320°F                |
| <b>Shape</b>                      | U Shaped                       |



Detailed dimensions of the U channel edge trim.

### 3. SAFETY INFORMATION

---

Always exercise caution when working with tools and materials. While this product is designed to protect against sharp edges, proper handling is essential.

- Wear appropriate personal protective equipment, such as gloves and eye protection, when cutting or installing the trim.
- Keep out of reach of children.
- Ensure the work area is well-lit and clear of obstructions.

### 4. INSTALLATION

---

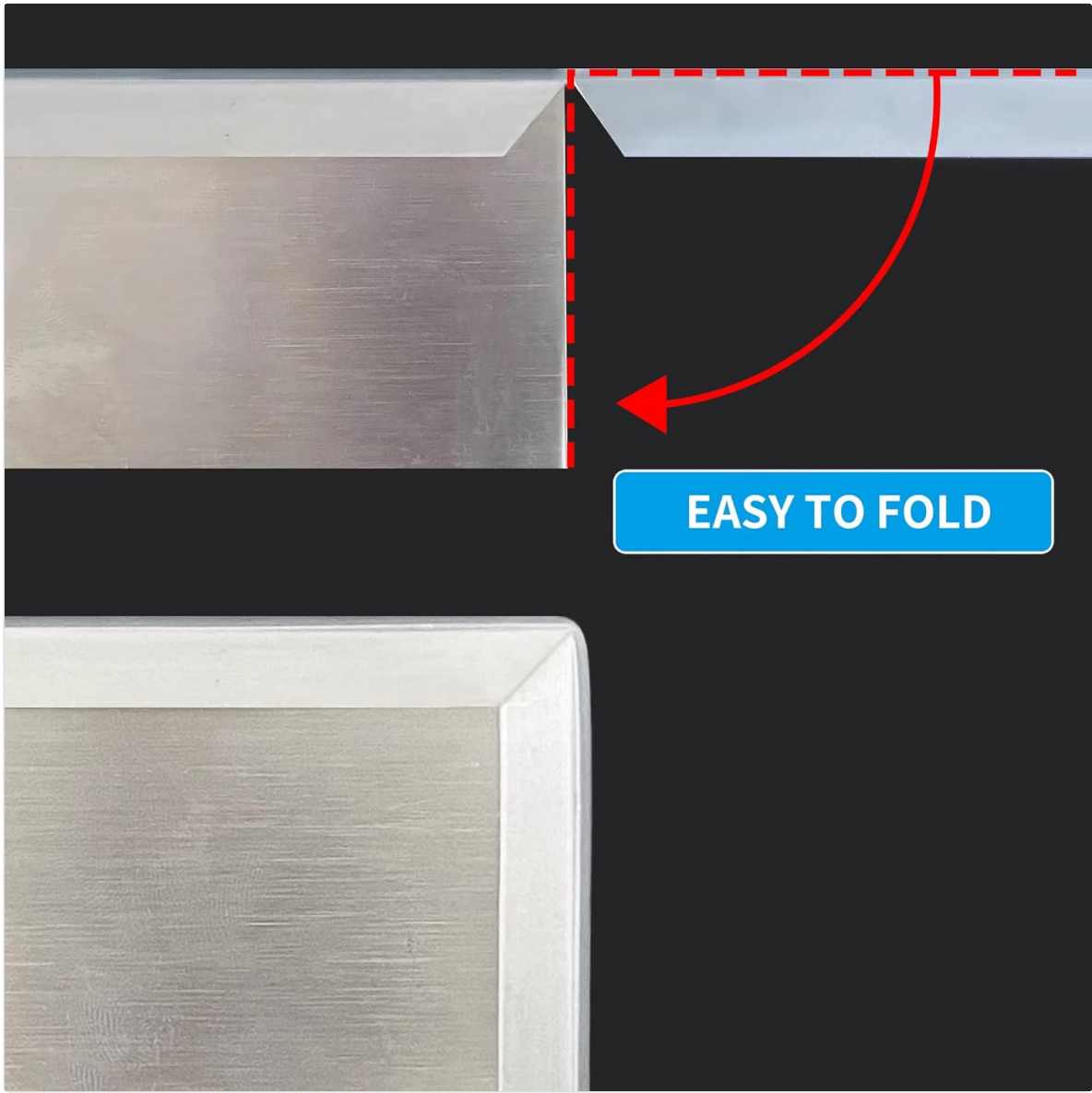
The Protalwell U Channel Edge Trim is designed for straightforward installation. Follow these steps for optimal results:

1. **Prepare the Edge:** Ensure the edge where the trim will be applied is clean, dry, and free of debris.

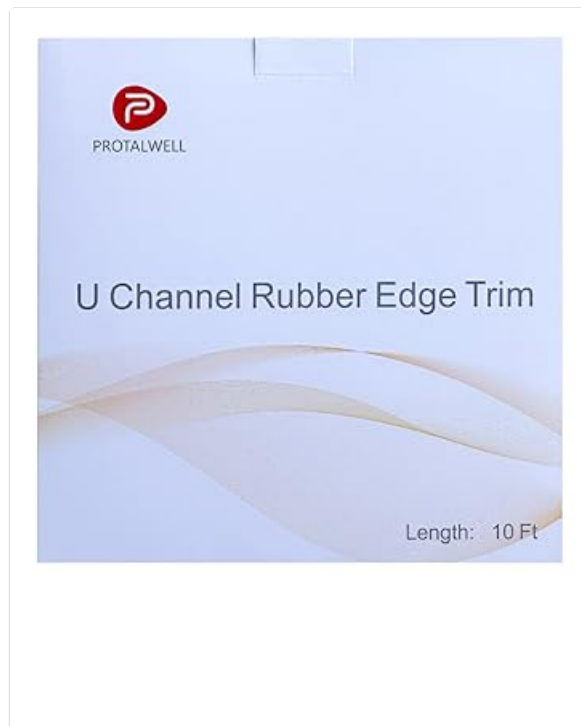
2. **Measure and Cut:** Measure the length of the edge requiring protection. Use standard scissors to cut the silicone trim to the desired length. The material is flexible and can be easily cut.
3. **Apply the Trim:** Starting from one end, press the U-channel trim onto the edge of the material. Apply firm, even pressure along the entire length to ensure a snug fit. The trim is designed to hold in place without adhesive for many applications.
4. **Corners and Angles:** The trim is flexible enough to bend around corners. For sharp corners, you may need to make small relief cuts on the outer edge of the trim to allow it to conform smoothly.
5. **Optional Adhesive:** For applications requiring extra security or if the trim does not hold sufficiently on its own, a suitable adhesive (e.g., silicone-based sealant or strong contact adhesive) can be applied inside the channel before installation. Allow adequate drying time as per the adhesive manufacturer's instructions.



The edge trim can be easily cut to length with standard scissors.



The trim's flexibility allows it to be folded around corners for continuous protection.



For enhanced adhesion, an appropriate adhesive can be used during installation.

## 5. OPERATION AND APPLICATION

---

Once installed, the Protalwell Clear Silicone Rubber U Channel Edge Trim functions as a protective barrier for various edges. It is ideal for:

- Covering sharp edges of plywood, sheet metal, glass, or plexiglass to prevent injury.
- Sealing edges from 3/32" to 5/32" thickness, providing a clean and finished look.
- Applications where resistance to water, sunlight, and abrasion is required.



The trim effectively protects edges of materials like glass or plexiglass.

## 6. MAINTENANCE

---

The silicone rubber material is durable and washable. To maintain the trim's appearance and functionality:

- Clean with mild soap and water as needed.
- Avoid harsh chemicals or abrasive cleaners, which may damage the silicone.
- Regularly inspect the trim for any signs of wear or damage, especially in high-stress areas.

## 7. TROUBLESHOOTING

---

### Trim Does Not Stay in Place:

If the edge trim does not remain securely on the material, consider the following:

- **Material Thickness:** Verify that the thickness of your material falls within the recommended range of 3/32" to 5/32" for this trim. If the material is too thin, the trim may not grip effectively.
- **Cleanliness:** Ensure the edge of the material is completely clean and dry before application. Any dust, oil, or moisture can reduce friction and grip.
- **Apply Adhesive:** For a more permanent and secure fit, apply a thin bead of appropriate adhesive (e.g., silicone sealant or strong contact adhesive) inside the U-channel before pressing it onto the edge. This is often necessary for vertical applications or surfaces subject to movement.
- **Even Pressure:** Ensure you apply firm, even pressure along the entire length of the trim during installation to fully seat it onto the edge.

## 8. WARRANTY AND SUPPORT

---

Specific warranty information for the Protalwell Clear Silicone Rubber U Channel Edge Trim is not provided in this manual. For details regarding warranty coverage, returns, or technical support, please refer to the product packaging or contact Protalwell customer service directly through their official website or the retailer where the product was purchased.