

[Manuals.plus](#) /

> [vidaXL](#) /

> vidaXL Corten Steel Planter 24.4"x11.8"x11.4" Instruction Manual

vidaXL 821556

vidaXL Corten Steel Planter Instruction Manual

Model: 821556 | Dimensions: 24.4" x 11.8" x 11.4"

INTRODUCTION

This manual provides instructions for the assembly, use, and maintenance of your vidaXL Corten Steel Planter. This rectangular raised bed is designed for outdoor planting and features durable Corten steel construction, which develops a protective, rustic appearance over time.



Image: Front view of the vidaXL Corten Steel Planter.

SAFETY INFORMATION

- Always wear appropriate personal protective equipment, such as gloves, during assembly to prevent cuts or pinches from metal edges.

- Ensure the planter is placed on a stable, level surface to prevent tipping.
- Keep small children and pets away from the assembly area.
- The Corten steel will develop a rust-like patina. Avoid direct contact with clothing during the initial weathering process to prevent staining.

PACKAGE CONTENTS

Verify that all components are present before beginning assembly.

- Corten Steel Planter panels
- Assembly hardware (screws, nuts, etc.)
- Assembly manual

SETUP AND ASSEMBLY

Assembly is required for this planter. Please refer to the included assembly manual for detailed, step-by-step instructions and diagrams. The Corten steel material is initially a normal metal color and will develop its distinctive brown, rust-like patina over time when exposed to outdoor elements.

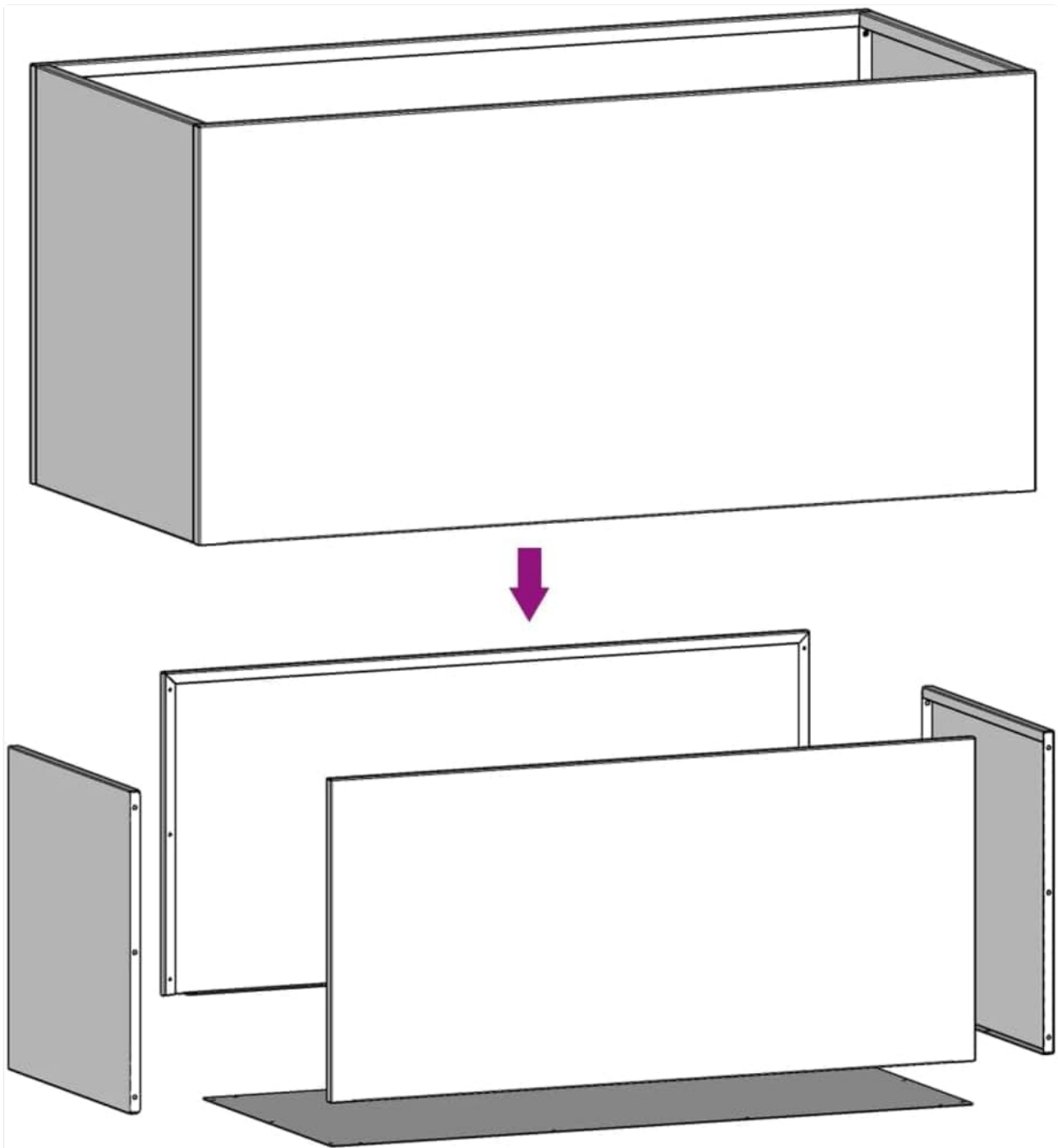


Image: Exploded view diagram showing the components of the planter for assembly.

Accelerating the Weathering Process

To speed up the development of the protective rust layer, you can apply a solution to the surface:

1. **Method 1: Water and Soap**

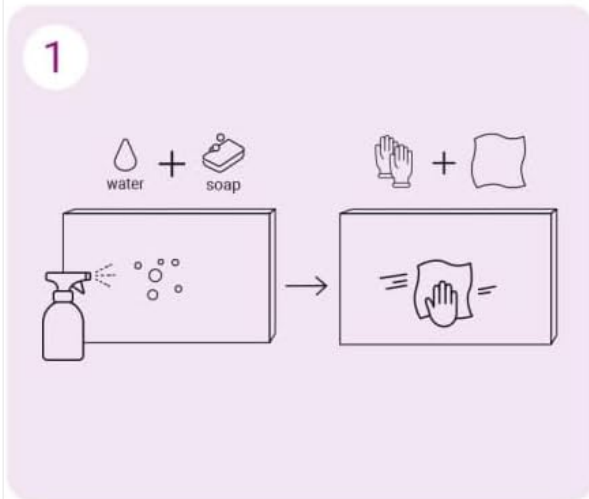
Mix water with soap. Using gloves and a cloth, wipe the surface of the planter several times with this solution.

2. **Method 2: Water and Salt**

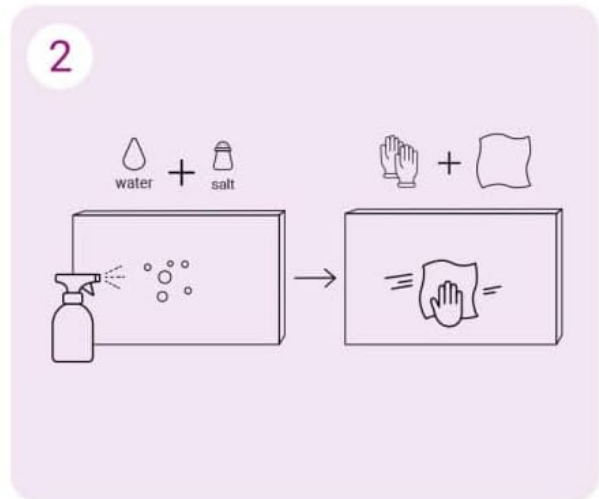
Mix water with salt. Using gloves and a cloth, wipe the surface of the planter several times with this solution.

After applying the solution, allow approximately 30 days for the color to fully change and the patina to develop. During this period, avoid touching the planter to prevent clothes from getting dirty.

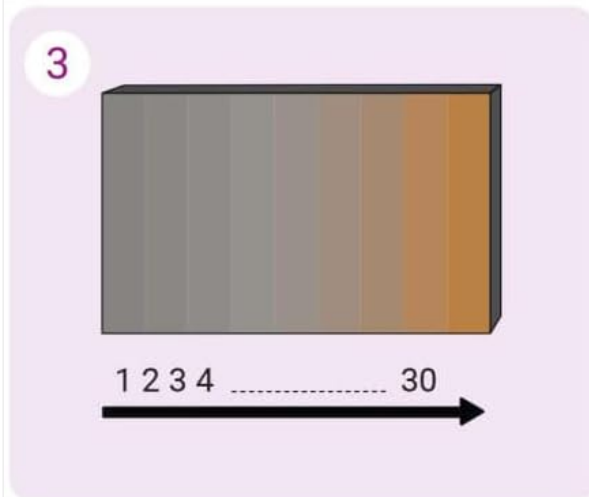
How to speed up rusting



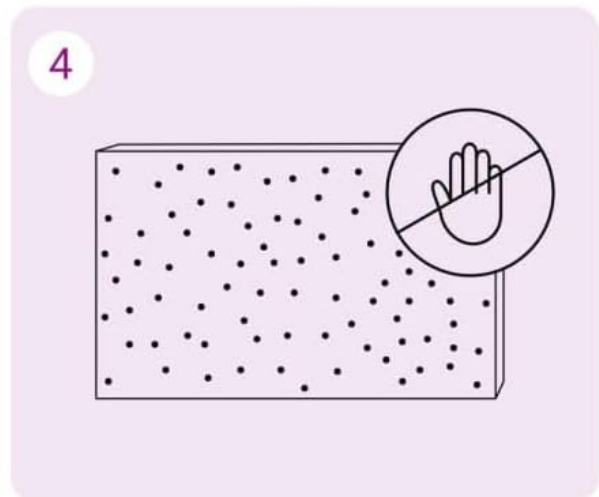
Mix water with soap then wipe several times using gloves and a cloth



Mix water with salt then wipe several times using gloves and a cloth



Wait 30 days to see the color changing



Avoid touching to prevent clothes from getting dirty.

Image: Visual guide for accelerating the Corten steel weathering process.

OPERATING AND USAGE

This planter is designed for outdoor use only. It is suitable for growing a variety of plants, including vegetables, herbs, and flowers. The planter does not include drainage holes, which allows for controlled watering or specific planting needs. Consider adding a drainage layer at the bottom if your plants require it, or drill drainage holes if necessary for your specific planting requirements.



Image: The Corten steel planter integrated into an outdoor garden space.

MAINTENANCE

The Corten steel material is designed for low maintenance. Once the protective patina has fully developed, it acts as a barrier against further corrosion, eliminating the need for painting or extensive upkeep. To keep the planter looking clean, simply wipe it with a dry cloth as needed.



Natural
anti-corrosion



Weather-
resistant



Low-
maintanance



Self-
regenerating
surface

Image: Key features of the Corten steel planter, including its low-maintenance and weather-resistant properties.

TROUBLESHOOTING

If you encounter any issues during assembly or use that are not addressed in this manual, please refer to the detailed assembly manual included with your product or contact vidaXL customer support for assistance.

SPECIFICATIONS

Brand	vidaXL
Model Number	821556
Material	Corten Steel (Metal)
Color	Weathering Steel/Brown
Shape	Rectangular

Product Dimensions (L x W x H)	24.4" x 11.8" x 11.4" (62 cm x 30 cm x 29 cm)
Item Weight	6.97 pounds (3.17 Kilograms)
Indoor/Outdoor Usage	Outdoor Only
Drainage	No

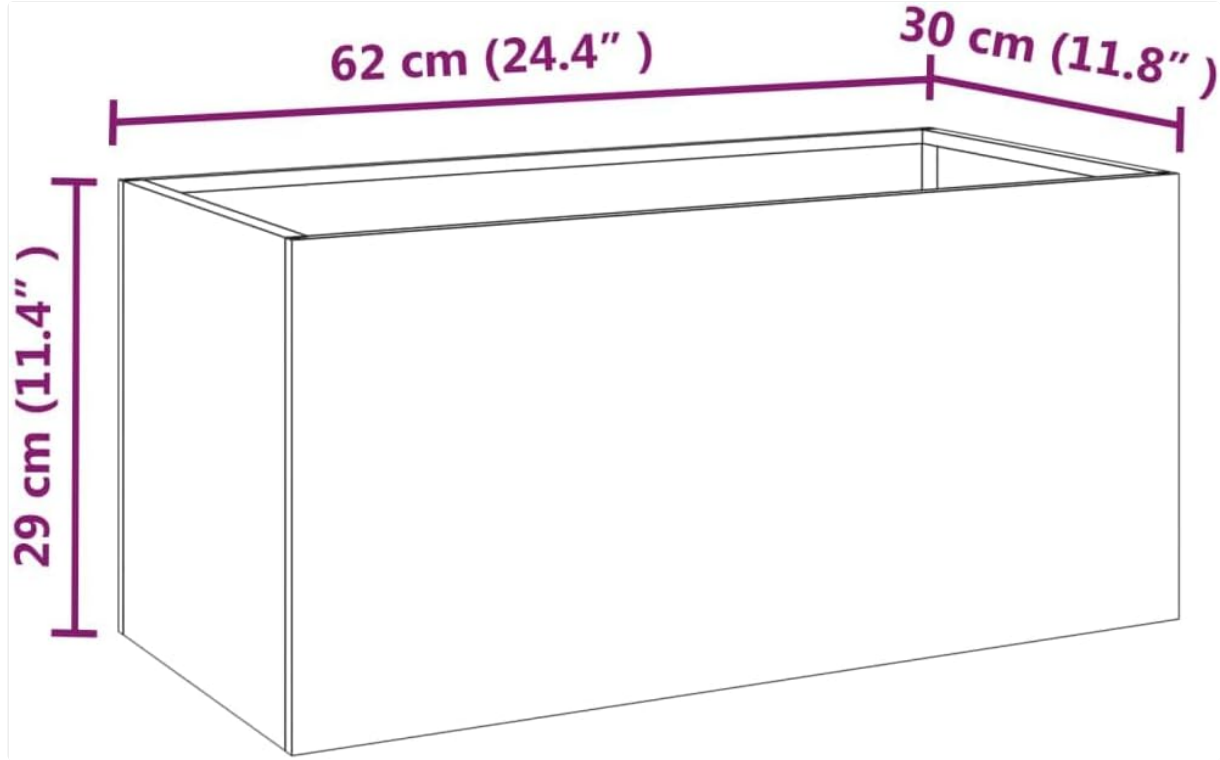


Image: Dimensional drawing of the planter, indicating length, width, and height.

WARRANTY AND SUPPORT

For information regarding product warranty or technical support, please contact vidaXL customer service. Refer to your purchase documentation or the official vidaXL website for contact details. You can visit the vidaXL store for more products and information: [vidaXL Store on Amazon](#)