

[Manuals.plus](#) /

> [CAYUEMUM](#) /

> CAYUEMUM 4434ER0002D 4434ER0002A Washer Spinner Support Instruction Manual

## CAYUEMUM 4434ER0002D

# CAYUEMUM Washer Spinner Support Instruction Manual

MODEL: 4434ER0002D, 4434ER0002A

*Replacement for LG and Kenmore Washing Machines*

## 1. Introduction

This manual provides essential information for the installation, operation, maintenance, and troubleshooting of your CAYUEMUM 4434ER0002D 4434ER0002A Washer Spinner Support. This component is a critical part of your washing machine's drum assembly, designed to support the spin basket and ensure stable operation. Please read these instructions carefully before proceeding with any installation or repair.

## 2. Safety Information

### **WARNING: Risk of Electric Shock and Injury**

- Always disconnect the washing machine from its power source and turn off the water supply before attempting any repairs or installation.
- Wear appropriate personal protective equipment, including gloves and eye protection.
- If you are not comfortable performing appliance repairs, it is recommended to seek assistance from a qualified technician.
- Keep children and pets away from the work area.

## 3. Package Contents

Verify that all components are present and undamaged upon receipt:

- 1 x CAYUEMUM 4434ER0002D 4434ER0002A Washing Machine Drum Support Assembly

If any parts are missing or damaged, please contact customer support immediately.

## 4. Compatibility

This washer spinner support is compatible with various LG and Kenmore washing machine models. It replaces part numbers 4434ER0002A, 4434ER0002B, 4434ER0002E, 4380986, AP6027671, PS11759952, EAP11759952, and 2649245.

### Compatible Kenmore Models:

- 79641182310, 79641282310, 79641472210, 79641473210, 79640272800, 79640272900
- 79640311900, 79640318900, 79640441900, 79640448900, 79641172210, 79641172211
- 79641272210, 79641272211, 79641283310, 79641283311, 79641372210, 79641372211
- 79641373210, 79641373211, 79641379210, 79641379211

### Compatible LG Models:

- WM3470HWA, WM3050CW, WM3250HWA, WM3470HWA/00, WM2077CW, WM2501HVA
- WM2277HW/00, WM2077CW/00, WM2233HW/00, WM3070HRA/00, CW2079CWN, WM0001HTM
- WM0001HTMA, WM0532HW, WM0642HW, WM0642HW/01, WM0742HGA, WM0742HWA
- WM1832CW, WM2032HW, WM2042CW, WM2050CW, WM2075CW, WM2077CW/01
- WM2101HW, WM2140CW, WM2233HD, WM2233HS, WM2233HU, WM2233HW
- WM2233HW/01, WM2240CW, WM2250CW, WM2277HB, WM2277HS, WM2277HW
- WM2301HR, WM2301HW, WM2350HRC, WM2350HWC, WM2442HW, WM2450HRA
- WM2455HG, WM2455HW, WM2487HRM, WM2487HMA, WM2487HWM, WM2487WHMA
- WM2487WHG, WM2496HSM, WM2496HWM, WM2497HWM, WM2501HWA, WM2601HL
- WM2601HR, WM2601HW, WM2650HRA, WM2650HWA, WM2655HVA, WM2677HSM
- WM2677HWM, WM2688HNM, WM2688HNA, WM2688HWM, WM2688WHMA, WM2701HV
- WM2701HV/00, WM2801HLA, WM2801HRA, WM2801HWA, WM3001HPA, WM3001HRA
- WM3001HWA, WM3070HWA, WM3250HRA, WM3250HWA, WM3987HW, WM3988HWA
- WM3360HVCA-ASSECL, WM3360HVCA-ASSEUS

# Compatible L-G Ken-more Replaces:

4434ER0002D 4434ER0002A

4434ER0002E 2649245

AP5592038

PS3635517

EAP3635517



Figure 4.1: List of compatible LG and Kenmore washing machine models.

## 5. Setup and Installation

Replacing the washer spinner support requires careful attention. It is recommended to consult a professional if you are unsure about any steps. The following is a general guide:

1. **Preparation:** Before beginning, ensure the washing machine is completely disconnected from the power supply and the water supply is turned off.
2. **Access the Drum:** Open the washing machine cabinet. This typically involves removing the top panel and front panel, or other access points depending on your specific washer model.
3. **Remove the Tub:** Carefully remove the outer tub assembly from the washing machine frame.
4. **Separate the Tub:** Disassemble the outer tub to gain access to the inner drum and the existing spinner support.
5. **Remove Old Support:** Unbolt and remove the old spinner support from the inner drum. Inspect the drum and surrounding components for any additional damage or wear.
6. **Install New Support:** Attach the new CAYUEMUM 4434ER0002D 4434ER0002A Washer Spinner Support to

the inner drum, ensuring all bolts are securely fastened according to your washer's service manual specifications.

7. **Reassembly:** Reassemble the tub and washing machine in reverse order of disassembly. Ensure all connections are secure and no tools or debris are left inside the machine.
8. **Test:** Once fully reassembled, reconnect the power and water supply. Run a test cycle to ensure proper operation and check for any leaks or unusual noises.

For detailed visual guidance, you may find installation videos on platforms like YouTube specific to your washing machine model.



Figure 5.1: Professional installation of a washer spinner support.

## 6. Operating Principles

The CAYUEMUM 4434ER0002D 4434ER0002A Washer Spinner Support is a static component that provides structural integrity to the washing machine's inner drum. Its primary function is to:

- **Support the Spin Basket:** It holds the inner drum (spin basket) in place, allowing it to rotate smoothly during wash and spin cycles.
- **Transfer Torque:** The shaft of the support connects to the motor, transferring rotational force to the spin basket.
- **Maintain Balance:** A properly functioning spinner support is crucial for maintaining the balance of the drum, especially during high-speed spin cycles, preventing excessive vibration and noise.

Once installed, the spinner support operates passively as part of the washing machine's mechanical system.

## 7. Maintenance

The CAYUEMUM Washer Spinner Support is designed for durability and resistance to corrosion and wear. Regular maintenance of the washing machine as a whole can help prolong the life of all its components, including the

spinner support.

- **Regular Cleaning:** Periodically clean your washing machine to prevent buildup of detergent residue, lint, and hard water deposits, which can affect various parts.
- **Load Balancing:** Always ensure laundry loads are balanced to minimize stress on the drum and spinner support during spin cycles. Overloading or unbalanced loads can lead to premature wear.
- **Inspect for Leaks:** Regularly check for any signs of water leaks around the washing machine, as water intrusion can lead to corrosion and damage to metal components like the spinner support.

## 8. Troubleshooting

If your washing machine exhibits symptoms such as excessive noise, vibration, or failure to spin after replacing the spinner support, consider the following:

- **Incorrect Installation:** Double-check that the spinner support was installed correctly and all bolts are tightened to the manufacturer's specifications. Refer to your washing machine's service manual.
- **Damaged Bearings/Seal:** The spinner support works in conjunction with the drum bearings and seal. If these components were not replaced or are faulty, they can cause similar symptoms.
- **Unbalanced Load:** Ensure the laundry load is evenly distributed in the drum.
- **Other Component Failure:** Issues might stem from other parts of the washing machine, such as the motor, suspension system, or control board.

If troubleshooting steps do not resolve the issue, it is advisable to contact a professional appliance repair technician.

## 9. Specifications

| Attribute           | Value   |
|---------------------|---|
| Brand               | CAYUEMUM  |
| Part Number         | 4434ER0002D 4434ER0002A                                       |
| Item Model Number   | 4434ER0002D   |
| Material            | Iron  |
| Color               | Silver  |
| Product Dimensions  | 19.7"L x 17.2"W x 7.1"H                                       |
| Item Weight         | 5.73 Pounds   |
| UPC                 | 766429031659  |
| Included Components | 4434ER0002D 4434ER0002A Washing Machine Drum Support Assembly |

# Product Size



SIZE

Figure 9.1: Product dimensions of the spinner support.

# Product details

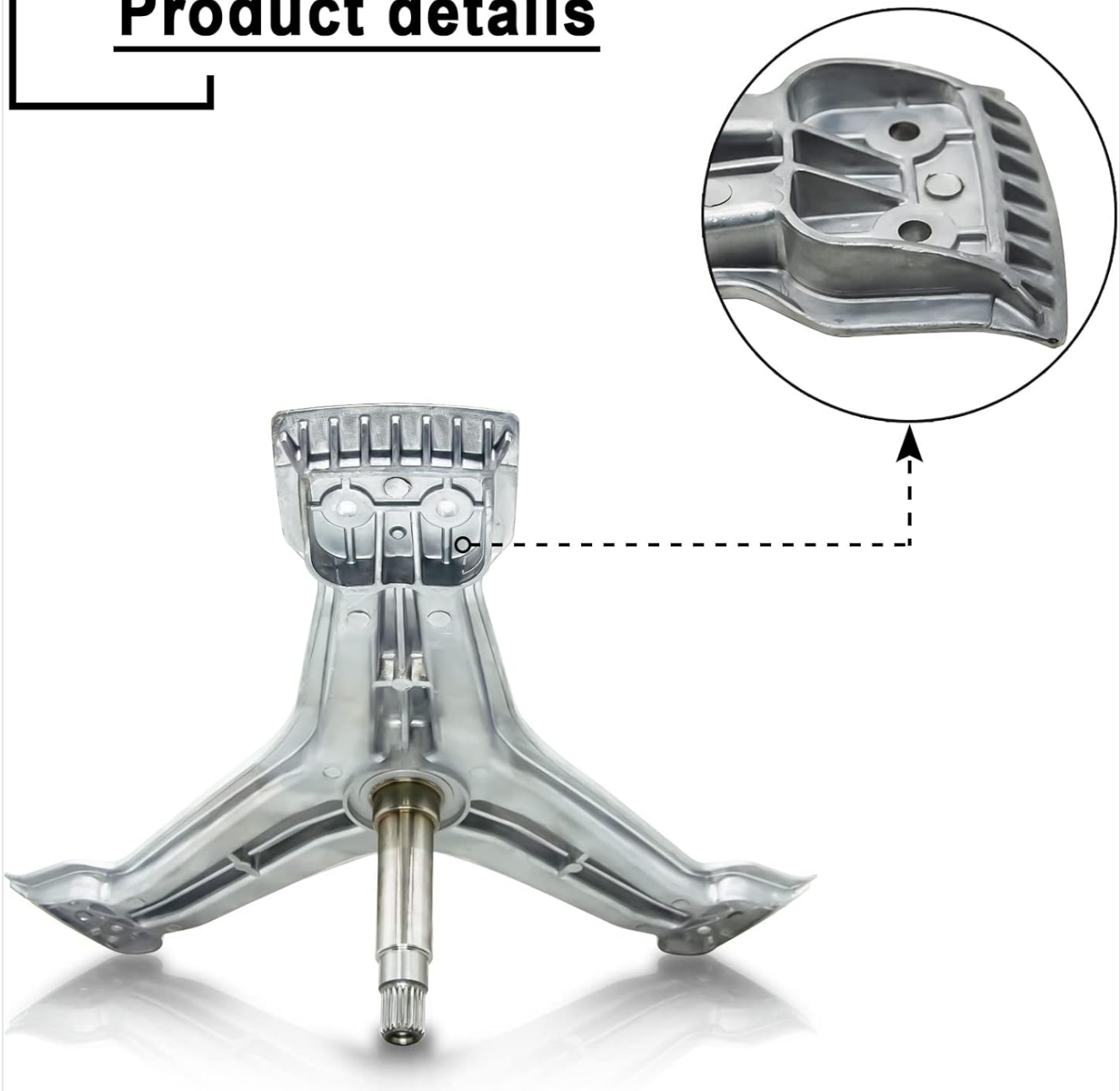


Figure 9.2: Detailed view of the spinner support construction.

## 10. Warranty and Support

CAYUEMUM offers a 365-day return and exchange policy for this Washer Spinner Support. If you are not satisfied with the quality of the rear drum holder of the washing machine, or encounter any issues, please contact our customer service team.

Our support team is available online 24 hours a day to assist you with any questions or concerns regarding your product.

### Contact Information:

- Please refer to your purchase documentation or the seller's platform for specific contact methods.

