

HI-REEKE 1501

HI-REEKE Kamado Tanjiro Sword Building Block Set

MODEL: 1501 - INSTRUCTION MANUAL

1. Introduction

Thank you for purchasing the HI-REEKE Kamado Tanjiro Sword Building Block Set. This set allows you to construct a detailed replica of the iconic Japanese anime sword, inspired by the samurai katana. Designed for enthusiasts aged 8 and up, this 759-piece set provides an engaging building experience and results in an impressive display model.

This manual provides essential information for assembly, safe handling, maintenance, and troubleshooting to ensure a satisfying experience with your new building block set.

2. Package Contents

Please verify that all components are present in your package:

- 759 x Building Blocks (ABS Plastic)
- 1 x Full-Color Instruction Manual
- 1 x Display Stand

If any parts are missing, please refer to the Troubleshooting section for assistance.

3. Safety Information

This product contains small parts and is not suitable for children under 3 years old due to a choking hazard. Adult supervision is recommended for younger builders.

The building blocks are made from high-quality, safe ABS plastic, complying with American ASTM F963-17 and CPSIA certifications.

Do not ingest any parts. Keep away from extreme heat sources to prevent deformation.

4. Assembly Instructions

Assembly of the HI-REEKE Kamado Tanjiro Sword Building Block Set is designed to be straightforward. Please follow the detailed, full-color instruction manual included in your package.

1. **Unpack:** Carefully open the package and lay out all the building blocks and the instruction manual.
2. **Organize:** It is recommended to sort the blocks by color and shape to facilitate the building process.
3. **Follow Steps:** Refer to the included full-color instruction manual. Each step is clearly illustrated to guide you through the assembly of the sword and its sheath.
4. **Assemble Stand:** Once the sword and sheath are complete, assemble the display stand according to the manual.

Ensure each block is tightly connected for a stable and durable model.



Image: Hands assembling the building blocks, demonstrating the clear steps provided in the manual.

5. Display and Use

Once assembled, your HI-REEKE Kamado Tanjiro Sword Building Block Set serves as an excellent display piece. The finished model measures approximately 38.5 inches (97.8 cm) in length, 3 inches (7.6 cm) in width, and 3.1 inches (7.9 cm) in height.

- **Display:** Place the assembled sword and sheath on the provided display stand. The stand is designed to securely hold the model, making it a focal point in any collection.
- **Collection Enhancement:** This model is ideal for manga enthusiasts and collectors, adding a unique element to any display.
- **Cosplay Accessory:** While primarily a display model, it can also be used as a prop for cosplay, enhancing character authenticity.

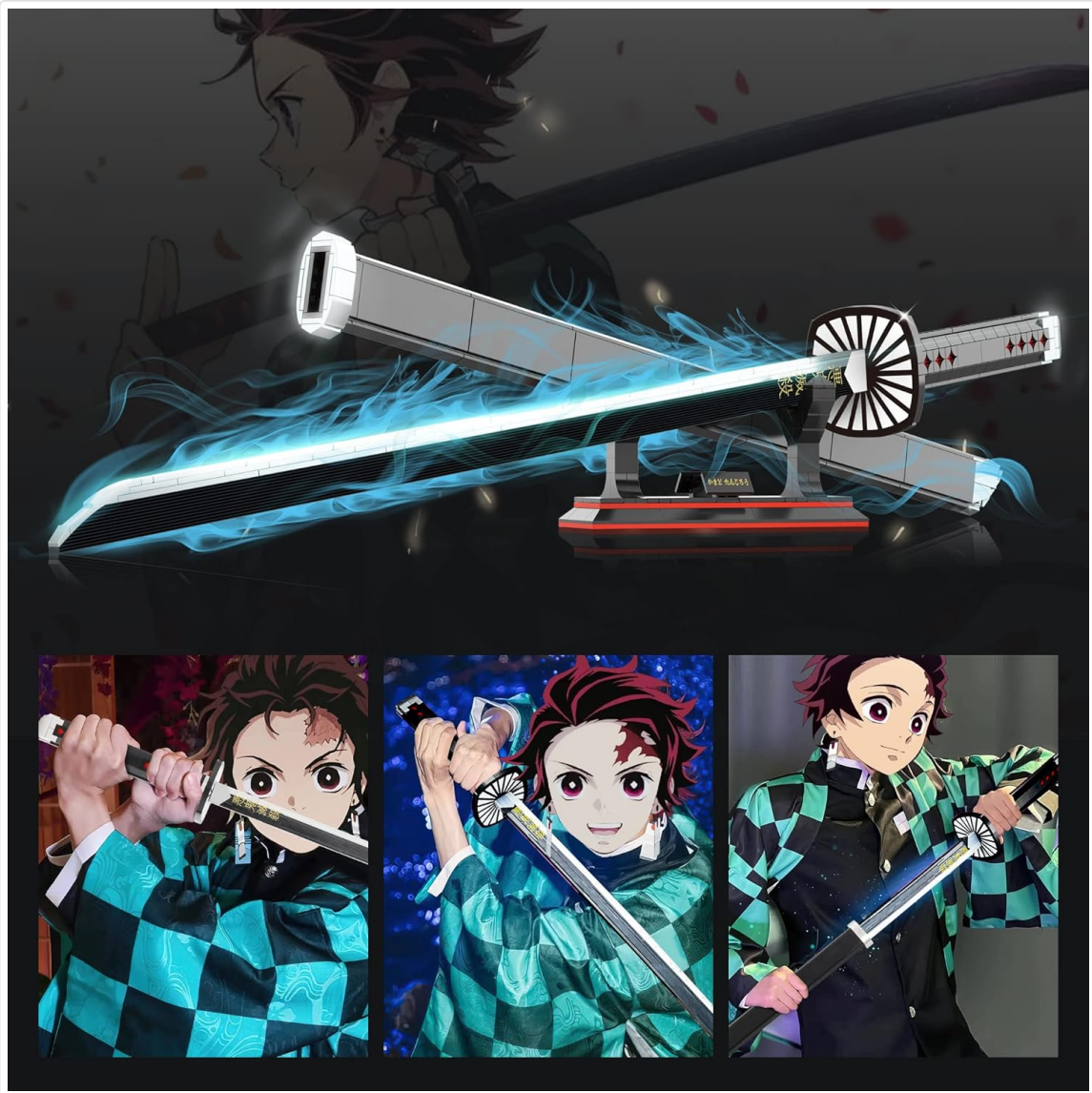


Image: The fully assembled Kamado Tanjiro sword model on its display stand.



Image: Detailed view of the sword's hilt, blade, and sheath, highlighting the intricate block design.



Image: Two assembled sword models displayed on their stands, showcasing their aesthetic appeal.

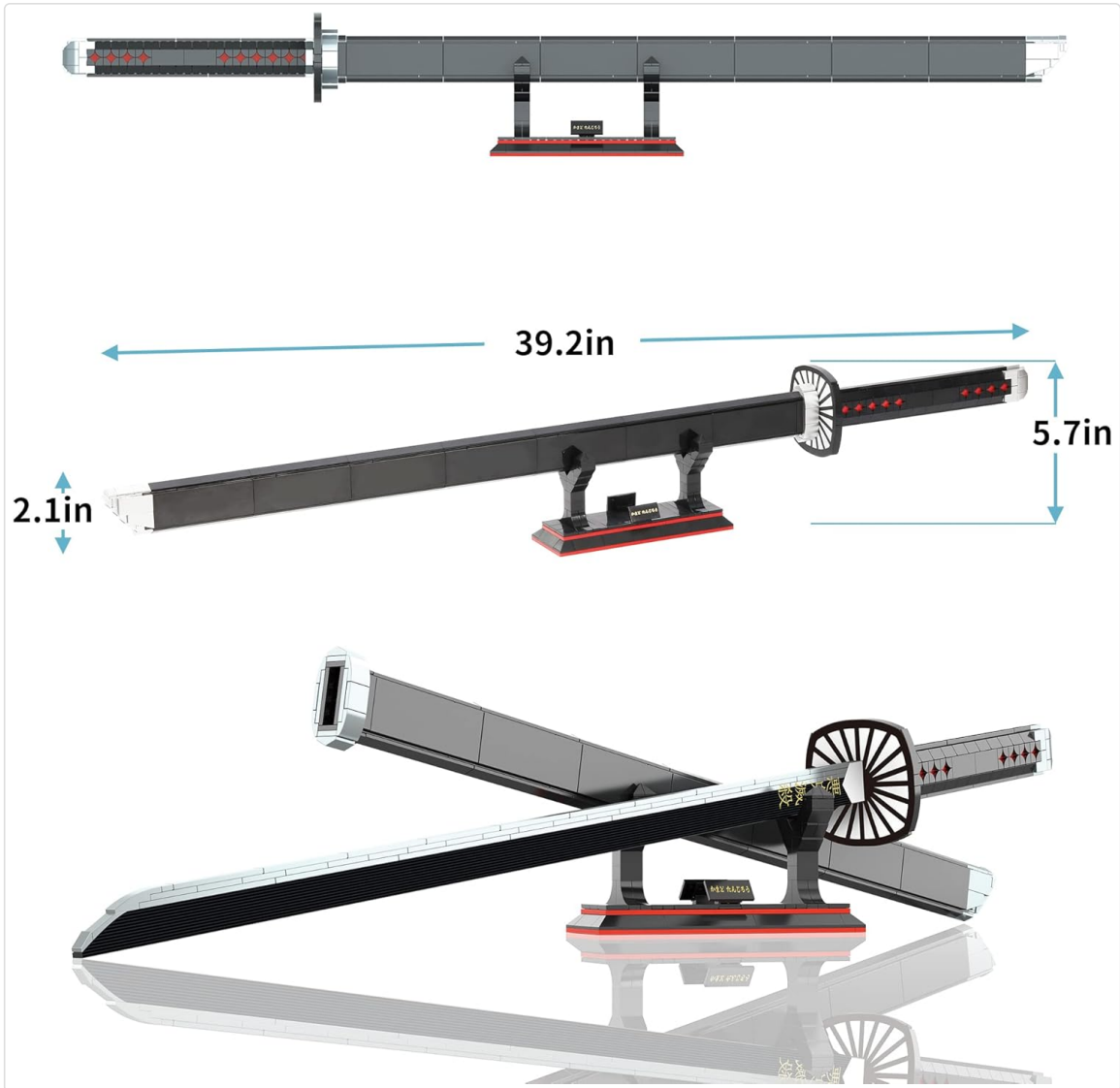


Image: Visual representation of the assembled sword's dimensions and overall appearance.

6. Maintenance

To keep your HI-REEKE building block set in optimal condition, follow these simple maintenance guidelines:

- **Cleaning:** Gently wipe the blocks with a soft, dry cloth to remove dust. For stubborn dirt, a slightly damp cloth can be used, followed by immediate drying.
- **Avoid Chemicals:** Do not use harsh chemicals, abrasive cleaners, or solvents, as these can damage the plastic.
- **Storage:** Store the model in a cool, dry place away from direct sunlight to prevent discoloration or material degradation over time.

7. Troubleshooting

While our products undergo multiple mechanical inspections to ensure completeness, occasional issues may arise.

Missing Parts

If you find that parts are missing from your kit, please contact our customer support. We are committed to ensuring your satisfaction and will arrange for the reissue of any lost or missing parts.

Please have your product model number (1501) and purchase details ready when contacting support.

8. Specifications

Product Model Number	1501
Batteries Required	No
Main Material	ABS Plastic
Target Gender	Unisex
Manufacturer Recommended Age	8 years and up
Product Dimensions (Assembled)	76.2 x 12.7 x 7.62 cm (30 x 5 x 3 inches)
Product Weight	971 g
ASIN	B0BWN8LBTS
First Available Date	May 21, 2023

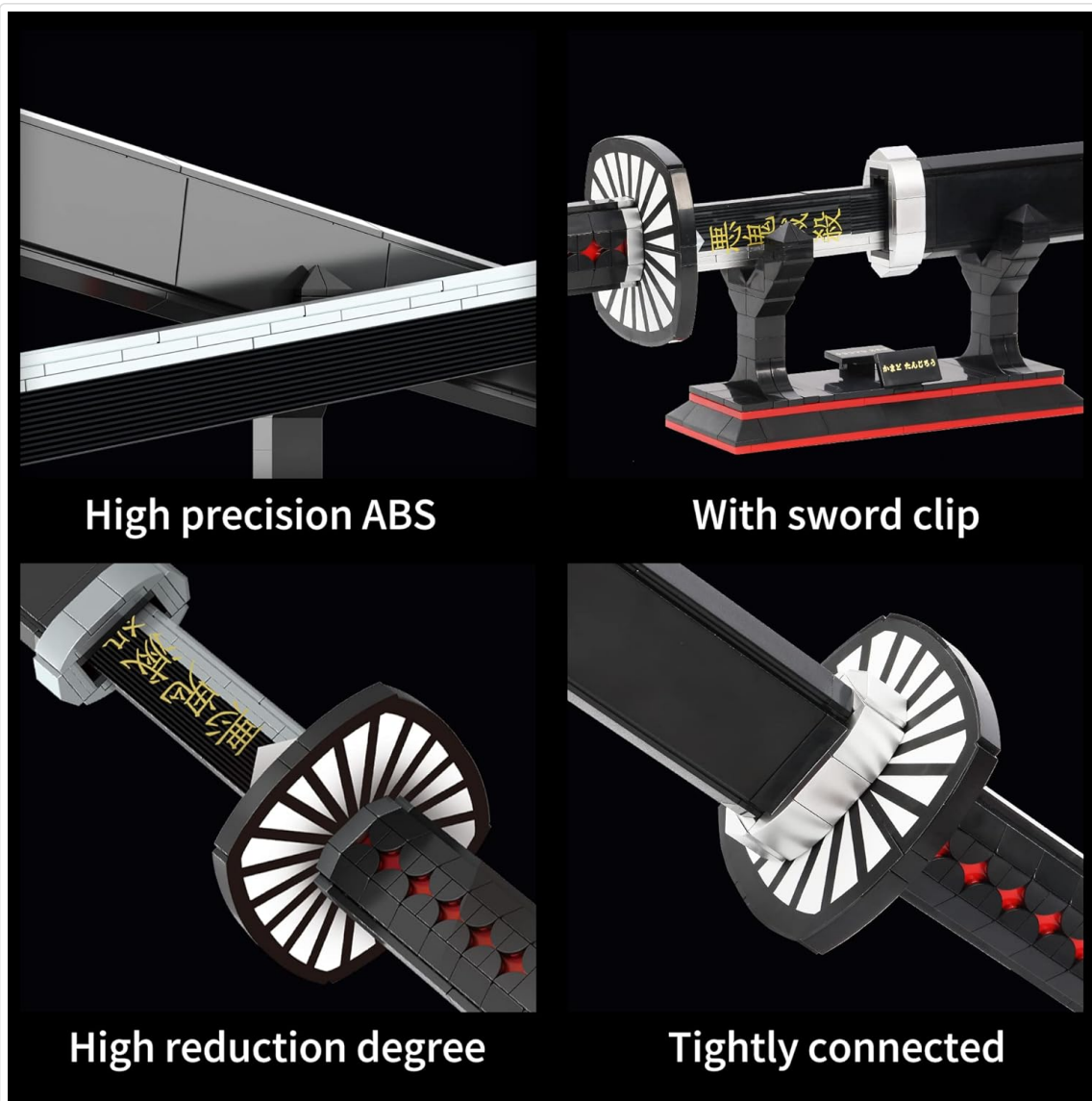


Image: Key features of the building block set, including material quality and connection details.

9. Warranty and Support

HI-REEKE is dedicated to providing high-quality products and customer satisfaction. While specific warranty details are not provided, we offer support for product-related issues.

Customer Support

For assistance with missing parts, assembly questions, or any other product concerns, please contact HI-REEKE customer service through the retailer where the product was purchased. Please provide your product model number (1501) and purchase date for efficient service.

