



Manuals.plus /

› Furinno /

› Furinno Simplistic A-Frame Computer Desk (Model 14054WH) User Manual

## Furinno 14054WH

# Furinno Simplistic A-Frame Computer Desk User Manual

Model: 14054WH

## INTRODUCTION

This manual provides detailed instructions for the assembly, operation, and maintenance of your Furinno Simplistic A-Frame Computer Desk. Designed for home offices, study rooms, or gaming setups, this desk features a sturdy A-frame design and a built-in hutch for storage. Please read these instructions carefully before assembly and use to ensure proper setup and longevity of your product.

## SAFETY INFORMATION

- Keep the product away from naked flames or direct heat sources.
- Ensure all connections are securely fastened during assembly to prevent instability.
- Do not exceed the specified weight capacities for each section of the desk.
- Assembly requires careful handling of components. It is recommended to have two people for assembly.

## PARTS LIST

Before beginning assembly, verify that all components are present and undamaged. The package should include:

- Assembly Instructions
- Hardware Pack (screws, dowels, etc.)
- Shelf Panels (main desktop, elevated hutch shelf, lower shelf)
- Frame Components (A-frame legs, support bars)

If any parts are missing or damaged, please contact Furinno customer support.

## SETUP AND ASSEMBLY

Assembly of the Furinno Simplistic A-Frame Computer Desk is designed to be straightforward. Step-by-step

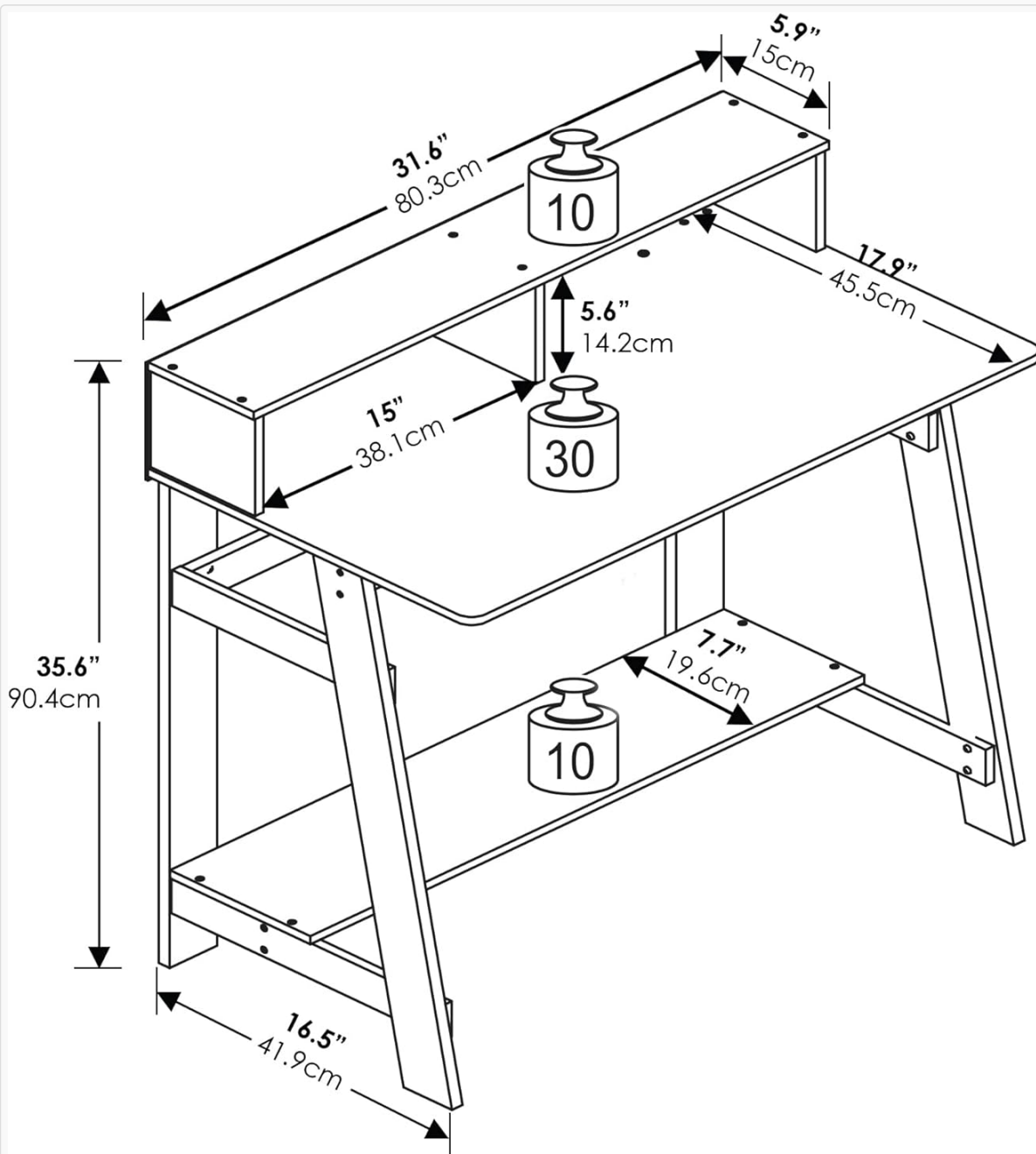
instructions are provided within the product packaging. It is recommended that two people participate in the assembly process to ensure stability and ease of construction.

### Recommended Tools:

- Hammer
- Screwdriver

### Assembly Steps:

1. Unpack all components and lay them out on a clean, soft surface to prevent scratches.
2. Identify each part using the labels provided in the assembly instructions.
3. Follow the graphical step-by-step instructions to connect the frame components.
4. Attach the main desktop, elevated hutch shelf, and lower shelf according to the diagrams.
5. Ensure all screws and fasteners are tightened securely, but do not overtighten to avoid damaging the wood.
6. Once assembled, gently move the desk to its desired location.



Note : There is a possible difference <0.5" for all measurements. Weight unit in pounds (lbs).

**Image:** Technical drawing showing the dimensions and weight capacities of the Furinno Simplistic A-Frame Computer Desk. The main desktop supports up to 30 lbs, the elevated shelf up to 10 lbs, and the lower shelf up to 10 lbs. Total static load is 50 lbs. Dimensions are 17.9"D x 31.6"W x 35.6"H.

## OPERATING AND USAGE

The Furinno Simplistic A-Frame Computer Desk is designed for versatile use in various settings.

### Key Features:

- **Spacious Desktop:** Provides ample room for a laptop, monitor, keyboard, mouse, and other daily essentials.
- **Elevated Shelf/Hutch:** Ideal for placing a monitor, small speakers, or stationery, helping to organize your workspace and elevate your screen to a comfortable viewing height.
- **Lower Shelf:** Offers additional storage space for books, computer towers, or storage boxes.

### Weight Capacities:

- Main Desktop: Up to 30 lb (13.6 kg)
- Elevated Shelf: Up to 10 lb (4.5 kg)
- Lower Shelf: Up to 10 lb (4.5 kg)
- Total Static Load: 50 lb (22.7 kg)





**Image:** The Furinno Simplistic A-Frame Computer Desk in white, showcasing its use as a computer workstation with a monitor, keyboard, and mouse on the main and elevated shelves.



**Image:** The desk positioned in a room, demonstrating its compact size and functionality with a laptop, desk lamp, and other accessories. A computer tower is placed on the lower shelf.

## MAINTENANCE

To maintain the appearance and longevity of your Furinno Simplistic A-Frame Computer Desk, follow these care instructions:

- Wipe clean with a clean, damp cloth.
- Avoid using harsh chemicals, abrasive cleaners, or polishes, as these can damage the laminated finish.
- Periodically check and tighten all screws and fasteners to ensure the desk remains stable.
- Protect the surface from excessive moisture and direct sunlight.

## TROUBLESHOOTING

If you encounter any issues with your Furinno Simplistic A-Frame Computer Desk, consider the following common solutions:

### Instability or Wobbling:

- Ensure all screws and fasteners are fully tightened.
- Verify that the desk is placed on a level surface. Adjust floor glides if present, or use shims if necessary.
- Re-check the assembly steps to confirm all parts are correctly installed according to the instructions.

### Damaged or Missing Parts:

- If parts were damaged during shipping or are missing from the package, contact Furinno customer support immediately for replacements.

## SPECIFICATIONS

Feature	Detail
Brand	Furinno
Model Number	14054WH
Product Dimensions (D x W x H)	17.9" x 31.6" x 35.6" (45.5cm x 80.3cm x 90.4cm)
Item Weight	26.5 Pounds (12 kg)
Color	White
Style	A-frame Design
Material	Engineered Wood (CARB-grade composite wood)
Finish Type	Laminated
Main Desktop Weight Capacity	30 lb (13.6 kg)
Elevated Shelf Weight Capacity	10 lb (4.5 kg)
Lower Shelf Weight Capacity	10 lb (4.5 kg)
Total Static Load Capacity	50 lb (22.7 kg)
Assembly Required	Yes
Recommended People for Assembly	2
Included Components	Assembly Instructions, Hardware Pack, Shelf Panels

## WARRANTY

The Furinno Simplistic A-Frame Computer Desk is covered by a **1-year limited manufacturer's warranty** against defects in materials and workmanship. This warranty applies from the date of purchase. Please retain your proof of purchase for any warranty claims. The warranty does not cover damage resulting from improper assembly, misuse, accidents, or normal wear and tear.

## SUPPORT

For further assistance, missing parts, or warranty inquiries, please contact Furinno customer support. Refer to the contact information provided in your product packaging or visit the official Furinno website.