



Manuals.plus /

› Flieks /

› Flieks Upholstered Daybed with Two Storage Drawers (Twin Size) Instruction Manual

## Flieks Twin w/2 drawers

# Flieks Upholstered Daybed with Two Storage Drawers (Twin Size) Instruction Manual

Model: Twin w/2 drawers

## INTRODUCTION

Thank you for choosing the Flieks Upholstered Daybed. This manual provides essential information for the safe assembly, operation, and maintenance of your new daybed. Please read all instructions carefully before beginning assembly and retain this manual for future reference.

## IMPORTANT SAFETY INFORMATION

### WARNING:

- Do not exceed recommended weight capacities. The bed has a weight capacity of 400 LBS. Each drawer has a weight capacity of 40 LBS.
- Properly assemble according to instructions to ensure stability and safety.
- Keep children away from moving parts during assembly.
- Place the daybed on a level surface to prevent tipping.
- Regularly check all connections and fasteners to ensure they remain tight.

## PACKAGE CONTENTS

Before assembly, ensure all parts are present. If any parts are missing or damaged, please contact customer service.

- Headboard
- Side Panels (Armrests)
- Bed Frame Components
- Wood Slats
- Two Storage Drawers
- Assembly Hardware (screws, bolts, etc.)
- Assembly Instructions (this manual)

- Tools for assembly

## SETUP AND ASSEMBLY

---

Assembly is required for this daybed. Please follow the provided clear instructions and use the included tools. It is recommended to assemble the daybed with two people.

1. **Unpack Components:** Carefully remove all parts from the packaging. Lay them out on a soft, clean surface to prevent scratches.
2. **Identify Parts:** Refer to the parts list (usually found in a separate diagram) to identify each component.
3. **Assemble Frame:** Begin by attaching the side panels to the headboard and footboard (if applicable) using the provided hardware. Ensure all connections are secure but do not fully tighten until the frame is complete.
4. **Install Slat Support:** Place the wood slats across the bed frame. Ensure they are evenly spaced and securely fastened to the frame. The slats provide essential support for your mattress.
5. **Assemble Drawers:** Follow the specific instructions for assembling the two storage drawers. This typically involves attaching the sides, bottom, and front panel, then installing the casters.
6. **Insert Drawers:** Once assembled, slide the drawers into their designated positions under the daybed frame.
7. **Final Tightening:** Once the entire daybed is assembled, go back and fully tighten all screws and bolts. Do not overtighten.
8. **Placement:** Position the daybed in its desired location, ensuring it is on a stable, level surface.



Image: Detail of the wood slat support and frame connection.



Image: Detail of an open storage drawer.

## OPERATING INSTRUCTIONS

---

Your Flieks Upholstered Daybed is designed for versatile use as both a bed and a sofa.

- **As a Bed:** Place a standard twin-size mattress (not included) on the wood slat support. The daybed is suitable for sleeping.
- **As a Sofa:** Utilize the backrest and armrests for comfortable seating. Add decorative pillows for enhanced comfort and style.
- **Storage Drawers:** The two integrated drawers are designed for storing daily items, bedding, or toys. Gently pull the drawers out using the front panel and push them back in when not in use. Ensure items stored within do not exceed the 40 LBS weight limit per drawer.



Image: Fliex Daybed with storage drawers open, demonstrating its use.



Image: Fliexs Daybed with storage drawers closed, functioning as a sofa.

## MAINTENANCE

---

Proper care will extend the life and appearance of your daybed.

- **Cleaning:** The upholstery fabric is velvet. Product care instructions specify **Dry Clean Only**. For minor spills, blot immediately with a clean, dry cloth. Avoid harsh chemicals or abrasive cleaners.
- **Dusting:** Regularly dust the frame and upholstery with a soft, dry cloth or a vacuum cleaner with a brush attachment.
- **Inspection:** Periodically check all bolts and screws to ensure they are tight. Re-tighten as necessary to maintain structural integrity.
- **Avoid Direct Sunlight:** Prolonged exposure to direct sunlight can cause fading of the fabric.

## TROUBLESHOOTING

---

Problem	Possible Cause	Solution
Daybed feels unstable or wobbly.	Loose connections; uneven floor.	Ensure all bolts and screws are securely tightened. Move the daybed to a level surface or use shims if necessary.
Drawers do not slide smoothly.	Obstruction in the drawer track; damaged casters; overloaded drawer.	Check for any objects blocking the drawer path. Inspect casters for damage. Reduce the weight of items in the drawer.
Squeaking noises.	Loose connections; friction between parts.	Tighten all assembly hardware. Apply a small amount of lubricant (e.g., silicone spray) to friction points if identified.

If you encounter issues not listed here or require further assistance, please contact Flieks customer service.

## SPECIFICATIONS

Feature	Detail
Brand	Flieks
Model	Twin w/2 drawers
Product Dimensions (L x W x H)	79.9" x 41.3" x 31.9"
Color	Grey
Upholstery Fabric Type	Velvet
Frame Material Type	Wood
Weight Capacity (Bed)	400 LBS
Weight Capacity (Each Drawer)	40 LBS
Assembly Required	Yes
Product Care Instructions	Dry Clean Only

SIZE: INCH

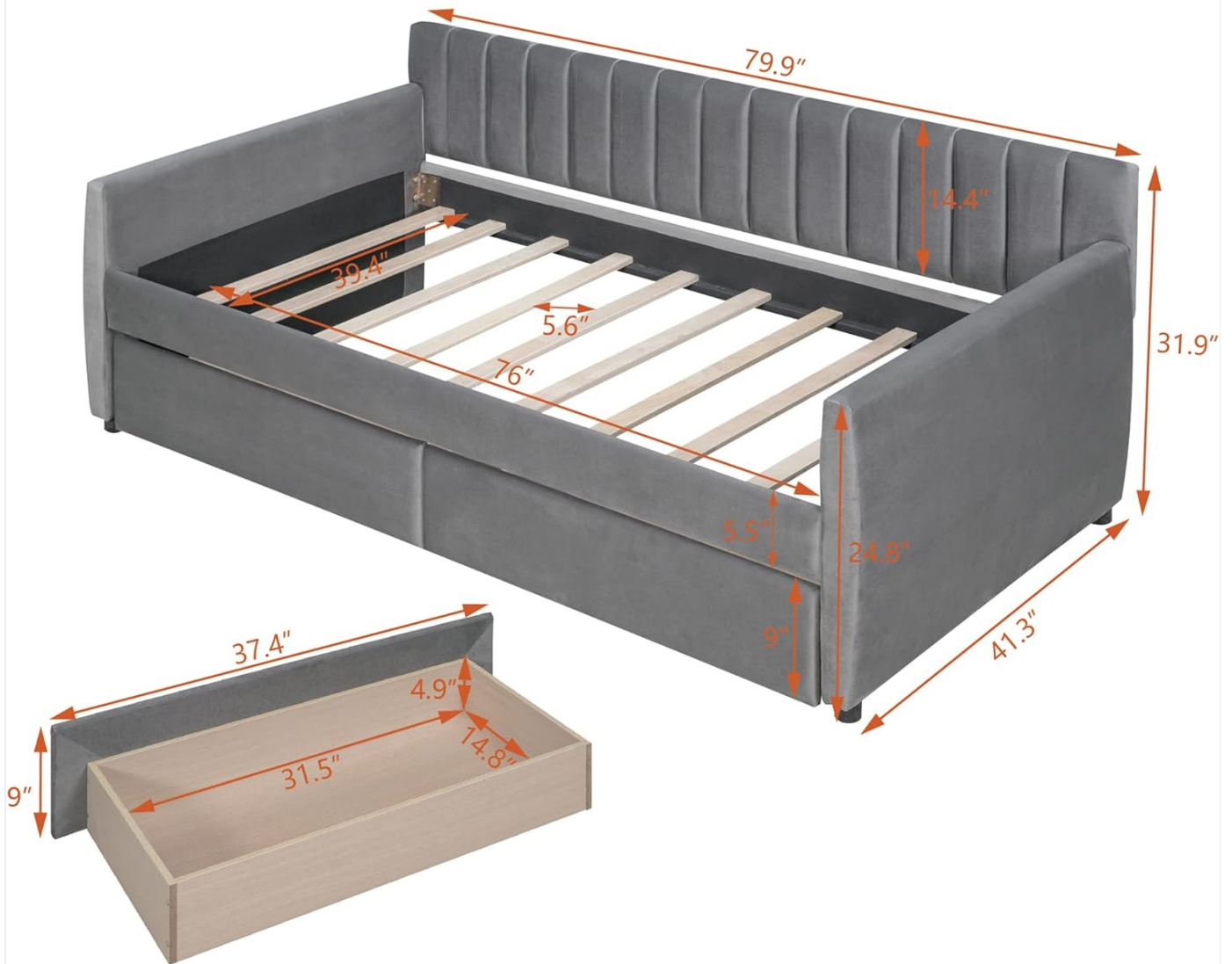


Image: Dimensional diagram of the daybed and drawers.

## WARRANTY AND SUPPORT

For warranty information, missing parts, or any product-related inquiries, please contact Flieks customer service. Refer to your purchase documentation for specific warranty terms and contact details.

**Customer Service:** Please refer to the contact information provided at the point of purchase or on the Flieks official website.

