



[Manuals.plus](#) /

> [RecPro](#) /

> RecPro RV Telescoping Ladder 12.5ft Model RP-2081 Instruction Manual

RecPro RP-2081

RecPro RV Telescoping Ladder 12.5ft Model RP-2081 Instruction Manual

Brand: RecPro

Model: RP-2081

1. INTRODUCTION

Thank you for choosing the RecPro RV Telescoping Ladder. This aluminum ladder is designed for convenience, durability, and compatibility with Lippert On-The-Go prepped units, making it ideal for various RV maintenance and access needs. This manual provides essential information for the safe and effective use of your ladder.

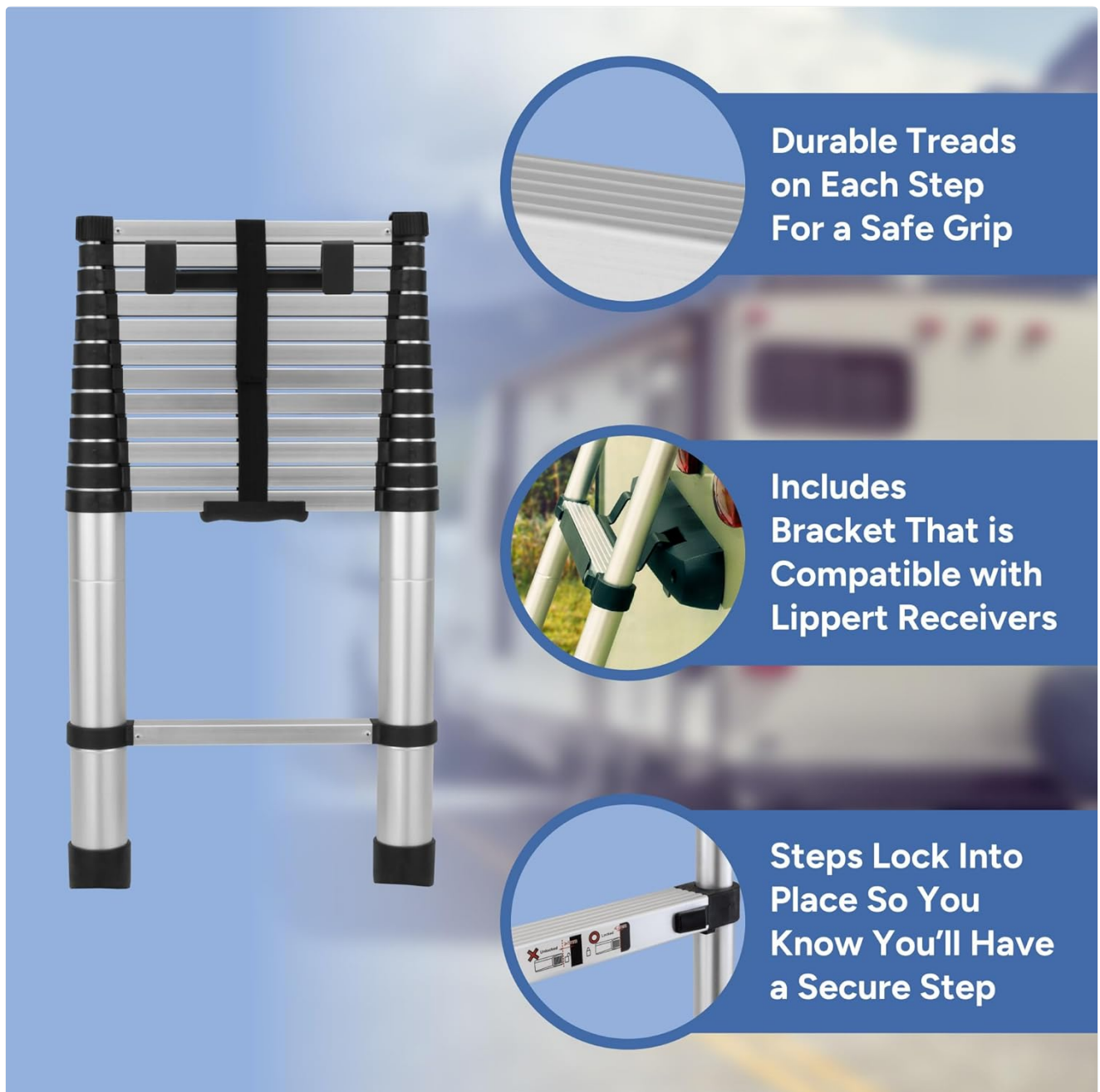


Image 1.1: The RecPro RV Telescoping Ladder in a partially extended state, showcasing its compact and portable design.

Your browser does not support the video tag.

Video 1.1: A general overview video from RecPro showcasing RV travel and product use. This video provides context for the product's application.

2. SAFETY INFORMATION

Always prioritize safety when using any ladder. Failure to follow these instructions may result in serious injury or death.

- **Inspect Before Use:** Before each use, inspect the ladder for any damage, loose parts, or wear. Ensure all locking mechanisms are functioning correctly.
- **Stable Surface:** Always place the ladder on a firm, level, and non-slippery surface. Ensure the rubber feet are making full contact with the ground.
- **Proper Angle:** When leaning the ladder against a surface, maintain a safe angle (approximately 75 degrees from the ground).

- **Weight Capacity:** Do not exceed the maximum load capacity of **330 pounds**.
- **Maintain Three Points of Contact:** Always maintain three points of contact (two hands and one foot, or two feet and one hand) while climbing or descending.
- **Avoid Overreaching:** Keep your body centered between the side rails. Do not overreach, as this can cause the ladder to tip.
- **Clear Hands and Fingers:** Exercise extreme caution when extending or retracting the ladder to prevent pinching fingers or hands between the rungs. Ensure all body parts are clear of moving sections.
- **Secure Ladder:** When using with a Lippert On-The-Go prepped unit, ensure the ladder is securely engaged with the receiver bracket before climbing.
- **One Person Only:** This ladder is designed for single-person use.
- **Weather Conditions:** Avoid using the ladder in strong winds, rain, or icy conditions.

3. PRODUCT COMPONENTS

The RecPro RV Telescoping Ladder consists of the following key components:

- **Telescoping Aluminum Sections:** The main body of the ladder, made from heavy-duty, rust and corrosion-resistant aluminum.
- **Rungs/Steps:** 13 steps, each measuring 1 1/2" x 13", with rubber treads for enhanced traction.
- **Automatic Locking Mechanisms:** Each step automatically locks into place when extended, ensuring stability.
- **Lippert Compatible Bracket:** An integrated bracket designed for seamless attachment to Lippert On-The-Go prepped units.
- **Rubber Feet:** Non-slip rubber caps on the bottom of the ladder for stability and floor protection.
- **Securing Strap:** A strap to keep the ladder sections compressed and secure during storage and transport.



Image 3.1: Close-up view of a ladder step, highlighting the rubber treads for secure footing and the visible 'Locked' and 'Unlocked' indicators for the automatic locking mechanism.



Image 3.2: Detail of the ladder's durable rubber foot pads, designed to provide stability and prevent slipping on various surfaces.

4. SETUP INSTRUCTIONS

Follow these steps to safely set up your telescoping ladder:

1. **Placement:** Place the ladder on a stable, level surface near your RV or desired work area. Ensure there are no obstructions above or around the ladder.
2. **Extend Ladder:** Starting from the bottom, pull each section upwards until it clicks securely into place. Ensure all locking mechanisms are fully engaged and show a 'Locked' indicator. Extend the ladder to the desired height, ensuring at least three rungs extend above the support point if leaning against a structure.
3. **Attach to Lippert On-The-Go Unit (if applicable):** If your RV is equipped with a Lippert On-The-Go receiver, align the ladder's integrated bracket with the receiver. Push the ladder firmly into the receiver until it locks securely. Verify the connection is stable before climbing.
4. **Final Check:** Before climbing, gently shake the ladder to confirm its stability and ensure all sections are locked and the base is secure.



Image 4.1: A detailed view of the ladder's bracket, demonstrating its secure connection to a Lippert On-The-Go receiver on an RV.

5. OPERATING INSTRUCTIONS

Use the ladder safely for access and tasks:

1. **Climbing:** Face the ladder and use both hands to grip the side rails. Climb one rung at a time, maintaining three points of contact.
2. **Working on Ladder:** Keep your belt buckle centered between the side rails. Avoid sudden movements or leaning too far to either side.
3. **Descending:** Face the ladder and descend slowly, maintaining three points of contact.
4. **Retracting for Storage:** To retract the ladder, ensure it is on a stable surface and no one is on it. Release the locking mechanisms on each rung, starting from the top. **Caution:** Keep hands and fingers clear of the collapsing sections to avoid pinching. The sections will retract smoothly.
5. **Securing for Transport:** Once fully collapsed, use the provided strap to secure the ladder sections together. This prevents accidental extension during transport.



Image 5.1: A user safely ascending the telescoping ladder, which is firmly attached to the side of an RV.



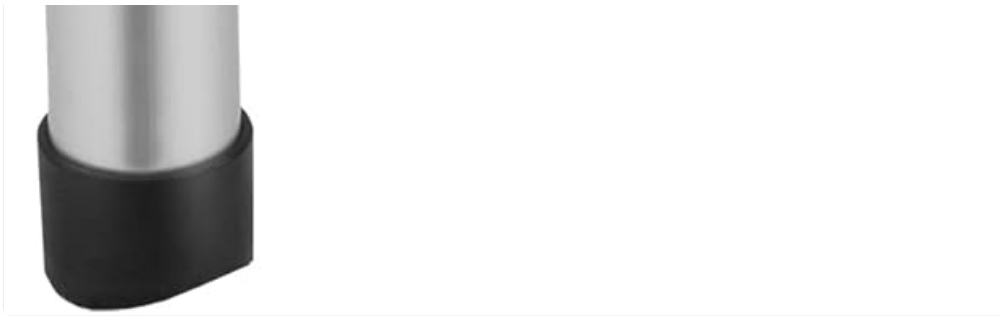


Image 5.2: The telescoping ladder shown in its compact, collapsed form, secured with a strap for easy storage and portability.

6. MAINTENANCE

Proper maintenance ensures the longevity and safe operation of your ladder:

- **Cleaning:** Clean the ladder regularly with a damp cloth to remove dirt, dust, and debris. Avoid harsh chemicals that could damage the aluminum or rubber components.
- **Lubrication:** Periodically apply a silicone-based lubricant to the telescoping mechanisms to ensure smooth extension and retraction.
- **Inspect Locking Mechanisms:** Regularly check that all locking pins engage fully and securely. If any mechanism appears stiff or damaged, do not use the ladder.
- **Check Rubber Components:** Inspect the rubber treads on the steps and the rubber feet for wear, cracks, or damage. Replace if necessary to maintain traction and stability.
- **Storage:** Store the ladder in a dry, protected area when not in use to prevent exposure to extreme weather conditions.

7. TROUBLESHOOTING

Here are solutions to common issues you might encounter:

- **Ladder sections are difficult to extend or retract:**
 - Ensure the ladder is clean and free of debris.
 - Apply a silicone-based lubricant to the telescoping mechanisms.
 - Check for any bent or damaged sections that might be causing friction.
- **Locking mechanisms are not engaging:**
 - Ensure each section is fully extended until you hear a distinct click.
 - Inspect the locking pins for damage or obstruction. Do not use the ladder if locks do not engage.
- **Ladder feels unstable:**
 - Verify the ladder is placed on a firm, level surface.
 - Ensure all rubber feet are making full contact with the ground.
 - Confirm all telescoping sections are fully locked.
 - If attached to an RV, ensure the Lippert bracket is securely engaged.

8. SPECIFICATIONS

Detailed specifications for the RecPro RV Telescoping Ladder Model RP-2081:

RP-2081 Telescoping Ladder Measurements

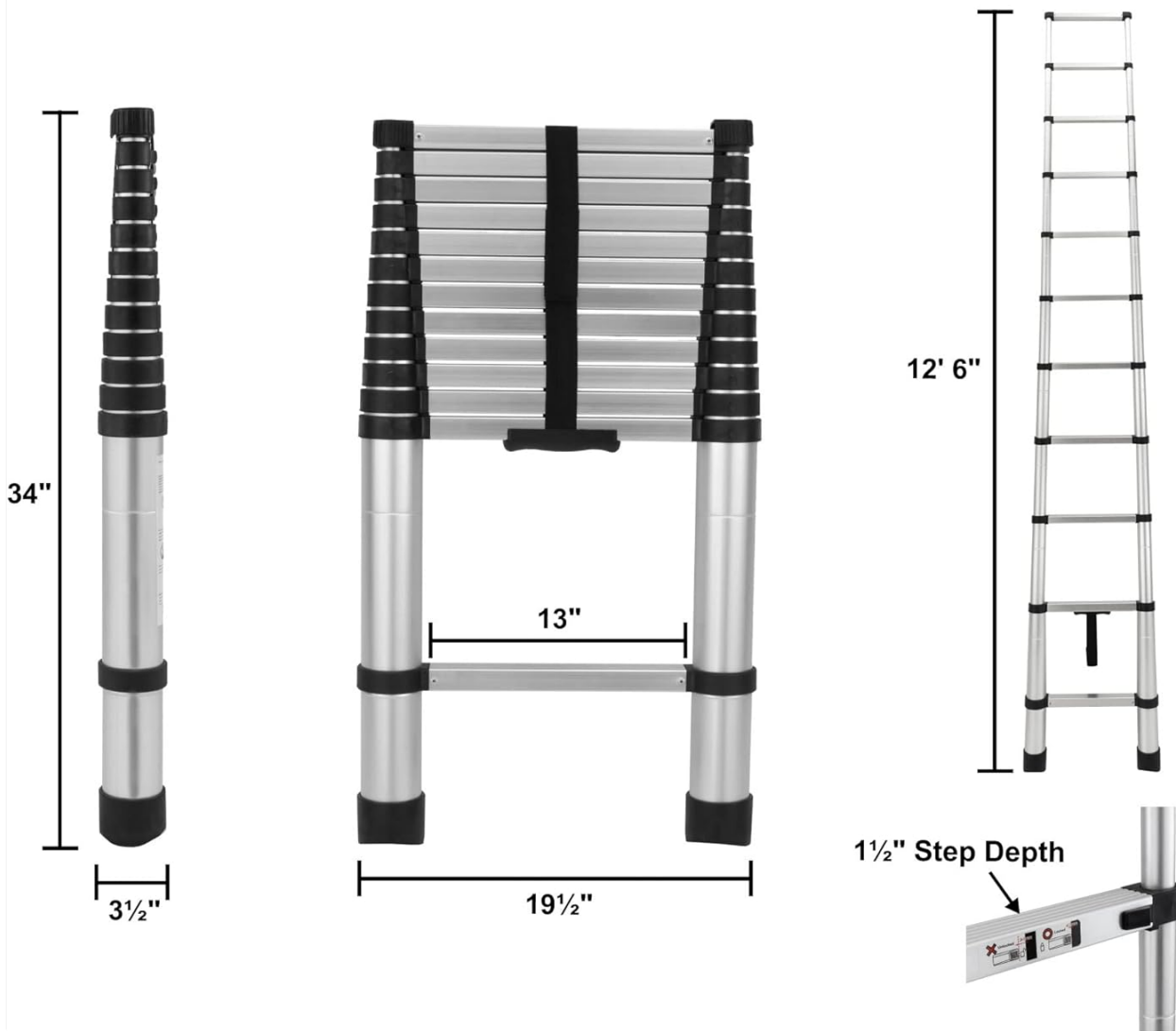


Image 8.1: A visual representation of the ladder's key dimensions, including its height when collapsed and fully extended, and step depth.

Feature	Detail
Model Number	RP-2081
Material	Aluminum, Rubber
Maximum Height (Extended)	12' 6" (150 inches)
Collapsed Height	34 inches
Width	19.5 inches
Step Depth	1 1/2 inches
Number of Steps	13

Maximum Load Capacity	330 pounds
Item Weight	12.59 Kilograms (approx. 27.75 lbs)
Special Features	Lightweight, Telescopic, Rust and Corrosion-Resistant, Rubber Treads, Lippert On-The-Go Compatible
UPC	193652095613

9. WARRANTY AND SUPPORT

For warranty information, product support, or to inquire about replacement parts, please contact RecPro customer service. Keep your purchase receipt and model number (RP-2081) handy when contacting support.

Contact Information: Please refer to the RecPro official website or your purchase documentation for the most current contact details.