

Manuals+

[Q & A](#) | [Deep Search](#) | [Upload](#)

manuals.plus /

› [AKORD](#) /

› [AKORD CL3 Bedside Table User Manual](#)

AKORD OP0LCL340OLCH001

AKORD CL3 Bedside Table User Manual

Model: OP0LCL340OLCH001 | Brand: AKORD

1. INTRODUCTION

The AKORD CL3 bedside table is a versatile and functional piece of furniture designed to complement various living spaces, including bedrooms, living rooms, and studies. Its timeless design and compact dimensions make it suitable for smaller areas, while its three spacious drawers provide ample storage for personal items and accessories. Constructed from high-quality, abrasion-resistant particle board with ABS edging, this bedside table is built for durability and stability. The drawers are equipped with metal roller guides for smooth operation. This manual provides detailed instructions for assembly, operation, and maintenance to ensure you get the most out of your AKORD CL3 bedside table.

2. SAFETY INFORMATION

- **Assembly Safety:** Always follow the assembly instructions carefully. Ensure all hardware is securely tightened before use. Do not overtighten screws, as this may damage the material.
- **Stability:** For optimal stability, place the bedside table on a flat, level surface. Avoid placing heavy objects on top that exceed its weight capacity.
- **Child Safety:** Do not allow children to climb on or play with the bedside table. Keep small parts and assembly hardware out of reach of children.
- **Weight Distribution:** Distribute weight evenly within the drawers to prevent tipping.
- **Moving the Unit:** When moving the bedside table, lift it rather than dragging it to prevent damage to the unit or your flooring.

3. PACKAGE CONTENTS

Your AKORD CL3 bedside table package includes all necessary components and hardware for assembly. Please check all parts against the included parts list in your separate assembly guide before beginning assembly. If any parts are missing or damaged, please contact customer support.



Image 1: The AKORD CL3 bedside table in Alder finish, showcasing its compact design and three drawers.

4. SETUP AND ASSEMBLY

The AKORD CL3 bedside table is designed for self-assembly. While the process is straightforward and does not require special tools, we recommend having a Phillips head screwdriver and a hammer readily available. Please follow the step-by-step instructions provided in the separate assembly manual included in your package.

Key Assembly Tips:

- **Unpack Carefully:** Lay out all components on a clean, soft surface (like a blanket or cardboard) to prevent scratches during assembly.
- **Identify Parts:** Match each component with the corresponding labels in the assembly guide. Pay close attention to the dimensions of each piece.
- **Drawer Slides:** Ensure the metal roller guides for the drawers are correctly installed and secured for smooth operation.
- **Secure Fasteners:** Tighten all screws and fasteners firmly, but avoid over-tightening to prevent stripping or damaging the particle board.

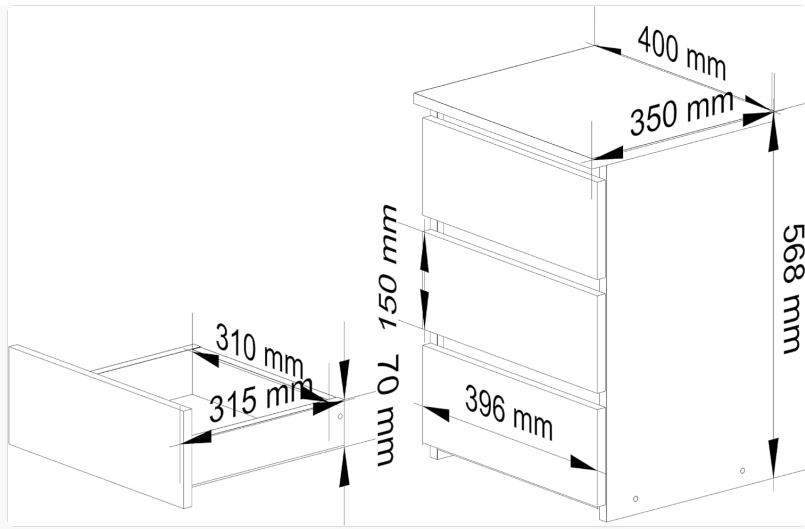


Image 2: Detailed dimensions of the bedside table and its drawers, crucial for assembly and placement.



Image 3: The bedside table with its three drawers extended, showing the internal structure and storage capacity.



Image 4: A close-up view of the metal roller guides, ensuring smooth and reliable drawer operation.

5. OPERATING INSTRUCTIONS

The AKORD CL3 bedside table is designed for simple and intuitive use. Once assembled, it is ready to be used as a storage unit or a surface for lamps, books, and other personal items.

Using the Drawers:

- Gently pull the drawer fronts to open.
- Push the drawer fronts to close. The metal roller guides ensure a smooth and quiet motion.
- Avoid forcing the drawers open or closed, especially if they feel stuck. Check for obstructions or misaligned items inside.
- Do not overload the drawers. Distribute the weight evenly to maintain the integrity of the drawer slides and the unit.



Image 5: The bedside table integrated into a modern living room, demonstrating its versatility.



Image 6: The bedside table positioned next to a bed, highlighting its function as a nightstand.

6. MAINTENANCE

To keep your AKORD CL3 bedside table in excellent condition, follow these simple maintenance guidelines:

- **Cleaning:** Wipe the surfaces with a soft, damp cloth. Avoid using harsh chemicals, abrasive cleaners, or polishes that may damage the finish.
- **Spills:** Immediately wipe up any spills to prevent moisture damage or staining.
- **Sunlight Exposure:** Avoid prolonged exposure to direct sunlight, which can cause fading or discoloration of the finish over time.
- **Heat and Moisture:** Keep the bedside table away from direct heat sources and areas of high humidity.
- **Hardware Check:** Periodically check all screws and fasteners to ensure they remain tight. Retighten if necessary, but do not overtighten.

7. TROUBLESHOOTING

Common Issues and Solutions:

Problem	Possible Cause	Solution
Drawers do not slide smoothly.	Misaligned drawer slides, loose screws, or obstruction.	Check that the metal roller guides are correctly installed and all screws are tightened. Ensure nothing is blocking the drawer's path.
Unit feels wobbly after assembly.	Loose fasteners or uneven surface.	Ensure all assembly screws are fully tightened. Place the unit on a flat, level surface.
Missing or damaged parts.	Packaging error or transit damage.	Do not proceed with assembly. Contact AKORD customer support immediately with your purchase details.

8. SPECIFICATIONS

Feature	Detail
Brand	AKORD
Model Number	OP0LCL340OLCH001
Model Name	CL 3
Color	Alder
Product Dimensions (L x W x H)	35 x 40 x 57 cm (13.8 x 15.7 x 22.4 inches)
Product Weight	13.6 kg (29.98 lbs)
Special Feature	Storage
Furniture Finish	Alder
Room Type	Children's Room, Living Room, Bedroom, Study
Assembly Required	Yes

9. WARRANTY AND SUPPORT

The AKORD CL3 bedside table comes with a **24-month warranty** from the date of purchase, covering manufacturing defects. This warranty does not cover damage caused by improper assembly, misuse, accidents, or normal wear and tear.

For warranty claims, technical support, or inquiries regarding missing/damaged parts, please contact AKORD customer service through your retailer or the official AKORD website. Please have your proof of purchase and model number ready when contacting support.

For the most up-to-date contact information, please refer to the packaging or the official AKORD website.