

[Manuals.plus](#) /

› [Miracle-Gro](#) /

› [Miracle-Gro 6' x 4' x 6' All-Season Greenhouse User Manual](#)

Miracle-Gro 70529

Miracle-Gro 6' x 4' x 6' All-Season Greenhouse User Manual

Model: 70529

1. INTRODUCTION

Thank you for choosing the Miracle-Gro 6' x 4' x 6' All-Season Greenhouse. This portable and durable greenhouse is designed to extend your growing season, protect plants from adverse weather, and promote faster plant growth. Its innovative Luminate Diffusion Fabric cover and robust steel frame provide an optimal environment for your plants year-round.



Figure 1: Miracle-Gro 6' x 4' x 6' All-Season Greenhouse, front view.

2. SAFETY INFORMATION

WARNING: This product contains chemicals known to the State of California to cause cancer and birth defects or other reproductive harm. For more information, go to www.P65Warnings.ca.gov.

- Always assemble the greenhouse on a level surface.
- Ensure all frame connections are secure before attaching the cover.
- Properly anchor the greenhouse to the ground using the provided auger anchors to prevent wind damage.
- Do not use the greenhouse near open flames or heat sources.
- Regularly inspect the frame and cover for damage and wear.

3. PRODUCT FEATURES

The Miracle-Gro Greenhouse is engineered with several key features to optimize plant growth and durability:

- **Durable Steel Frame:** Constructed from 1-3/8" high-grade steel tubing with a premium powder-coat finish to resist chipping, peeling, rust, and corrosion.
- **Luminate Diffusion Fabric Cover:** A triple-layer, ripstop, translucent 5.5 oz polyethylene material that is waterproof and UV-treated. It diffuses light to prevent plant burning and retains heat to slow evaporation.
- **Enhanced Ventilation:** Features Quick-Snap roll-up side panels and half-moon shaped zippered screens on

both end panels for maximum airflow and temperature control.

- **Secure Anchoring:** Includes a 15" auger anchor set to securely fasten the greenhouse to the ground.



Figure 2: Key features of the Miracle-Gro Greenhouse, including frame, cover, and ventilation.

4. ASSEMBLY INSTRUCTIONS

Assembly typically requires two people. Follow these steps carefully for proper setup.

1. **Unpack Components:** Lay out all frame pieces, connectors, and the cover. Verify all parts are present according to the packing list.
2. **Assemble Base Frame:** Connect the base poles using the appropriate connectors. Ensure all connections are snug.
3. **Construct Side and Roof Frames:** Attach the vertical and roof poles, securing them with bolts where indicated. The frame features bolt-together cross rails for stability.



Figure 3: Example of a bolted frame connection for structural integrity.

4. **Attach Cover:** Carefully drape the Luminate Diffusion Fabric cover over the assembled frame. Ensure the cover is centered and aligned correctly.
5. **Secure Cover to Frame:** Use the bungee cord fasteners to lock down the greenhouse cover to the frame, ensuring a drum-tight fit.



Figure 4: Securing the cover with a buckle strap.

- 6. Install Auger Anchors:** Drive the 15" auger anchors into the ground at each corner of the greenhouse. Attach the provided ropes or straps from the greenhouse frame to the anchors, tightening them to secure the structure against wind.

5. OPERATING YOUR GREENHOUSE

Proper operation ensures optimal growing conditions and extends the life of your greenhouse.

5.1. Ventilation

The greenhouse features multiple ventilation options to control temperature and humidity:

- **Zippered Vents:** The half-moon shaped zippered screens on both end panels allow for adjustable airflow. Open them partially or fully to increase circulation.



Figure 5: Opening a zippered vent for airflow.

- **Roll-Up Side Panels:** The Quick-Snap roll-up side panels can be opened to provide additional ventilation and access. Roll them up and secure them with the integrated straps.



Figure 6: Side panel rolled up for increased ventilation.

5.2. Door Access

The front panel features a zippered door for easy entry and exit. Ensure the door is fully closed when not in use to maintain internal temperature and protect plants.

6. MAINTENANCE AND CARE

Regular maintenance will prolong the life and effectiveness of your greenhouse.

- **Cleaning the Cover:** Periodically clean the Luminate Diffusion Fabric cover with mild soap and water. Avoid harsh chemicals or abrasive cleaners that could damage the UV coating.
- **Frame Inspection:** Annually inspect the steel frame for any signs of rust, chipping, or loose connections. Tighten bolts as needed and address any rust spots with appropriate rust-inhibiting paint.
- **Anchor Check:** Regularly check the auger anchors and securing straps, especially after strong winds, to ensure the greenhouse remains firmly anchored.
- **Snow Removal:** In areas with heavy snowfall, gently remove accumulated snow from the roof to prevent structural damage.

7. TROUBLESHOOTING

| Problem | Possible Cause | Solution |
|---------|----------------|----------|
|---------|----------------|----------|

| Problem | Possible Cause | Solution |
|-----------------------------|--|--|
| Greenhouse unstable in wind | Insufficient anchoring; loose straps. | Ensure auger anchors are fully engaged and straps are tightened securely. Consider additional anchoring in very windy areas. |
| Cover does not fit tightly | Improper frame assembly; cover not centered. | Recheck frame assembly for squareness. Adjust cover positioning and re-fasten bungee cords for a drum-tight fit. |
| Excessive humidity inside | Insufficient ventilation. | Open zippered vents and/or roll-up side panels to increase airflow. |
| Rust appearing on frame | Scratches in powder coat; prolonged moisture exposure. | Clean affected area, sand lightly, and apply rust-inhibiting paint. Ensure proper ventilation to reduce condensation. |

8. SPECIFICATIONS

| Feature | Detail |
|----------------------------------|--|
| Model Number | 70529 |
| Assembled Dimensions (L x W x H) | 72" x 48" x 71" (182.9 cm x 121.9 cm x 180.3 cm) |
| Item Weight | 32.2 pounds |
| Frame Material | 1-3/8" Alloy Steel, Powder Coated |
| Cover Material | Triple-layer Ripstop 5.5 oz Polyethylene (PE), UV-treated, Translucent |
| Number of Doors | 1 |
| Number of Vents | 2 (zippered half-moon screens) |
| Color | Translucent with Green trim |
| UPC | 677599705298 |

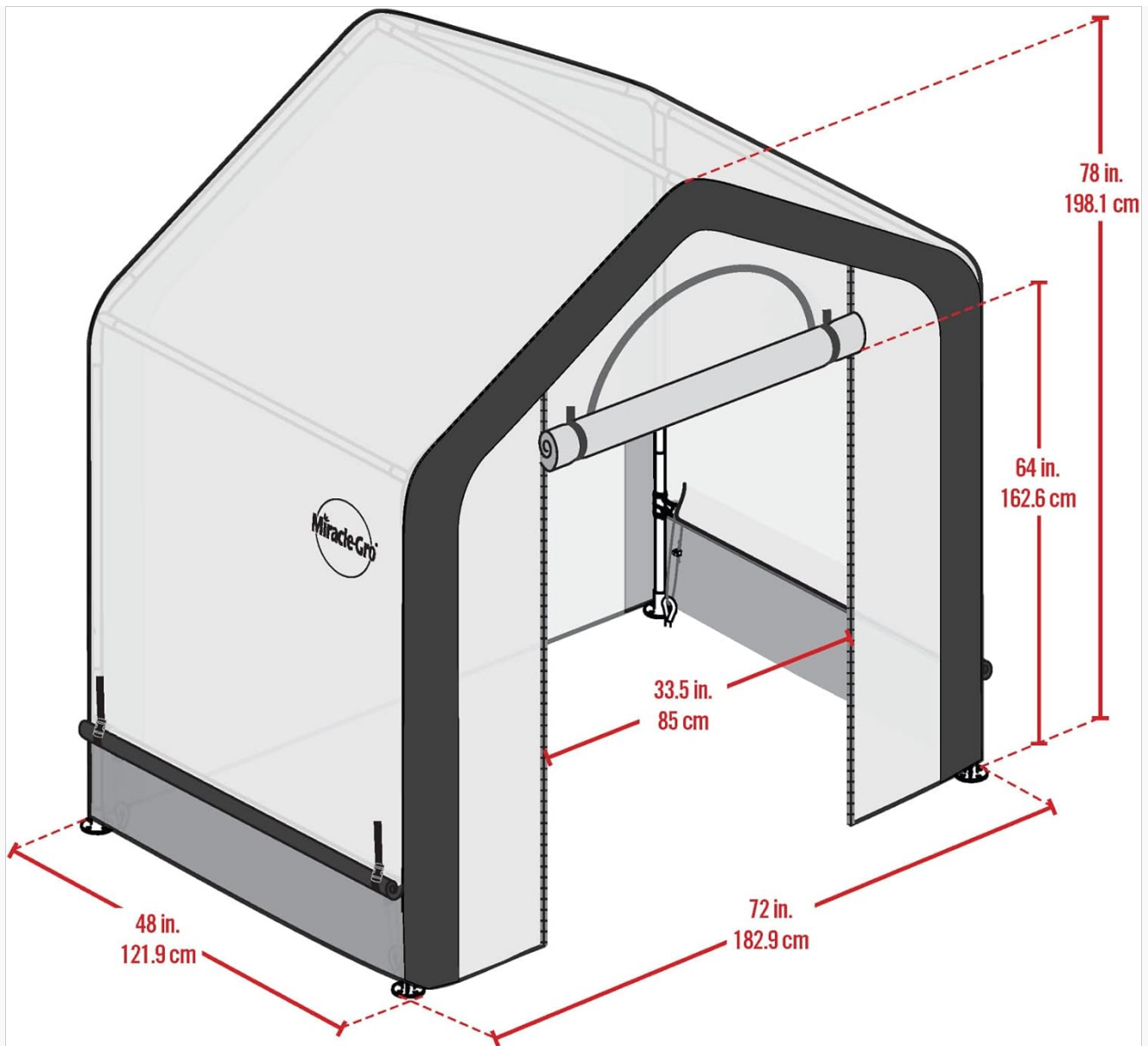


Figure 7: Detailed dimensions of the Miracle-Gro Greenhouse.

9. WARRANTY AND SUPPORT

9.1. Limited Warranty

This Miracle-Gro Greenhouse comes with a **1-Year Limited Warranty**. Please retain your proof of purchase for warranty claims. The warranty covers manufacturing defects under normal use and service.



Figure 8: 1-Year Limited Warranty information.

9.2. Customer Support

For questions, warranty information, ordering parts, or product registration, please contact our USA-based customer service team. Online manuals and how-to videos may also be available.



Figure 9: Customer service details for support.