

Topeakmart B0BW91MBKY

Topeakmart Metal Bed Frame Instruction Manual

Model: B0BW91MBKY

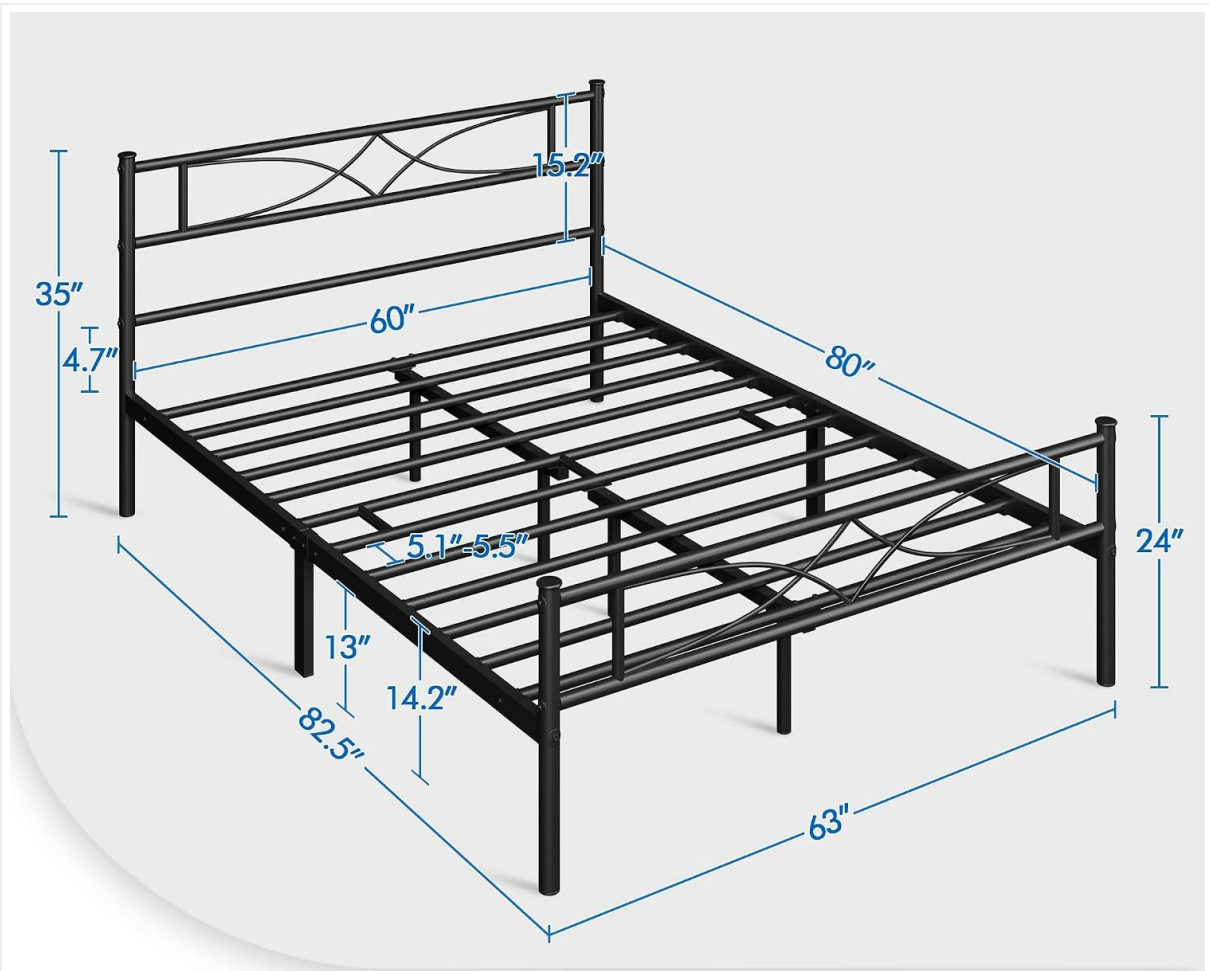
IMPORTANT SAFETY INFORMATION

Please read and understand all instructions before beginning assembly. Keep this manual for future reference. Failure to follow these instructions may result in injury or damage to the product.

- Always assemble the bed frame with at least two people.
- Ensure all parts are present and undamaged before assembly. Do not use if any parts are missing or broken.
- Place the bed frame on a soft, non-abrasive surface (e.g., carpet or rug) during assembly to prevent scratches.
- Do not overtighten screws during initial assembly. Tighten all fasteners securely once the frame is fully assembled.
- Do not exceed the maximum weight capacity of 750 lb (340 kg).
- Regularly check all connections to ensure they remain tight and secure.
- Keep small parts away from children during assembly.

PRODUCT FEATURES AND DIMENSIONS

The Topeakmart Metal Bed Frame features a curved design headboard and footboard, providing a stylish and sturdy foundation for your mattress. It includes 12 built-in steel slats, eliminating the need for a box spring and offering reliable support. The frame also provides 13 inches of underbed clearance for convenient storage.



QUEEN
SIZE



Max. Weight
Capacity
750 lb



Applicable
Mattress Size
80"x 60"

Image: Detailed dimensions of the Queen size bed frame, including overall length (82.5"), width (63"), headboard height (35"), footboard height (24"), and underbed clearance (13").

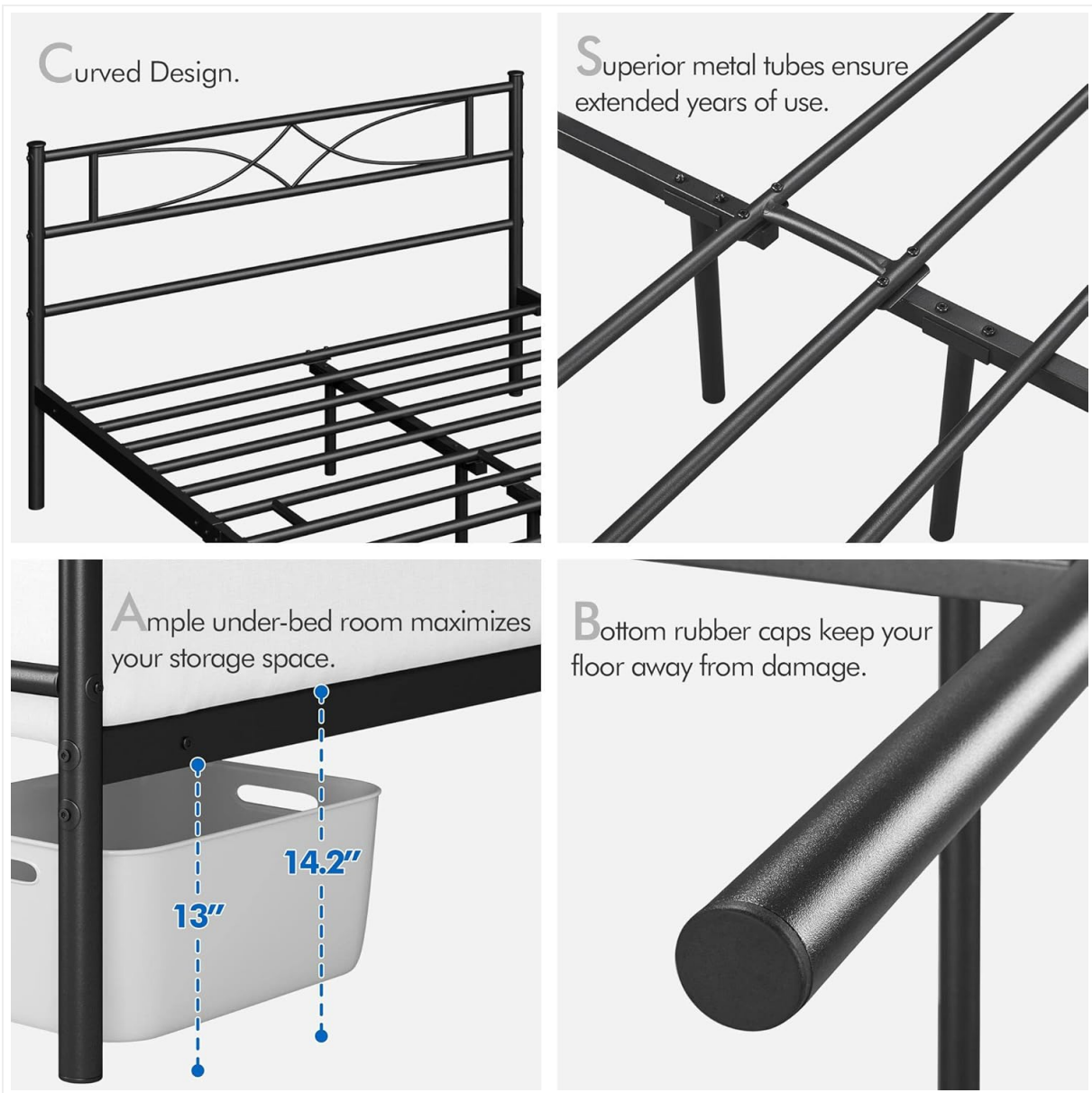


Image: A collage highlighting key features such as the curved headboard and footboard design, superior metal tube construction for durability, ample under-bed storage space, and protective rubber caps on the legs to prevent floor damage.

PACKAGE CONTENTS

Before assembly, verify that all components listed below are present and undamaged. Refer to the assembly video for visual identification of parts and hardware.

Main Components:

- Headboard (Part 3 from video)
- Footboard (Part 7 from video)
- Side Rails (Parts 5 & 6 from video)
- Center Support Beam (Part 4 from video)
- Support Legs (Parts 1, 2, 11, 12 from video)
- Metal Slats (Part 8 from video)

Hardware:

- Various bolts, screws, and washers (Parts A-K from video)

- Hex key (included tool)

ASSEMBLY INSTRUCTIONS

Follow these steps carefully to assemble your Topeakmart Metal Bed Frame. An assembly video is provided for a clearer demonstration.

Your browser does not support the video tag.

Video: Official assembly guide for the Topeakmart Metal Bed Frame, demonstrating each step of the construction process.

Step 1: Assemble the Headboard and Footboard

1. Attach the headboard posts (Part 2) to the headboard panel (Part 3) using bolts (Part C) and washers (Part K). Do not fully tighten yet.
2. Repeat the process for the footboard.



Image: The headboard and footboard sections of the bed frame, showing the curved design and attachment points for the side rails.

Step 2: Assemble the Center Support Structure

1. Connect the center support beam (Part 4) to the side rails (Parts 5 & 6) using bolts (Part F) and

washers (Part H).

2. Ensure the support beam is oriented correctly to align with the bed frame's center.

Step 3: Attach Side Rails to Headboard and Footboard

1. Align the side rails (Parts 5 & 6) with the headboard and footboard posts.
2. Secure the side rails to the headboard and footboard using bolts (Part D) and washers (Part J).
3. Once all connections are made, fully tighten all bolts using the provided hex key.



Image: A close-up view illustrating how the L-shaped plates are fastened to create a stable and secure bed frame structure.

Step 4: Install Support Legs

1. Attach the support legs (Parts 11 & 12) to the designated points on the side rails and center support beam using bolts (Part A) and washers (Part K).
2. Ensure all legs are firmly attached and stable.

Step 5: Install Metal Slats

1. Place the metal slats (Part 8) across the bed frame, fitting them into the designated slots on the side rails.
2. Secure each slat by inserting the provided fasteners (Part D) and tightening them.

3. Ensure all slats are evenly spaced and securely fastened to prevent mattress movement.



Image: A detailed view of the built-in metal slats, designed to prevent the mattress from sliding and provide stable support.

USAGE AND CARE

Mattress Compatibility

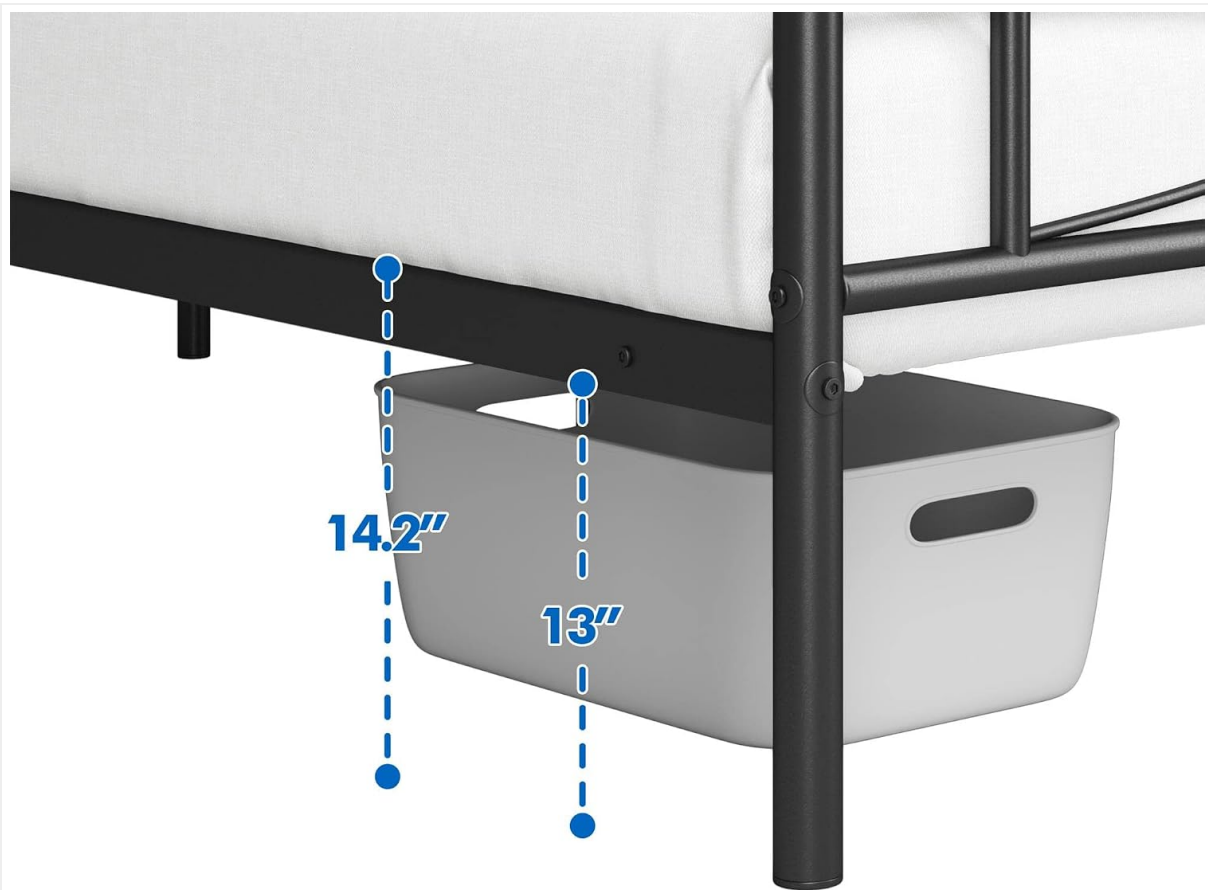
This Queen size bed frame is designed to accommodate a mattress with dimensions of approximately 80" L x 60" W. No box spring is required due to the integrated slat support system.

Weight Capacity

The maximum weight capacity for this bed frame is 750 lb (340 kg). Do not exceed this limit to ensure safety and product longevity.

Cleaning and Maintenance

To clean the metal bed frame, wipe it down with a soft, damp cloth. Avoid using harsh chemicals or abrasive cleaners, as these can damage the powder-coated finish. The 13-inch ground clearance allows for easy cleaning underneath the bed with a vacuum cleaner or mop.



13 inch of Ground Clearance

Make full use of the space under the bed for storage.

Image: A diagram illustrating the 13-inch ground clearance, highlighting the ample space available for under-bed storage solutions.

TROUBLESHOOTING

Squeaking Noises

If the bed frame develops squeaking noises, check the following:

- **Tighten all bolts:** Over time, bolts may loosen. Re-tighten all assembly bolts, especially those connecting the side rails to the headboard and footboard, and the center support beam.
- **Check slat placement:** Ensure all metal slats are properly seated in their designated slots and securely fastened.
- **Inspect support legs:** Verify that all support legs are firmly attached and making even contact with the floor.

SPECIFICATIONS

Attribute	Detail
Brand	Topeakmart

Model	B0BW91MBKY
Size	Queen
Material	Iron
Color	Black
Finish Type	Powder Coated
Overall Dimensions	82.5" L x 63" W x 35" H
Compatible Mattress Size	80" L x 60" W
Maximum Weight Capacity	750 lb
Underbed Clearance	13 inches
Assembly Required	Yes

WARRANTY AND SUPPORT

For warranty information or technical support, please contact Topeakmart customer service. Details can typically be found on the product packaging or the official Topeakmart website. Please have your model number (B0BW91MBKY) and purchase date available when contacting support.