

Manuals.plus /

- › [IKEA](#) /
- › [IKEA MYLLRA Changing Table with Drawers, White User Manual](#)

## IKEA MYLLRA (IK.704.835.80)

# IKEA MYLLRA Changing Table with Drawers

Model: MYLLRA (IK.704.835.80)

## PRODUCT OVERVIEW

---

The IKEA MYLLRA Changing Table with Drawers is a versatile furniture piece designed for nurseries, offering a safe and convenient space for changing diapers while providing ample storage. Its thoughtful design allows for transformation into a dresser and wall shelf as your child grows, ensuring long-term utility. The design and color are compatible with the IKEA SMÅstad series, allowing for cohesive room arrangements.



**Figure 1:** Front view of the IKEA MYLLRA Changing Table, showcasing its clean white finish and wooden knobs. This image illustrates the primary function as a changing station with integrated storage drawers.

## Key Features:

- **Convertible Design:** The front section of the changing table can be removed and repurposed as a decorative wall shelf once the changing function is no longer needed.
- **Accessible Storage:** A pull-out board located above the top drawer provides easy access to diapers and clothing, allowing you to keep one hand on your baby at all times.
- **Ergonomic Height:** Designed at a comfortable height for changing babies, reducing strain for caregivers.
- **Drawer Safety:** Equipped with a drawer stop mechanism to prevent drawers from being pulled out completely and falling.
- **Smooth Operation:** Spacious drawers glide smoothly and close softly and quietly.

## SAFETY INFORMATION

---

Please read and understand all safety instructions before assembling and using the IKEA MYLLRA Changing Table. Failure to follow these instructions may result in serious injury or death.

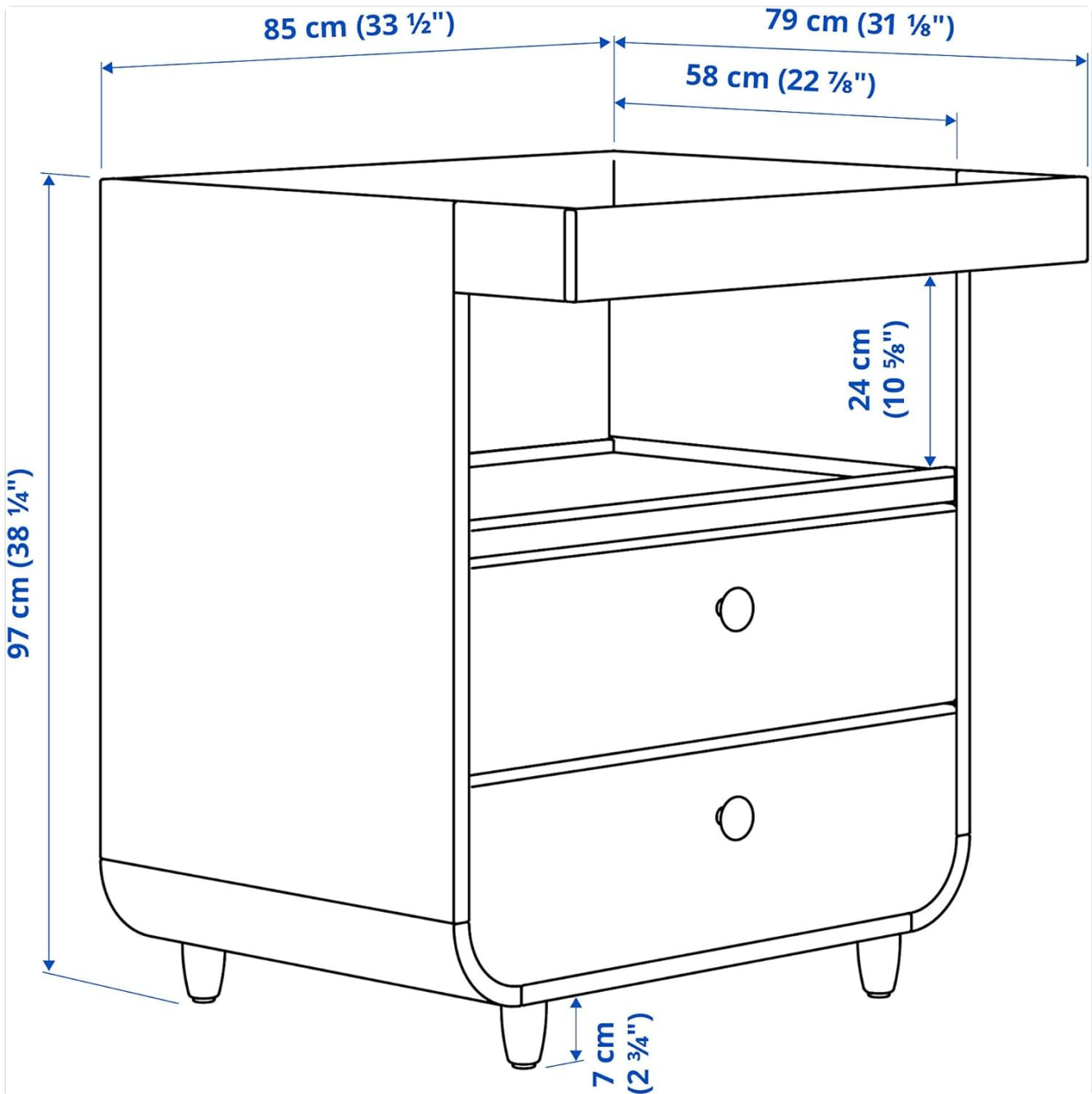
- **Fall Hazard:** Never leave a child unattended on the changing table. Always keep one hand on your child while changing.
- **Assembly:** Ensure all parts are correctly assembled and tightened according to the assembly instructions. Regularly check all fittings and re-tighten as necessary.
- **Stability:** This changing table must be securely fastened to the wall using the provided wall attachment device to prevent tipping. Different wall materials require different types of fastening devices. Use fastening devices suitable for the walls in your home.
- **Weight Limit:** Do not exceed the recommended weight limit for the changing surface. Refer to the assembly instructions for specific weight guidelines.
- **Choking Hazard:** Keep small parts and assembly hardware away from children.
- **Entrapment Hazard:** Do not place the changing table near windows where cords from blinds or drapes could strangle a child.

## SETUP AND ASSEMBLY

---

The IKEA MYLLRA Changing Table requires assembly. Detailed step-by-step instructions are included in the product packaging. Please follow these instructions carefully to ensure proper and safe assembly.

1. Unpack all components and verify against the parts list provided in the assembly manual.
2. Assemble the main frame of the changing table according to the diagrams.
3. Install the drawers, ensuring the drawer stops are correctly positioned for smooth and safe operation.
4. Attach the changing top securely to the main unit.
5. **Crucial Step:** Secure the changing table to the wall using the anti-tip device provided. This is essential for preventing the unit from tipping over, especially as your child grows and becomes more active.



**Figure 2:** Dimensional diagram of the IKEA MYLLRA Changing Table, showing key measurements in centimeters and inches. This diagram is useful for planning placement and understanding the overall size of the unit.

## OPERATING INSTRUCTIONS

---

### Using as a Changing Table:

- Place a changing pad (sold separately) on the top surface within the raised edges.
- Utilize the pull-out board above the top drawer to keep essential changing supplies (diapers, wipes, creams) within easy reach.
- Store extra clothing, blankets, or other baby essentials in the spacious drawers below.



**Figure 3:** The changing table in a nursery environment, demonstrating its use with a changing pad and showing how items can be stored on the pull-out shelf and within the drawers.

### **Converting to a Dresser and Wall Shelf:**

Once your child no longer needs a changing table, the MYLLRA unit can be easily converted:

1. Carefully remove the top changing unit section. Refer to the original assembly manual for specific disassembly steps.
2. The remaining base unit functions as a standalone dresser with two spacious drawers.
3. The removed top section can be mounted on a wall as a decorative shelf. Ensure proper wall anchors are used for secure installation.



**Figure 4:** The IKEA MYLLRA unit after conversion, functioning as a dresser with the top changing section repurposed as a wall-mounted shelf, demonstrating its adaptability for a growing child's room.

## MAINTENANCE

---

- **Cleaning:** Wipe clean with a damp cloth and a mild cleaner. Wipe dry with a clean cloth. Avoid abrasive cleaners or harsh chemicals that could damage the finish.
- **Regular Checks:** Periodically check all assembly fittings and re-tighten them if necessary to ensure the stability and safety of the unit.
- **Drawer Care:** If drawers become stiff, ensure they are not overloaded. You may apply a small amount of silicone spray or paraffin wax to the drawer runners if needed, but typically IKEA drawers are designed for smooth operation without additional lubrication.



**Figure 5:** A close-up view of the natural wood knob, highlighting the material and design detail. Regular cleaning of such components helps maintain the aesthetic appeal of the furniture.

## TROUBLESHOOTING

Problem	Possible Cause	Solution
Unit feels wobbly or unstable.	Loose fittings or not properly secured to the wall.	Check and re-tighten all screws and bolts. Ensure the anti-tip device is correctly installed and securely fastened to a suitable wall stud or with appropriate wall anchors.
Drawers do not slide smoothly.	Overloaded drawers, debris in runners, or misaligned runners.	Reduce drawer contents. Clean drawer runners of any dust or debris. Check if drawers are correctly installed on their runners.
Drawer stops not functioning.	Drawer stop mechanism incorrectly installed or damaged.	Refer to the assembly manual to verify correct installation of the drawer stop. If damaged, contact IKEA customer service for replacement parts.

## SPECIFICATIONS

---

**Model Name:** MYLLRA

**Model Number:** IK.704.835.80

**Brand:** IKEA

**Color:** White

**Material:** Wood-based panels, wooden knobs (specific wood type not provided, typically solid birch or beech for IKEA knobs).

**Dimensions (Approximate):**

- Height: 97 cm (38 ¼")
- Width: 85 cm (33 ½")
- Depth: 79 cm (31 ⅛") at changing surface, 58 cm (22 ⅞") for main unit.
- Leg Height: 7 cm (2 ¾")
- Shelf Height (above top drawer): 24 cm (10 ⅝")

**Features:** Convertible design (changing table to dresser/wall shelf), pull-out board, soft-closing drawers, drawer stops.

## WARRANTY AND SUPPORT

---

For information regarding product warranty, returns, or replacement parts, please refer to the official IKEA website or contact IKEA customer service directly. Keep your proof of purchase (receipt) for any warranty claims.

**IKEA Official Website:** [www.ikea.com](http://www.ikea.com)

**Customer Service:** Refer to the contact information provided on the IKEA website for your region.