

Manuals+

[Q & A](#) | [Deep Search](#) | [Upload](#)

manuals.plus /

› [IKEA](#) /

› [IKEA SMÅSTAD Wardrobe with Pull-Out Unit, 150x57x196 cm, White White/with Storage Bench User Manual](#)

IKEA SMÅSTAD

IKEA SMÅSTAD Wardrobe with Pull-Out Unit User Manual

Model: SMÅSTAD | Dimensions: 150x57x196 cm

INTRODUCTION

This manual provides essential information for the assembly, operation, maintenance, and troubleshooting of your IKEA SMÅSTAD Wardrobe with Pull-Out Unit. Please read it carefully before beginning assembly or use to ensure safe and correct handling of the product.

SETUP AND ASSEMBLY

The IKEA SMÅSTAD Wardrobe with Pull-Out Unit requires assembly. It is recommended that two adults perform the assembly. Ensure all parts are present before starting.

Required Tools

- Screwdriver (Phillips head)
- Hammer
- Measuring tape
- Level

Assembly Steps

1. **Unpack and Verify:** Carefully unpack all components and compare them against the parts list provided in the packaging. Report any missing or damaged parts immediately.
2. **Prepare Workspace:** Choose a clean, flat, and spacious area for assembly. Lay down a blanket or cardboard to protect the floor and furniture parts.
3. **Assemble Base Unit:** Begin by assembling the base storage bench unit. Follow the numerical sequence in the included IKEA assembly instructions.
4. **Assemble Wardrobe Frame:** Construct the main wardrobe frame, ensuring all connections are secure.
5. **Install Shelves and Pull-Out Unit:** Insert the two shelves and assemble the pull-out unit according to the diagrams.
6. **Attach Doors:** Mount the wardrobe doors and the pull-out unit's front panel. Adjust hinges for proper alignment.

7. **Secure to Wall:** For safety, it is crucial to secure the wardrobe to the wall using the provided anti-tip hardware. This prevents tipping hazards.



Image: The assembled IKEA SMÅSTAD Wardrobe with Pull-Out Unit, showing its combined structure of a tall wardrobe and an integrated

storage bench.



Image: The IKEA SMÅSTAD Wardrobe with Pull-Out Unit integrated into a child's bedroom setting, demonstrating its functional use with storage and seating.

OPERATION

The SMÅSTAD Wardrobe with Pull-Out Unit is designed for organizing clothes and other items, particularly suitable for a child's room. Its features include a tall wardrobe section and a lower pull-out storage bench.

Using the Wardrobe Section

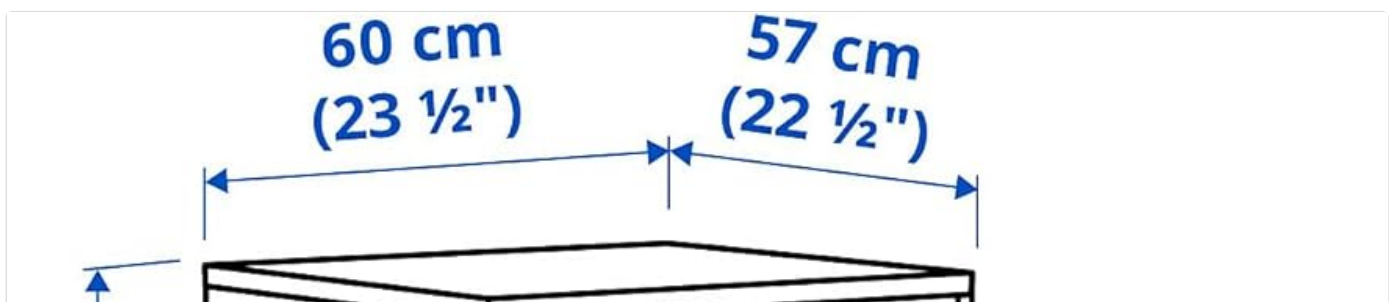
- Open the wardrobe doors to access the interior.
- Utilize the adjustable shelves for folded clothes or storage bins.
- The wardrobe is designed for clothes storage.

Using the Pull-Out Unit (Storage Bench)

- The lower section features a pull-out unit, which functions as a storage bench.
- Gently pull the front panel to slide out the storage compartment.
- Store toys, books, or other items within the pull-out unit.
- The top surface of the pull-out unit can be used as a seating bench.



Image: A technical drawing illustrating the dimensions of the pull-out storage bench component of the SMÅSTAD unit, including its width, depth, and height.



196 cm (77 1/4")

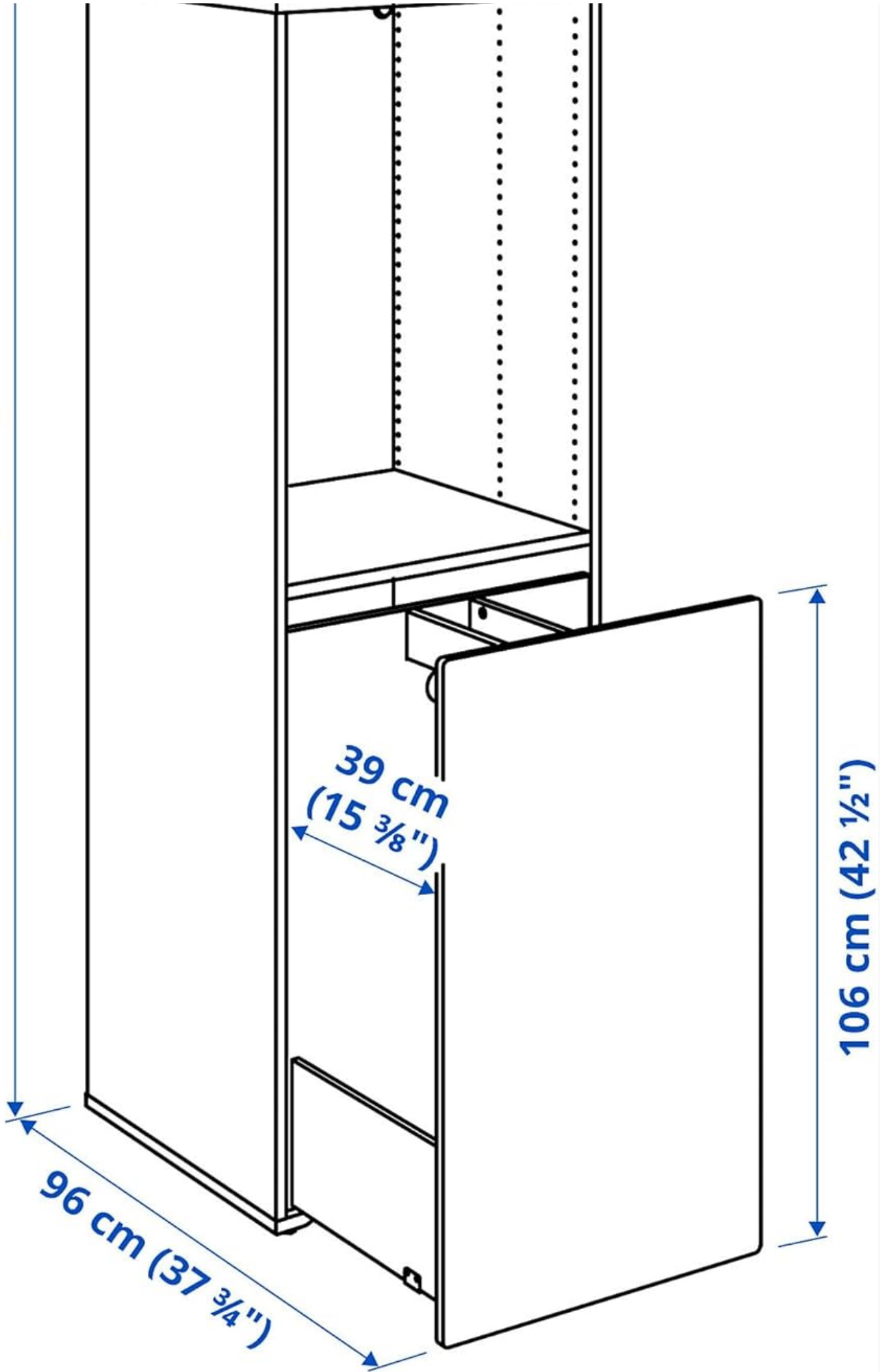


Image: A technical drawing illustrating the dimensions of the tall wardrobe component of the SMÅSTAD unit, including its height, width, and depth, and internal shelf placement.

MAINTENANCE AND CARE

Proper care will extend the life and appearance of your SMÅSTAD Wardrobe.

Cleaning

- Wipe clean with a damp cloth and a mild cleaner.
- Wipe dry with a clean cloth.
- Avoid abrasive cleaners or harsh chemicals, as they can damage the finish.

General Care

- Regularly check and tighten all assembly fittings to ensure stability.
- Do not overload shelves or the pull-out unit beyond their capacity.
- Keep the unit away from direct sunlight and excessive moisture to prevent warping or discoloration.

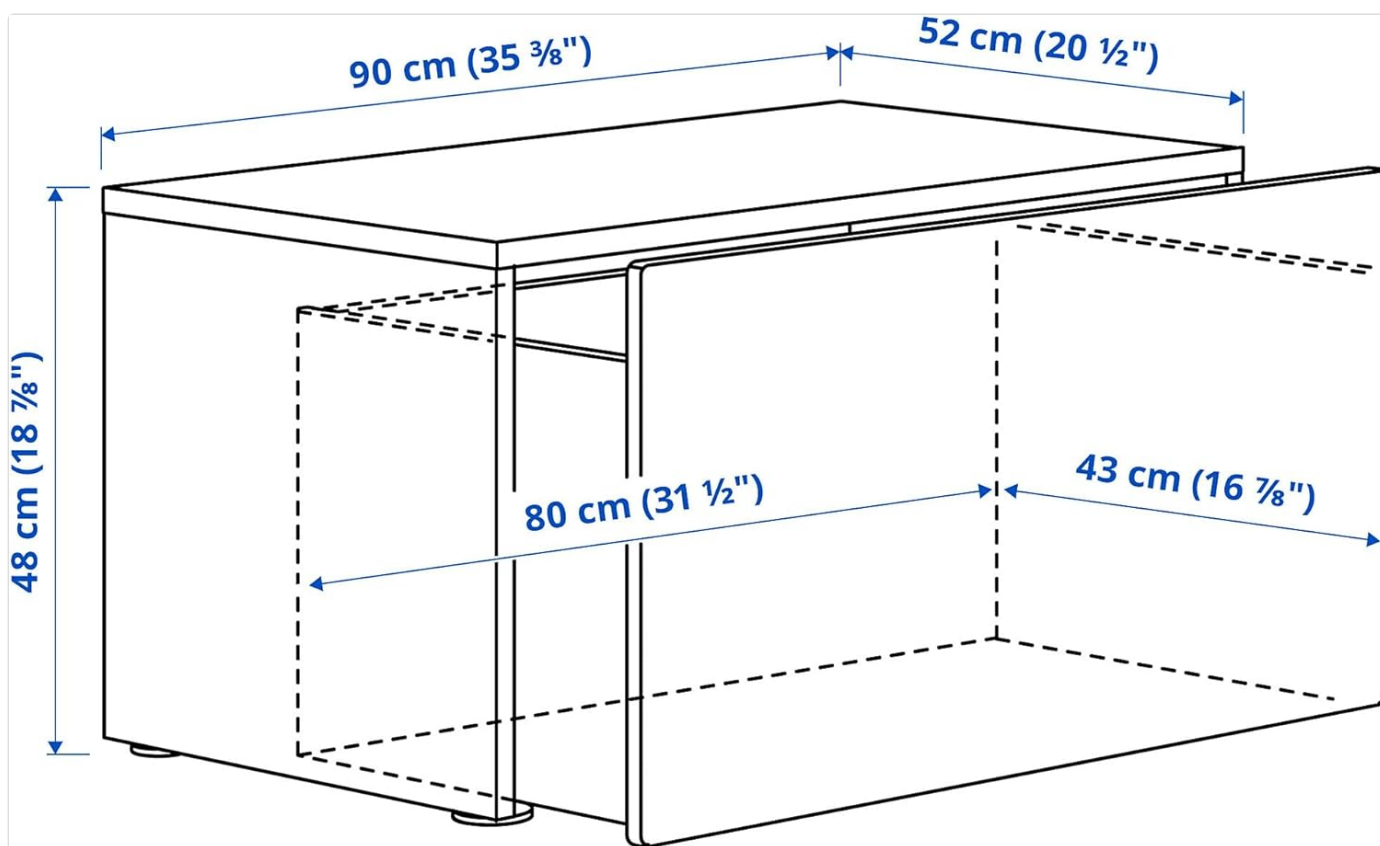


Image: A close-up view of the white surface of the SMÅSTAD wardrobe, showing the smooth finish and material texture.

TROUBLESHOOTING

Problem	Possible Cause	Solution
Unit feels wobbly or unstable.	Loose fittings or not properly secured to the wall.	Check and tighten all screws and bolts. Ensure the anti-tip hardware is correctly installed and secured to a wall stud or appropriate anchor.

Problem	Possible Cause	Solution
Doors do not close properly or are misaligned.	Hinges are loose or require adjustment.	Adjust the screws on the hinges to align the doors. Refer to the original assembly instructions for hinge adjustment details.
Pull-out unit is difficult to slide.	Obstruction in the runners or runners are dirty.	Check for any objects blocking the runners. Clean the runners with a damp cloth. Ensure the unit is not overloaded.

SPECIFICATIONS

Feature	Detail
Model Name	SMÅSTAD Wardrobe with Pull-Out Unit
Brand	IKEA
Dimensions (Overall)	150 cm (Width) x 57 cm (Depth) x 196 cm (Height)
Color	White
Material	Wood
Number of Shelves	2 (adjustable)
Room Type	Kid's Room
Mounting Type	Floor Mount (with wall attachment recommended)

WARRANTY INFORMATION

IKEA products typically come with a limited warranty. For specific warranty terms and conditions for the SMÅSTAD Wardrobe with Pull-Out Unit, please refer to the warranty documentation included with your purchase or visit the official IKEA website. Keep your proof of purchase for warranty claims.

CUSTOMER SUPPORT

For further assistance, missing parts, or technical support, please contact IKEA customer service. You can find contact information on the official IKEA website or in the documentation provided with your product.

Online Support: Visit [IKEA Customer Service](#)

When contacting support, please have your product model name (SMÅSTAD) and purchase details ready.



