



[Manuals.plus](#) /

> [Ikea](#) /

> Ikea BLECKBERGET Swivel Chair Idekulla Dark Grey Instruction Manual

Ikea BLECKBERGET

Ikea BLECKBERGET Swivel Chair Instruction Manual

Model: BLECKBERGET (IK.504.830.53)

1. INTRODUCTION

Thank you for choosing the Ikea BLECKBERGET Swivel Chair. This manual provides essential information for the safe assembly, operation, and maintenance of your chair. Please read these instructions carefully before use and retain them for future reference.



Image 1.1: The Ikea BLECKBERGET Swivel Chair, Idekulla Dark Grey.

2. SAFETY INFORMATION

Your safety is paramount. Please observe the following guidelines:

- **Pressure-Sensitive Braking Casters:** The safety casters are designed with a pressure-sensitive brake mechanism. This feature keeps the chair securely in place when you stand up and automatically releases when you sit down. Ensure the casters are functioning correctly for safe use.
- **Maximum Weight Capacity:** The recommended maximum weight capacity for this chair is **150 kilograms (330 lbs)**. Do not exceed this limit to prevent damage to the chair and potential injury.
- **Regular Inspection:** Periodically check all screws and connections to ensure they are tight. Retighten if necessary.
- **Proper Use:** Use the chair only for its intended purpose as an office or desk chair. Avoid standing on the chair or using it as a step stool.

3. PRODUCT FEATURES

The BLECKBERGET swivel chair is designed for comfort and functionality, inspired by traditional chairs from the 1950s and 60s, adapted for modern living and working environments.

- **Swivel Function:** Allows for easy rotation, providing flexibility and access to different areas of your workspace without needing to move the entire chair.
- **Height Adjustment:** The seat height can be easily adjusted to suit your preference and desk height, ensuring an ergonomic sitting position.
- **Pressure-Sensitive Casters:** Equipped with safety casters that lock when you stand up and unlock when you sit down, preventing the chair from rolling away unintentionally.



Image 3.1: Underside view of the seat, highlighting the height adjustment lever.

4. SETUP (ASSEMBLY)

The Ikea BLECKBERGET Swivel Chair requires assembly. Detailed assembly instructions are provided separately with the product packaging. Please follow those instructions carefully to ensure correct and safe assembly. All necessary tools and hardware are typically included.

If you have misplaced the assembly instructions, please visit the official Ikea website or contact Ikea customer support for assistance.



Image 4.1: The BLECKBERGET chair integrated into a home office environment.

5. OPERATING INSTRUCTIONS

5.1. Adjusting Seat Height

1. To **raise** the seat: While standing, pull the lever located under the right side of the seat upwards. The seat will rise automatically. Release the lever when the desired height is reached.
2. To **lower** the seat: While seated, pull the lever located under the right side of the seat upwards. The seat will lower under your body weight. Release the lever when the desired height is reached.

5.2. Using the Swivel Function

The chair's seat and backrest are designed to swivel 360 degrees. Simply rotate the chair to face your desired direction. No specific lever or button is required for this function.

5.3. Understanding the Casters

The casters (wheels) on your BLECKBERGET chair are pressure-sensitive. This means:

- When you **stand up**, the casters will lock, preventing the chair from rolling away.
- When you **sit down**, the casters will unlock, allowing the chair to roll freely.



Image 5.1: Detail of the pressure-sensitive casters on the chair base.

6. MAINTENANCE AND CARE

To ensure the longevity and appearance of your BLECKBERGET chair, follow these simple care instructions:

- **Cleaning:** Wipe clean with a damp cloth. For more stubborn stains on the fabric, use a mild textile cleaner as recommended by Ikea. Do not use abrasive cleaners or harsh chemicals.
- **Frame Care:** The alloy steel frame can be wiped clean with a damp cloth and mild detergent. Dry thoroughly.
- **Caster Maintenance:** Periodically clean any dust or debris from the casters to ensure smooth rolling.

- **Tighten Screws:** Regularly check and retighten all assembly screws to maintain stability and safety.

7. TROUBLESHOOTING

If you encounter any issues with your BLECKBERGET chair, consider the following common solutions:

- **Chair feels wobbly:** Check all assembly screws and bolts. Retighten any loose connections. Ensure the chair is on a flat, even surface.
- **Casters not rolling smoothly:** Inspect casters for trapped hair, dust, or debris. Clean them thoroughly. Ensure the floor surface is suitable for casters.
- **Height adjustment not working:** Check if the lever is fully engaged. If the gas lift mechanism seems faulty, contact Ikea customer support.
- **Casters not locking/unlocking:** Verify that the pressure-sensitive mechanism is not obstructed. Ensure the chair is being used within its weight capacity.

8. SPECIFICATIONS

Feature	Detail
Brand	Ikea
Model Name	BLECKBERGET
Model Number	IK.504.830.53
Color	Idekulla Dark Grey
Material (Frame)	Alloy Steel
Material (Seat)	Foam
Special Features	Adjustable Height, Swivel, Pressure-Sensitive Casters
Maximum Weight Capacity	150 kg (330 lbs)
Seat Width	47 cm (18 1/2")
Total Width	68 cm (26 3/4")
Backrest Height	93 cm (36 5/8")
Seat Depth	43 cm (16 7/8")
Adjustable Seat Height	46 cm (18 1/8") - 57 cm (22 1/2")

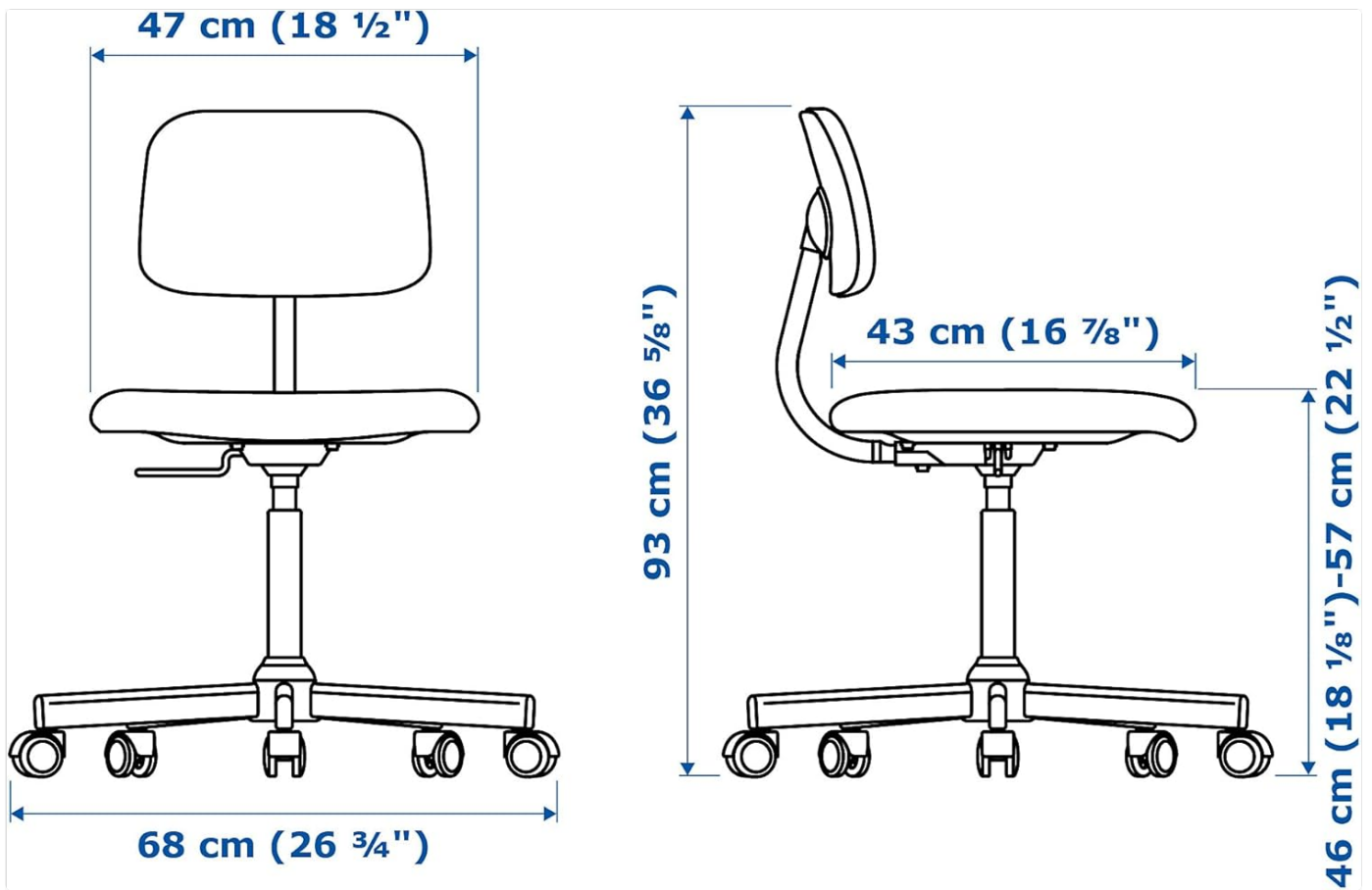


Image 8.1: Dimensional diagram of the BLECKBERGET chair.

9. WARRANTY AND SUPPORT

For information regarding warranty coverage, spare parts availability, or any other support needs, please refer to your purchase receipt or visit the official Ikea website. You can also contact Ikea customer service directly for assistance.

Ikea Official Website: www.ikea.com