

[Manuals.plus](#) /

> [Ikea](#) /

> IKEA HEMNES Shoe Cabinet, White, 4 Compartments Instruction Manual

Ikea HEMNES

IKEA HEMNES Shoe Cabinet, White, 4 Compartments

Instruction Manual

1. PRODUCT OVERVIEW

The IKEA HEMNES shoe cabinet is designed to help organize and store your footwear efficiently, saving floor space. Its classic design complements various home decors, and the four compartments provide ample storage while allowing shoes to ventilate, helping them stay fresh longer. The cabinet features a design with front legs only, allowing it to be placed close to the wall over skirting boards.



Image 1.1: The IKEA HEMNES shoe cabinet in a typical hallway environment, showcasing its compact design and storage capacity.

2. SAFETY INFORMATION

Important Safety Warning: To prevent tipping, this furniture must be securely fastened to the wall using the wall attachment device(s) provided. Always use screws and wall plugs suitable for your walls. If you are uncertain about the type of wall fittings to use, consult a professional. Avoid overloading the cabinet. Always follow the assembly instructions carefully for safe installation and use.

3. SETUP AND ASSEMBLY

The IKEA HEMNES shoe cabinet requires assembly. Please refer to the separate assembly instructions included with your product for detailed, step-by-step guidance. Ensure all components are present before beginning assembly. Proper assembly is crucial for the stability and safety of the unit.

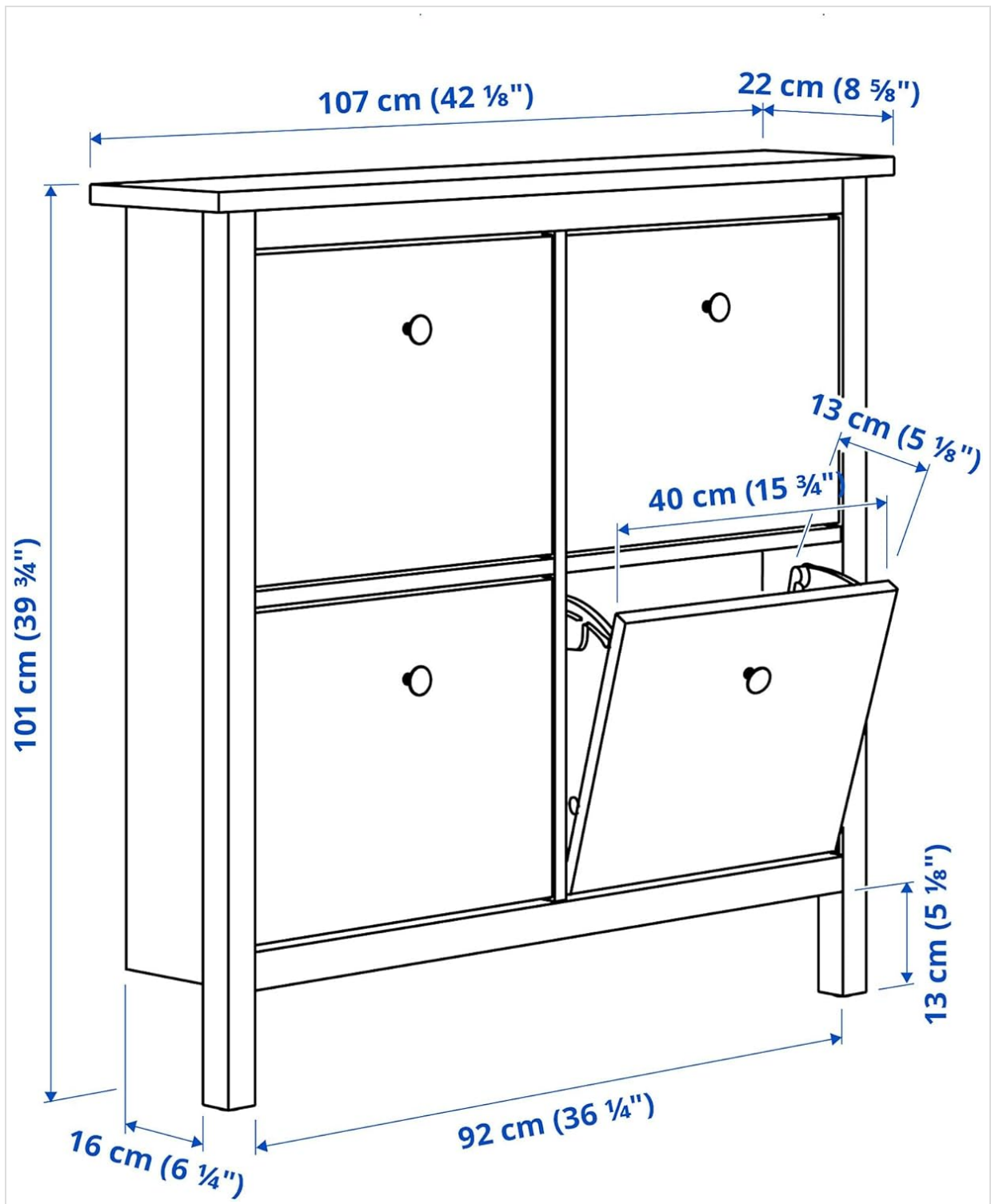


Image 3.1: Dimensional diagram of the shoe cabinet, indicating overall height (101 cm), width (107 cm), and depth (22 cm).

Wall Attachment: As per the safety warning, it is mandatory to secure the cabinet to the wall. Use appropriate hardware for your wall material. This prevents the cabinet from tipping over, especially if children are present or if the drawers are opened simultaneously.

4. OPERATING INSTRUCTIONS

The HEMNES shoe cabinet features four tilt-out compartments designed for shoe storage. Each compartment can hold multiple pairs of shoes, depending on their size and style. To use, simply pull the handle to tilt the compartment open, place your shoes inside, and then gently push it back to close.



Image 4.1: The shoe cabinet with all four compartments open, illustrating how shoes are stored and ventilated within each section.

The design allows for good air circulation, which is beneficial for shoe preservation. Avoid forcing the compartments if they feel stiff; ensure no items are obstructing their movement. Do not place excessively heavy items in the compartments, as this may affect the tilting mechanism or overall stability.

5. MAINTENANCE

To keep your HEMNES shoe cabinet in optimal condition, follow these maintenance guidelines:

- **Cleaning:** Wipe clean with a dry cloth. For stubborn marks, a damp cloth with a mild cleaner can be used, followed by drying with a clean, dry cloth.
- **Avoid Moisture:** Do not expose the cabinet to excessive moisture or direct water, as this can damage the wood material.
- **Hardware Check:** Periodically check all assembly fittings and re-tighten them if necessary to ensure the cabinet remains stable.
- **Surface Care:** Protect the top surface from scratches by using coasters or protective mats if placing decorative items.



Image 5.1: Detail of the handle, which should be regularly checked for tightness during maintenance.

6. TROUBLESHOOTING

- **Compartments not closing smoothly:** Check for any obstructions inside the compartment or along the runners. Ensure shoes are placed correctly and not overhanging.
- **Cabinet feels wobbly:** Verify that the cabinet is securely attached to the wall. Re-tighten all assembly screws. Ensure the floor is level; use furniture glides if necessary to stabilize.
- **Damage during assembly:** If any parts are damaged or missing, do not proceed with assembly. Contact IKEA customer support for replacement parts.

7. SPECIFICATIONS

Brand	IKEA
Model Name	HEMNES
Color	White
Material	Engineered Wood
Dimensions (W x D x H)	107 cm x 22 cm x 101 cm (approximately 42 x 8.7 x 39.8 inches)
Number of Compartments	4
Assembly Required	Yes
Mounting Type	Floor Mount (with mandatory wall attachment)

Care Instructions	Wipe clean with a dry cloth
--------------------------	-----------------------------

8. WARRANTY AND SUPPORT

IKEA products are designed with quality and durability in mind. For information regarding the specific warranty period and terms applicable to your HEMNES shoe cabinet, please refer to your purchase receipt or visit the official IKEA website for your region. For any questions, missing parts, or assistance with assembly or product use, please contact IKEA customer service directly. Contact details can be found on the IKEA website or in your purchase documentation.