

Manuals+

[Q & A](#) | [Deep Search](#) | [Upload](#)

manuals.plus /

- › [Ikea](#) /
- › [IKEA HEMNES Coffee Table User Manual](#)

Ikea HEMNES

IKEA HEMNES Coffee Table User Manual

MODEL: HEMNES (IK.101.762.87)

1. Introduction

Welcome to the user manual for your new IKEA HEMNES Coffee Table. This manual provides essential information for the safe assembly, proper use, and effective maintenance of your furniture. Please read it thoroughly before beginning assembly or use to ensure a long lifespan for your product.



Figure 1: IKEA HEMNES Coffee Table, showcasing its clean lines and white stain finish.

The HEMNES coffee table is crafted from solid pine wood, a natural and renewable material that develops a unique character over time. It features a convenient separate shelf for magazines and other items, helping to keep your tabletop clear and organized.

2. Safety Information

Always prioritize safety when assembling and using furniture. Improper assembly or use can lead to injury or damage.

- **Assembly:** Follow all assembly instructions carefully. Ensure all screws and fittings are tightened securely before use. Periodically check and re-tighten fittings as needed.
- **Stability:** This coffee table is designed to be stable on flat, level surfaces. Do not place excessively heavy items on the table or shelf.
- **Children:** Keep small parts out of reach of children during assembly. Do not allow children to climb or stand on the table.
- **Heat and Moisture:** Avoid placing hot items directly on the table surface without protection. Protect the table from excessive moisture.

3. Setup and Assembly

While specific step-by-step diagrams are not provided here, the general assembly process for the HEMNES coffee table involves attaching the legs and the lower shelf to the tabletop. All necessary fittings are included with your purchase.

Required Tools:

- Screwdriver (appropriate type for included screws, usually Phillips head)
- Hammer (for dowels, if applicable)

Assembly Steps (General):

1. Unpack all components and verify against the parts list provided in your product packaging.
2. Attach the legs to the tabletop using the provided screws and fittings. Ensure they are firmly secured.
3. Assemble the lower shelf frame, if separate, and then attach it to the legs at the designated height.
4. Place the table upright and gently test its stability.
5. Tighten all screws and fittings once the table is fully assembled and stable. Do not overtighten.

4. Operating and Usage

The IKEA HEMNES Coffee Table is designed for everyday use in living spaces. Its robust construction

and practical design make it suitable for various functions.



Figure 2: The HEMNES coffee table integrated into a living room, demonstrating its functional use.

- **Tabletop:** Use the main tabletop for placing drinks, books, decorative items, or for casual dining. Consider using coasters to protect the surface from spills and heat marks.
- **Storage Shelf:** The lower shelf is ideal for organizing magazines, remote controls, small baskets, or other items you wish to keep within reach but off the main surface.
- **Weight Capacity:** Do not overload the table or the shelf. Distribute weight evenly to maintain stability.

5. Maintenance and Care

Proper care will help preserve the beauty and longevity of your HEMNES coffee table.

Cleaning Instructions:

- **Daily Cleaning:** Wipe clean with a damp cloth. Use a mild cleaner if necessary, then wipe dry with

a clean cloth.

- **Stains:** For tougher stains, use a gentle wood cleaner. Always test on an inconspicuous area first.
- **Avoid:** Do not use abrasive cleaners, strong chemicals, or harsh scrubbing pads, as these can damage the finish.

General Care:

- **Sunlight:** Avoid prolonged exposure to direct sunlight, which can cause fading or discoloration over time.
- **Humidity:** Maintain a stable room temperature and humidity level to prevent wood from warping or cracking.
- **Protection:** Use felt pads under items placed on the table to prevent scratches.



Figure 3: Close-up view of the solid pine wood with white stain finish, highlighting the natural grain.

6. Troubleshooting

Here are some common issues and their solutions:

- **Wobbling Table:**

Cause: Uneven floor or loose fittings.

Solution: Ensure the table is on a flat surface. Check and tighten all assembly screws. If the floor is uneven, use furniture glides or shims under the legs.

- **Scratches on Surface:**

Cause: Sharp objects or abrasive materials.

Solution: For minor scratches, a wood repair kit or touch-up pen matching the white stain may be used. Prevent future scratches by using coasters and placemats.

- **Fading or Discoloration:**

Cause: Prolonged exposure to direct sunlight.

Solution: Reposition the table away from direct sunlight or use curtains/blinds to filter light.

7. Specifications

Key specifications for the IKEA HEMNES Coffee Table:

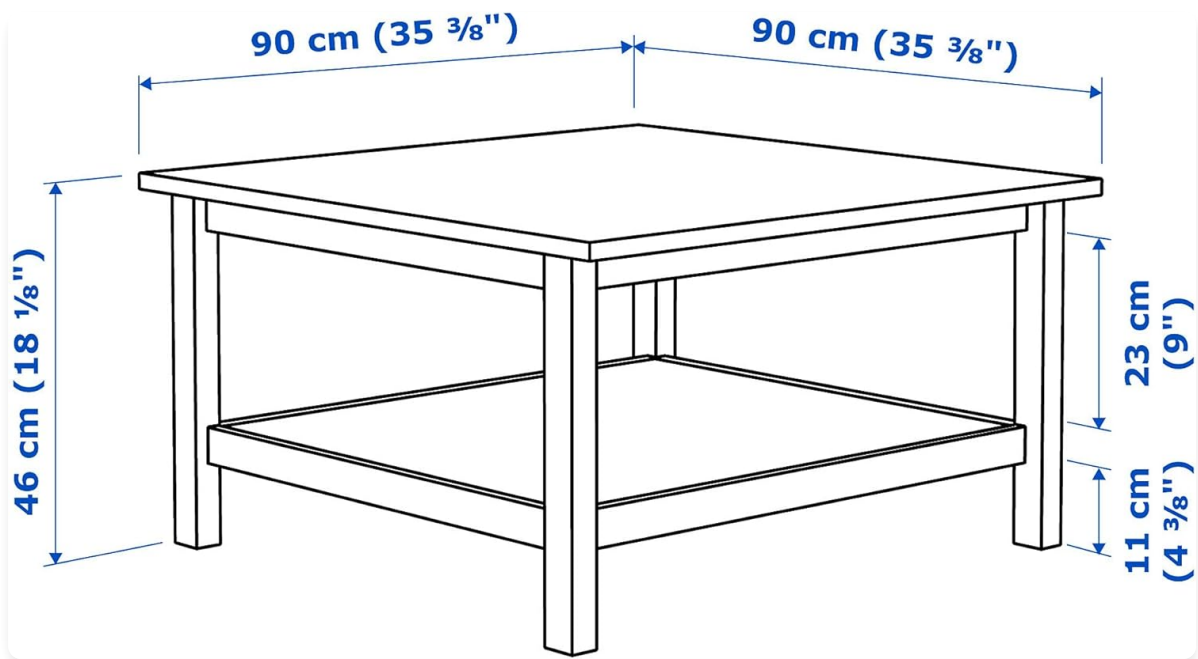


Figure 4: Detailed dimensions of the IKEA HEMNES Coffee Table.

Feature	Detail
Brand	IKEA
Model Name	HEMNES
Model Number	IK.101.762.87
Material	Solid Pine Wood
Color/Finish	White Stain

Feature	Detail
Dimensions (Length x Width)	90 cm x 90 cm (approx. 35 3/8" x 35 3/8")
Height	46 cm (approx. 18 1/8")
Shelf Clearance (from floor)	11 cm (approx. 4 3/8")
Space between tabletop and shelf	23 cm (approx. 9")
Care Instructions	Wipe clean with a damp cloth.
Features	Space-saving, separate shelf for storage.

8. Warranty and Support

For information regarding warranty, spare parts, or further support, please refer to the documentation provided with your purchase or visit the official IKEA website. You may also contact IKEA customer service directly for assistance with your HEMNES coffee table.

Please retain your proof of purchase for any warranty claims.