



Manuals.plus /

› IKEA /

› IKEA BEKANT Corner Desk User Manual - Model IK.892.823.79

## IKEA BEKANT

# IKEA BEKANT Corner Desk User Manual

Model: IK.892.823.79

## INTRODUCTION

---

Welcome to the user manual for your IKEA BEKANT Corner Desk. This document provides essential information for the safe and efficient use, assembly, and maintenance of your desk. Please read it thoroughly before assembly and use.

## SAFETY WARNINGS

---

### **WARNING:**

Use the electric lifting system with caution. Ensure the furniture is correctly assembled and anchored to ensure stability. Observe weight limits and use the furniture only as described in this manual.

## PRODUCT OVERVIEW

---

The IKEA BEKANT Corner Desk is designed to provide a generous workspace with an electric height adjustment feature, allowing you to switch between sitting and standing positions. It includes a cable management net for an organized workspace.



Image 1: Front view of the IKEA BEKANT Corner Desk. The desk features a light oak veneer top and black height-adjustable legs.



Image 2: The IKEA BEKANT Corner Desk set up in an office environment with a chair, laptop, and accessories. This image demonstrates the desk's practical use.

## SETUP AND ASSEMBLY

---

This section provides general guidance for setting up your BEKANT desk. For detailed assembly instructions, please refer to the separate assembly manual provided with your product.

### Key Assembly Considerations:

- Ensure all components are present before beginning assembly.
- Follow the step-by-step instructions in the dedicated assembly guide.
- Securely anchor the desk to ensure stability, especially when using the electric lifting system.
- Install the cable management net under the table to keep cables organized.

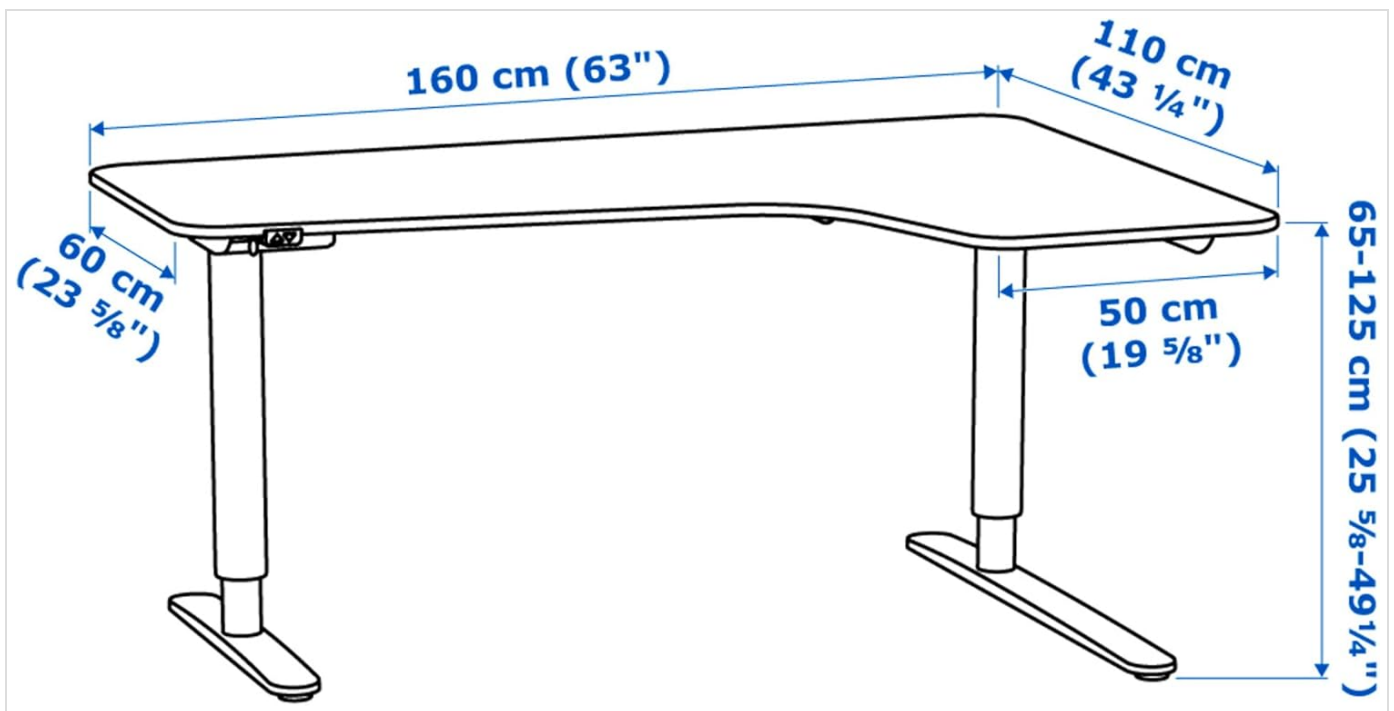


Image 3: Diagram illustrating the dimensions of the IKEA BEKANT Corner Desk. The desk measures 160 cm (63") in length, 110 cm (43 1/4") in depth, with a height adjustable from 65 cm (25 5/8") to 125 cm (49 1/4").

## OPERATING INSTRUCTIONS

---

### Electric Height Adjustment

The BEKANT desk features an electric lifting system that allows you to adjust the table height from 65 cm to 125 cm. This enables you to switch between sitting and standing positions for an ergonomic workflow.



Image 4: A hand pressing the up/down buttons on the control panel located under the desk surface, demonstrating the electric height adjustment mechanism.

### **How to Adjust Height:**

1. Locate the control panel, typically found on the underside of the desk near the front edge.
2. Press and hold the "up" arrow button to raise the desk.
3. Press and hold the "down" arrow button to lower the desk.
4. Release the button when the desired height is reached.

### **Cable Management**

The integrated cable management net helps keep your workspace tidy.



Image 5: View of the cable management net installed underneath the desk, showing cables neatly organized within it.

### **Using the Cable Net:**

1. Route power cords and data cables through the mesh net.
2. Secure cables with ties if necessary to prevent tangling.

## **MAINTENANCE AND CARE**

---

### **Cleaning**

Wipe the desk surface and legs with a damp cloth. Use a mild cleaner if necessary. Avoid abrasive cleaners or harsh chemicals that could damage the finish.



Image 6: A close-up view of the oak veneer desk surface, highlighting its texture and finish. Regular cleaning helps maintain its appearance.

## General Care

- Regularly check all screws and fittings to ensure they are tightened. Re-tighten if necessary.
- Do not place hot items directly on the desk surface without protection.
- Avoid exposing the desk to excessive moisture or direct sunlight for prolonged periods.

## TROUBLESHOOTING

---

This section addresses common issues you might encounter with your BEKANT desk.

### Desk Not Adjusting Height

- **Check Power Connection:** Ensure the desk is properly plugged into a working power outlet.
- **Reset Mechanism:** If the desk stops responding, try unplugging it for a few minutes and then plugging it back in. Refer

to the full assembly manual for specific reset procedures if available.

- **Obstructions:** Check for any objects obstructing the legs or the lifting mechanism.

## Desk Wobbles

- **Level Surface:** Ensure the desk is placed on a flat, level surface.
- **Tighten Fittings:** Re-tighten all assembly screws and bolts.
- **Leg Adjustments:** Check if the adjustable feet (if present) are properly balanced.

## SPECIFICATIONS

Feature	Detail
Brand	IKEA
Model Number	IK.892.823.79
Dimensions (Length x Depth)	160 cm x 110 cm (63" x 43 1/4")
Height Adjustment Range	65 cm - 125 cm (25 5/8" - 49 1/4")
Color	Black Oak Veneer
Top Material	Oak Veneer
Leg Material	Steel Alloy
Desk Design	Standing Desk, Corner
Cable Management	Integrated Net

## WARRANTY AND SUPPORT

For information regarding warranty terms and conditions, please refer to the warranty brochure provided with your product or visit the official IKEA website.

For further assistance, technical support, or spare parts inquiries, please contact IKEA customer service.