

IKEA IK.493.200.62

IKEA EKTORP 3-Seater Sofa with Chaise Longue

MODEL: IK.493.200.62 - USER MANUAL

1. Product Overview

The IKEA EKTORP 3-seater sofa with chaise longue in Remmarn light grey is designed for comfort and versatility. This sofa features a timeless design with thick, comfortable cushions and a durable, easy-to-maintain cover.

Key Features:

- **Reversible Back Cushions:** Polyester fiber-filled back cushions provide soft support and can be flipped for extended use.
- **High-Resilience Seat Cushions:** Foam and polyester wadding-filled seat cushions offer comfortable body support and quickly regain their shape.
- **Flexible Chaise Longue:** The chaise longue can be positioned on either the left or right side of the sofa, allowing for adaptable room layouts.
- **Durable Fabric:** The Remmarn cover is made from durable polyester, featuring a light texture and a pleasant two-tone effect.
- **Easy Care:** The removable cover is machine washable for convenient cleaning.



Image 1.1: The IKEA EKTORP 3-seater sofa with chaise longue in Remmarn light grey. This image shows the fully assembled sofa from an angled perspective, highlighting its classic design and the integrated chaise longue.

2. Setup and Assembly

This section provides general guidance for setting up your IKEA EKTORP sofa. For detailed, step-by-step assembly instructions, please refer to the separate assembly guide included with your product packaging.

1. **Unpack Components:** Carefully remove all parts from the packaging. Verify that all components listed in the assembly guide are present.
2. **Assemble Frame:** Follow the assembly guide to connect the main frame sections of the sofa. Ensure all connections are secure.
3. **Attach Chaise Longue:** The chaise longue can be attached to either the left or right side of the 3-seater sofa. Position it according to your preference and secure it as per the instructions.
4. **Place Cushions:** Insert the seat and back cushions into their respective positions. The back cushions are reversible.
5. **Install Cover:** Carefully fit the Remmarn light grey cover over the sofa frame and cushions. Ensure it is smooth and properly aligned.

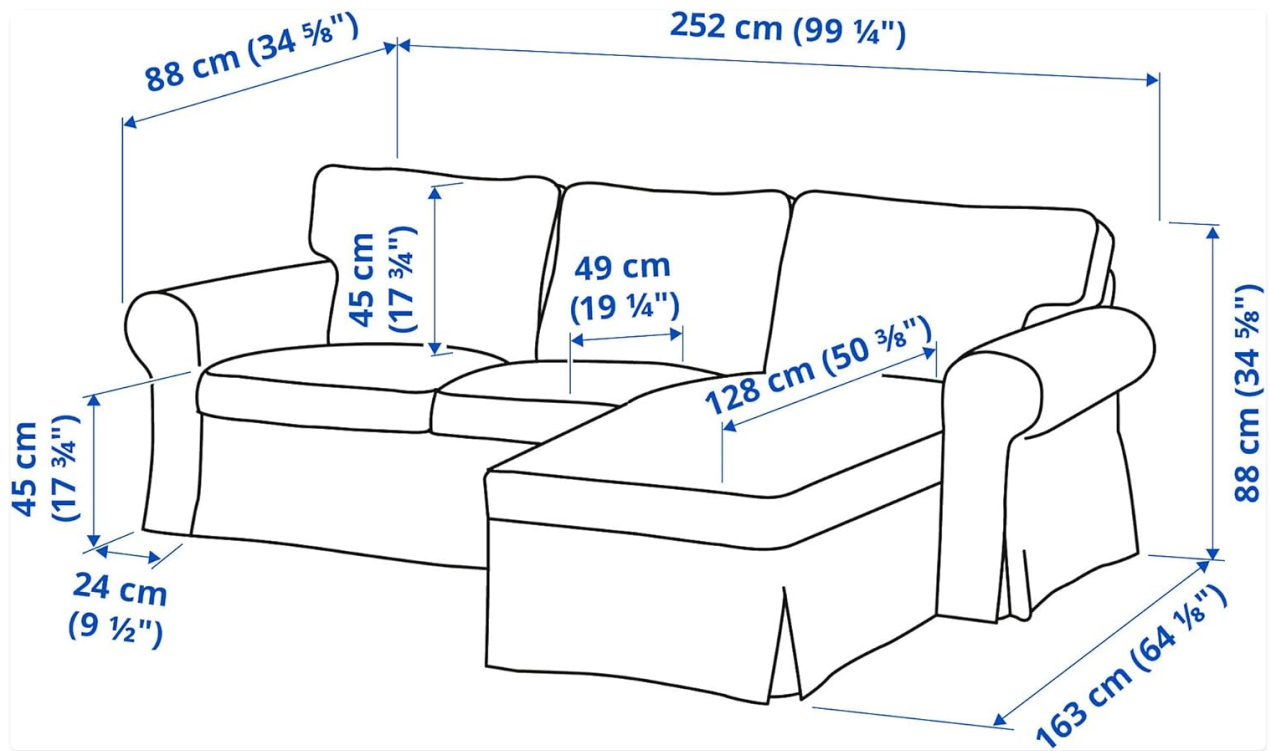


Image 2.1: A diagram illustrating the dimensions of the IKEA EKTORP 3-seater sofa with chaise longue. Key measurements include total width (252 cm / 99 1/4"), total depth (163 cm / 64 1/8"), height (88 cm / 34 5/8"), seat depth (49 cm / 19 1/4"), and seat height (45 cm / 17 3/4").

3. Operating Instructions

The EKTORP sofa is designed for straightforward use and comfort.

- **Using the Chaise Longue:** The chaise longue provides an extended seating area for relaxation. Its position can be changed from left to right at any time to suit your room layout or preference. Refer to the assembly guide for instructions on re-attaching the chaise longue.
- **Adjusting Cushions:** The back cushions are reversible. Flipping them periodically can help maintain their shape and extend their lifespan. The seat cushions are designed to regain their shape easily after use.



Image 3.1: A person comfortably relaxing on the chaise longue section of the IKEA EKTORP sofa, demonstrating its use for lounging.

4. Maintenance and Care

Proper care will help maintain the appearance and longevity of your EKTORP sofa.

- **Cover Removal:** The Remmarn cover is designed to be easily removed for cleaning. Locate the zippers and fasteners to detach the cover from the sofa frame and cushions.
- **Washing Instructions:** The cover is machine washable. Use a gentle cycle with cold water.
- **Drying:** Tumble dry on a low setting.
- **Bleaching and Ironing:** Do not bleach. Do not iron.
- **Regular Maintenance:** Vacuum the sofa regularly to remove dust and debris. Spot clean minor spills immediately with a damp cloth and mild detergent.



Image 4.1: A close-up view of the zipper on the Remmarn light grey sofa cover, indicating its removable design for easy maintenance.

5. Troubleshooting

This section addresses common concerns. For issues not covered here, please contact customer support.

- **Slight Odor Upon Unpacking:** New furniture may have a slight odor from manufacturing. This typically dissipates within a few days in a well-ventilated room.
- **Cushions Appear Flat:** Allow cushions to fully expand after unpacking. Fluffing back cushions regularly and rotating seat cushions can help maintain their shape and loft.
- **Cover Wrinkles:** Minor wrinkles in the cover are normal after unpacking or washing. They often smooth out with use or can be gently smoothed by hand. Do not iron.

6. Specifications

Feature	Detail
---------	--------

Brand	IKEA
Model Number	IK.493.200.62
Color	Remmarn Light Grey
Material	Polyester
Special Features	Removable cover, Reversible back cushions, Adjustable chaise longue
Care Instructions	Machine washable, tumble dry low, do not bleach, do not iron
Water Resistance Level	Not waterproof
Overall Width	252 cm (99 ¼")
Overall Depth	163 cm (64 ½")
Overall Height	88 cm (34 ⅝")
Seat Depth	49 cm (19 ¼")
Seat Height	45 cm (17 ¾")



Image 6.1: A cutaway diagram illustrating the internal construction of the IKEA EKTORP sofa, showing the frame, foam layers, and cushion components.

7. Safety Information

Please observe the following safety guidelines to ensure safe use of your sofa:

- **Fire Safety:** Keep the sofa away from open flames and direct heat sources.
- **Children's Safety:** Do not allow children to play with or put small parts of the sofa into their mouths. Ensure all assembly components are securely fastened and out of reach of small children.
- **Care Instructions:** Always follow the provided care instructions to prevent damage to the sofa or potential injury.
- **Weight Distribution:** Avoid concentrating excessive weight on a single point of the sofa. Distribute weight evenly.

8. Warranty and Support

Warranty: This product comes with a 10-year warranty. Please refer to the separate warranty brochure included with your purchase for full terms and conditions.

Customer Support: For further assistance, missing parts, or warranty claims, please contact IKEA customer service. You can find contact information on the IKEA website or in your purchase documentation.