

[Manuals.plus](#) /

> [Ikea](#) /

> Ikea MALM High Bed Frame 140 x 200 cm, Black-Brown - Instruction Manual

## Ikea IK.890.024.30

# Ikea MALM High Bed Frame 140 x 200 cm, Black-Brown - Instruction Manual

Model: IK.890.024.30

## 1. INTRODUCTION

Thank you for choosing the Ikea MALM High Bed Frame. This manual provides essential information for the safe assembly, proper use, and maintenance of your new bed frame. Please read these instructions carefully before beginning assembly and retain them for future reference.

The MALM bed frame features a wood veneer finish, offering the aesthetic and tactile qualities of solid wood with unique variations in grain, color, and texture. This model is designed for a mattress size of 140 x 200 cm (European Queen).



**Figure 1:** The Ikea MALM High Bed Frame (140 x 200 cm) in a typical bedroom environment. This image illustrates the overall appearance of the assembled bed frame with a mattress and bedding.

## 2. SAFETY INFORMATION

- **Pinch Points:** Exercise caution when adjusting the bed sides or moving components during assembly and use to avoid pinch points.
- **Weight Limit:** Do not exceed the maximum recommended weight limit of **130 kg (approximately 286 lbs)** for this bed frame. Exceeding this limit can compromise the structural integrity and lead to collapse.
- **Assembly:** Always follow the provided assembly instructions meticulously. Incorrect assembly can lead to instability and potential injury.
- **Regular Checks:** Periodically check all screws and fasteners to ensure they remain tight. Loose connections can affect stability.
- **Mattress Compatibility:** Use only a mattress that is compatible with the bed frame dimensions (140 x 200 cm).

## 3. SETUP AND ASSEMBLY

The Ikea MALM High Bed Frame requires assembly. Detailed graphical instructions are included with the

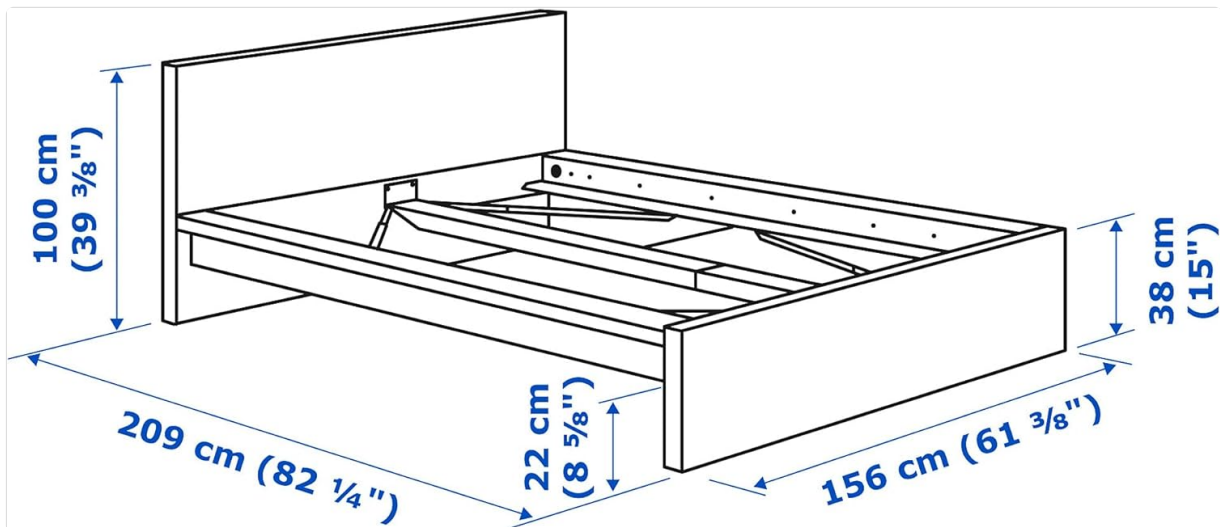
product packaging. It is crucial to follow these instructions step-by-step to ensure the bed frame is stable and safe for use.

### 3.1 Components Included

- Headboard
- Footboard
- Side rails
- Luröy slatted bed base (slats)
- Hardware (screws, dowels, etc.)

### 3.2 Assembly Guidelines

1. **Unpack:** Carefully unpack all components and verify against the parts list in the separate assembly guide.
2. **Tools:** Ensure you have the necessary tools as specified in the assembly guide (e.g., screwdriver, hammer).
3. **Follow Steps:** Assemble the bed frame strictly according to the numbered steps in the provided assembly manual.
4. **Secure Connections:** Ensure all screws and fasteners are tightened securely. Do not overtighten, as this can damage the material.
5. **Slatted Bed Base:** Install the Luröy slatted bed base correctly, ensuring all slats are properly seated and secured.



**Figure 2:** Dimensional diagram of the MALM High Bed Frame. This illustration provides key measurements including length (209 cm), width (156 cm), headboard height (100 cm), and footboard height (38 cm).



**Figure 3:** The Luröy slatted bed base, an essential component for mattress support and ventilation. Ensure correct installation as per the assembly instructions.

## 4. OPERATING AND USAGE

Once assembled, the Ikea MALM High Bed Frame is ready for use. Proper usage ensures longevity and safety.

- **Mattress Placement:** Place a compatible mattress (140 x 200 cm) directly onto the slatted bed base.
- **Weight Distribution:** Distribute weight evenly across the bed frame. Avoid concentrating heavy loads on small areas.
- **Movement:** When moving the bed frame, lift it rather than dragging it to prevent damage to the frame or floor.

## 5. MAINTENANCE

Regular maintenance will help keep your MALM bed frame in excellent condition.

- **Cleaning:** Wipe the bed frame surfaces with a dry cloth. For stubborn marks, a slightly damp cloth followed by a dry cloth can be used. Avoid abrasive cleaners or harsh chemicals.
- **Fastener Checks:** Periodically (e.g., every 3-6 months) check all assembly screws and fasteners. Re-tighten any that have become loose to maintain stability.
- **Environmental Conditions:** Avoid placing the bed frame in direct sunlight or near heat sources, as this can cause the wood veneer to fade or warp over time.

## 6. TROUBLESHOOTING

If you encounter issues with your MALM bed frame, consider the following common solutions:

- **Instability/Wobbling:** This is most often caused by loose fasteners. Re-tighten all screws and bolts, paying close attention to the connections between the headboard, footboard, and side rails. Ensure the slatted bed base is correctly seated.
- **Creaking Noises:** Creaking can result from loose connections or friction between components. Check and re-tighten all fasteners. Applying a small amount of furniture wax or silicone spray to contact points (e.g., where slats rest on side rails) can sometimes reduce noise.
- **Damaged Parts:** If any part is damaged or missing, do not attempt to use the bed frame. Contact Ikea customer service for replacement parts.

## 7. PRODUCT SPECIFICATIONS

### Ikea MALM High Bed Frame (IK.890.024.30)

<b>Model Number</b>	IK.890.024.30
<b>Brand</b>	Ikea
<b>Product Dimensions (L x W x H)</b>	209 cm x 156 cm x 100 cm (approx. 82 1/4" x 61 3/8" x 39 3/8")
<b>Mattress Compatibility</b>	140 x 200 cm (European Queen)
<b>Headboard Height</b>	100 cm (approx. 39 3/8")
<b>Footboard Height</b>	38 cm (approx. 15")
<b>Clearance Under Furniture</b>	21 cm (approx. 8 5/8")
<b>Material</b>	Engineered wood, Wood veneer

<b>Color</b>	Black-Brown
<b>Maximum Recommended Load</b>	130 kg (approx. 286 lbs)
<b>Assembly Required</b>	Yes
<b>Included Components</b>	Headboard, Slatted bed base (Luröy)

## 8. WARRANTY INFORMATION

For specific warranty details regarding your Ikea MALM High Bed Frame, please refer to the warranty documentation provided at the time of purchase or visit the official Ikea website. Warranty terms and conditions may vary by region and product.

## 9. CUSTOMER SUPPORT

If you have any questions, require assistance with assembly, or need to order replacement parts, please contact Ikea customer service. Contact information can typically be found on the Ikea website for your specific country or region, or on your purchase receipt.

You can also visit your local Ikea store for in-person assistance.