

Manuals+

[Q & A](#) | [Deep Search](#) | [Upload](#)

manuals.plus /

› [Ikea](#) /

› [Ikea Brogrund Shower System with Thermostatic Mixer, Chrome User Manual](#)

Ikea IK.203.425.35

Ikea Brogrund Shower System with Thermostatic Mixer

Model: IK.203.425.35

INTRODUCTION

This manual provides comprehensive instructions for the installation, operation, and maintenance of your Ikea Brogrund Shower System with Thermostatic Mixer. Please read this manual carefully before installation and use to ensure safe and efficient operation.



Figure 1: Ikea Brogrund Shower System with Thermostatic Mixer, Chrome. This image shows the complete shower system including the overhead shower, hand shower, and thermostatic mixer with an integrated shelf.

SAFETY INFORMATION

Always adhere to local plumbing and building codes. Professional installation is recommended. Ensure water supply is turned off before beginning installation.

- **Temperature Safety:** The thermostatic mixer features a safety stop button at 38 °C (100.4 °F) to prevent accidental scalding. To reach higher temperatures, press and hold the safety button while turning the temperature control.
- **Cold Touch Function:** The mixer bar incorporates 'Cold Touch' technology, ensuring its surface remains cool to the

touch, even when hot water is flowing, enhancing safety.

- **Water Flow:** An integrated washer helps maintain optimal water flow, contributing to water and energy efficiency.



Figure 2: Close-up view of the thermostatic mixer's temperature control, highlighting the 38°C safety stop button and temperature markings.

COMPONENTS INCLUDED

The Ikea Brogrund Shower System package includes the following components:

- Thermostatic Mixer
- Overhead Shower Head
- Hand Shower
- Parking Bracket for Hand Shower
- Safety Stop Button (integrated)
- Integrated Shelf on Mixer

- Washer (integrated for flow control)
- Wall Mounting Hardware
- Instruction Manual (this document)

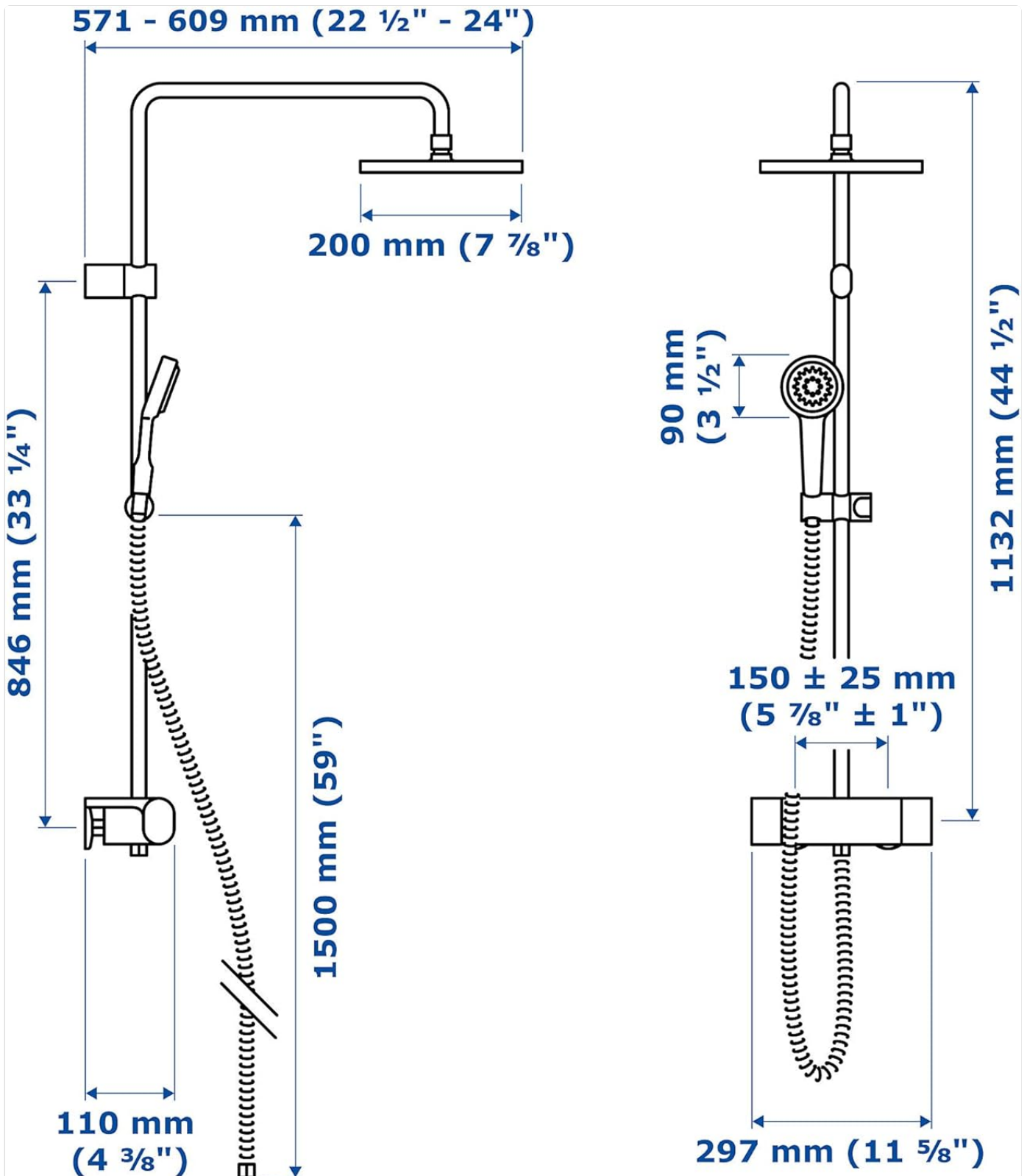


Figure 3: Technical drawing of the Ikea Brogrund shower system with key dimensions in millimeters and inches, illustrating the height, width, and projection of the components.

SETUP AND INSTALLATION

The Ikea Brogrund Shower System is designed for wall mounting. Follow the detailed instructions provided in the separate installation guide included with your product. Ensure all connections are secure and leak-free before use.

1. **Prepare the Area:** Turn off the main water supply. Clear the installation area and ensure the wall surface is clean and suitable for mounting.
2. **Mount the Mixer:** Securely attach the thermostatic mixer to the wall using the provided wall mounting hardware. Ensure it is level and at the desired height.
3. **Install Overhead Shower:** Connect the overhead shower arm and head to the main riser pipe.
4. **Install Hand Shower and Rail:** Attach the hand shower rail to the wall. Connect the hand shower hose to the mixer and place the hand shower in its flexible parking bracket.
5. **Test Connections:** Slowly turn on the water supply and check for any leaks.



Figure 4: The Ikea Brogrund shower system installed in a modern bathroom with white tiled walls and a blue accent wall. The integrated shelf on the mixer is visible, holding shower accessories.

OPERATING INSTRUCTIONS

Your Brogrund shower system offers various functions for a customized showering experience.

Temperature Control

- Turn the right knob on the thermostatic mixer to adjust the water temperature.
- The safety stop at 38 °C (100.4 °F) prevents scalding. To exceed this temperature, press the button on the knob while turning.

Spray Functions

The hand shower and overhead shower offer different spray patterns:

- **Full Spray:** Provides wide and even coverage for a soothing rain sensation.
- **Mesh Spray:** Increases the force of the water spray, ideal for rinsing thick hair.
- You can select either full spray or mesh spray, or combine both for a versatile experience. Use the left knob on the thermostatic mixer to switch between spray types or direct water to the overhead shower.

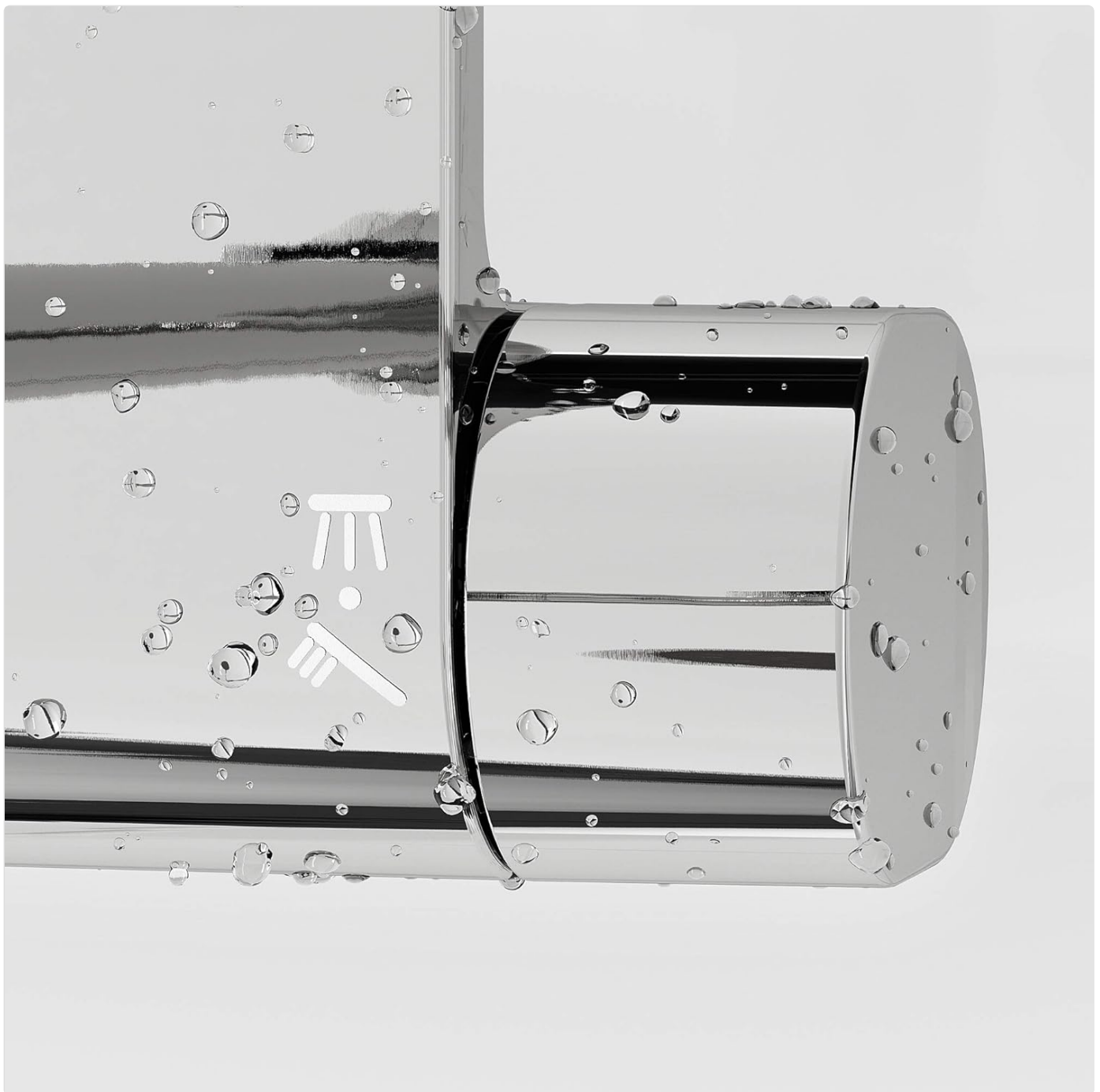


Figure 5: A close-up of the thermostatic mixer's flow control knob, showing symbols for different spray functions (full spray, mesh spray, and

combined).

Hand Shower Height Adjustment

The hand shower's height can be easily adjusted along the rail using the flexible parking bracket to suit individual preferences.



Figure 6: A close-up view of the hand shower, showing its spray face with multiple nozzles and the flexible hose connection.

MAINTENANCE

Regular cleaning will ensure the longevity and optimal performance of your shower system.

- **Cleaning Nozzles:** The rubber nozzles on both the overhead and hand shower heads are easy to clean. Simply rub them to remove any limescale buildup.
- **Surface Cleaning:** Clean the chrome surfaces with a soft cloth and mild soap solution. Avoid abrasive cleaners, scouring pads, or harsh chemicals, as these can damage the finish.
- **Integrated Shelf:** The integrated shelf can be wiped clean with a damp cloth.



Figure 7: A close-up view of the round overhead shower head, showing the nozzles from which water sprays.

TROUBLESHOOTING

If you encounter issues with your shower system, consider the following common solutions:

- **Low Water Pressure:** Check if the main water supply is fully open. Inspect shower heads and nozzles for limescale buildup and clean them as described in the Maintenance section.
- **Inconsistent Temperature:** Ensure the hot and cold water supplies are correctly connected. If the thermostatic mixer is not regulating temperature properly, it may require professional inspection.
- **Leaks:** Check all connections for tightness. If leaks persist, professional assistance may be required.

SPECIFICATIONS

Feature	Detail
---------	--------

Feature	Detail
Brand	Ikea
Model Number	IK.203.425.35
Mounting Type	Wall Mount
Handle Material	Brass and Stainless Steel
Number of Handles	1
Finish Type	Unpolished
Safety Features	38°C Safety Stop, Cold Touch Function
Included Components	Thermostatic mixer, hand shower, parking bracket, safety stop button, integrated shelf, washer, wall mounting hardware, instruction manual

WARRANTY AND SUPPORT

Your Ikea Brogrund Shower System comes with a comprehensive warranty:

- **Mixer Warranty:** 10-year warranty on the thermostatic mixer.
- **Other Parts Warranty:** 3-year warranty on all other components.

Please refer to the separate warranty brochure for full terms and conditions. For technical support or service, please contact Ikea customer service or visit your local Ikea store.