



Manuals.plus /

› IKEA /

› IKEA Kallax Shelf Unit with 10 Inserts, White, 182 x 182 cm User Manual

IKEA IK.092.783.38

IKEA Kallax Shelf Unit with 10 Inserts, White, 182 x 182 cm User Manual

Model: IK.092.783.38

INTRODUCTION

This manual provides essential information for the assembly, use, and maintenance of your IKEA Kallax Shelf Unit (Model: IK.092.783.38). Designed for versatility, this unit can serve as a storage solution or a room divider, offering functional and aesthetic appeal from all angles. Please read these instructions carefully before proceeding with assembly and use.

PACKAGE CONTENTS

Before beginning assembly, ensure all components are present. Refer to the packaging for a detailed list of parts. Typically, the package includes:

- Kallax shelf unit panels (side, top, bottom, and internal shelves)
- Hardware (dowels, screws, cam locks, cam pins, wall fasteners)
- Drawer inserts (if included in your specific purchase)
- Assembly instructions leaflet (usually pictorial)



Image: The fully assembled IKEA Kallax shelf unit, white, featuring 25 compartments, with 10 compartments fitted with white drawer and door inserts. The unit measures 182x182 cm.

SETUP AND ASSEMBLY

Assembly of the Kallax shelf unit requires basic tools such as a screwdriver and a hammer. It is recommended to assemble the unit on a soft, clean surface to prevent scratches. Two people are recommended for assembly due to the size and weight of the unit.

General Assembly Steps:

1. **Unpack and Identify Parts:** Lay out all panels and hardware. Compare with the parts list in the included assembly leaflet.
2. **Assemble the Frame:** Connect the main side panels to the top and bottom panels using dowels, cam pins,

and cam locks. Ensure all connections are secure.

3. **Insert Shelves:** Slide the internal shelf panels into the pre-drilled slots, securing them with the provided hardware.
4. **Attach Back Panel (if applicable):** Some Kallax units may include a back panel for certain sections. Follow the instructions to attach it.
5. **Install Drawer/Door Inserts:** If your unit includes drawer or door inserts, assemble them separately according to their specific instructions and then slide them into the desired compartments.



Image: Components of a white drawer insert for the Kallax unit, showing the drawer box and front panel with a knob. These inserts are assembled separately and then placed into the desired Kallax compartments.



Image: Technical drawing illustrating the dimensions of a Kallax drawer insert. The overall insert measures approximately 33 cm (13 inches) deep, 33 cm (13 inches) wide, and 37.5 cm (14 3/4 inches) high, with individual drawer heights of 16.3 cm (6 3/8 inches).

Wall Fastening:

For safety, it is crucial to secure the Kallax unit to the wall using the provided anti-tip hardware. Different wall materials require different types of fastening devices. Use fasteners suitable for your walls (not included). If you are uncertain about what type of fastening devices to use, please contact a professional.

OPERATING AND USAGE

The IKEA Kallax shelf unit is designed for versatile storage and display. Its open and modular design allows for various configurations and uses.

- **Storage:** Use the compartments to store books, decorative items, boxes, or other personal belongings.
- **Room Divider:** The unit is finished on all sides, making it suitable for use as a room divider to define spaces within a room.

- **Weight Capacity:** Each shelf has a maximum load capacity of 13 kg (28.6 lbs). Do not exceed this limit to ensure stability and prevent damage.
- **Placement:** Suitable for various rooms, including living rooms, bedrooms, and offices.

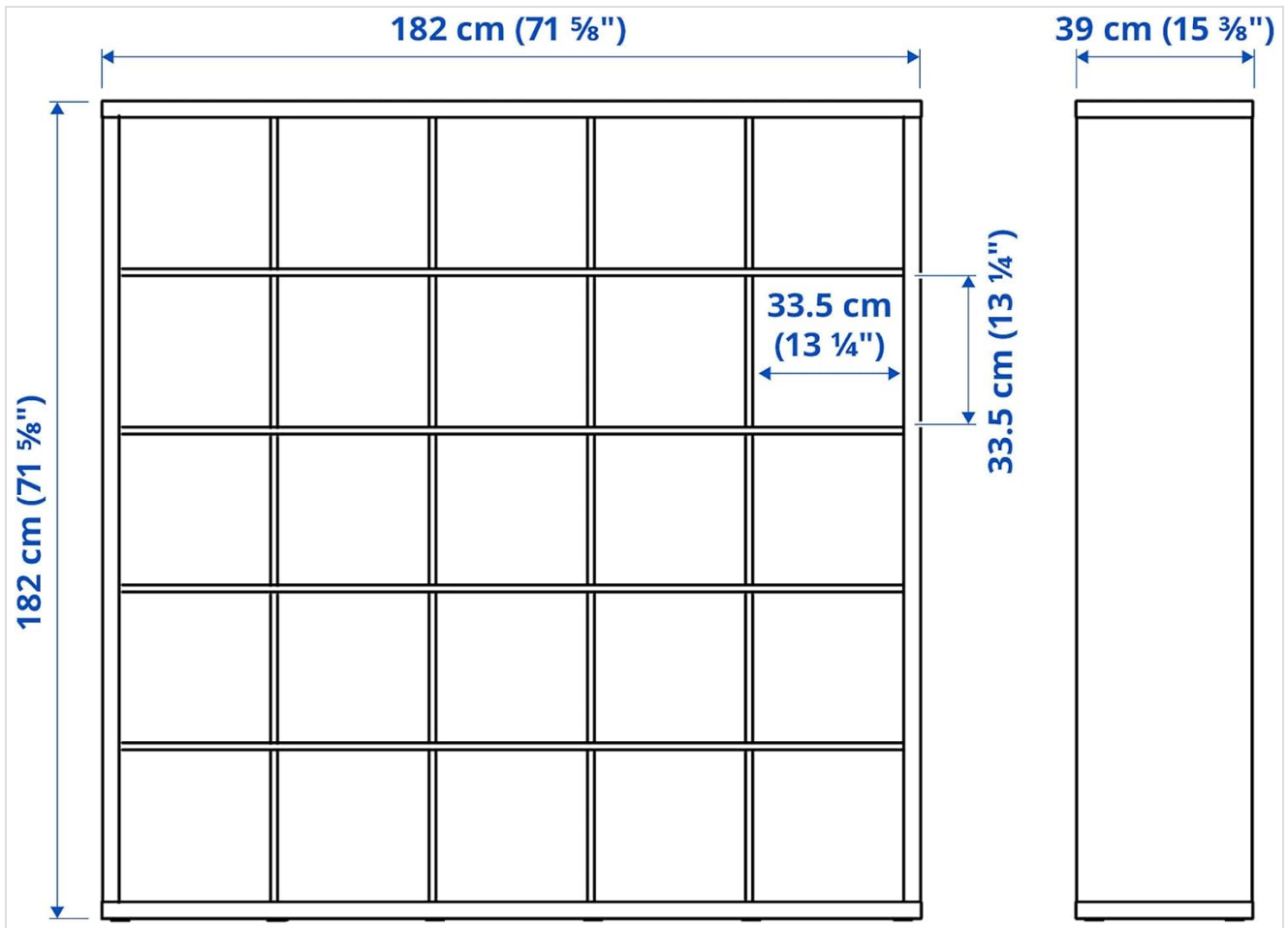


Image: An IKEA Kallax shelf unit positioned in a room, demonstrating its use as a storage solution and a subtle room divider. The compartments hold various items, including books and decorative objects.



Image: A close-up view of an empty compartment within the IKEA Kallax shelf unit, highlighting the smooth white finish and the sturdy construction of the shelf.

MAINTENANCE

Proper care will help maintain the appearance and longevity of your Kallax shelf unit.

- **Cleaning:** Wipe clean with a dry cloth. For stubborn marks, use a damp cloth with a mild cleaner, then wipe dry.
- **Avoid Moisture:** Do not expose the unit to excessive moisture or humidity, as this can cause swelling or damage to the wood finish.
- **Check Fasteners:** Periodically check all assembly fasteners and re-tighten if necessary to ensure stability.

TROUBLESHOOTING

If you encounter any issues with your Kallax shelf unit, consider the following common solutions:

- **Instability:** Ensure all cam locks and screws are fully tightened. Verify the unit is placed on a level surface. Confirm it is securely fastened to the wall using anti-tip hardware.
- **Missing Parts:** If any parts are missing upon unpacking, contact the retailer or IKEA customer service with your proof of purchase and the part number from the assembly instructions.
- **Damaged Parts:** Do not attempt to assemble with damaged parts. Contact the retailer or IKEA customer service for replacements.

SPECIFICATIONS

Brand	IKEA
Model Number	IK.092.783.38
Dimensions (Assembled)	182 cm (Width) x 39 cm (Depth) x 182 cm (Height)
Max Load per Shelf	13 kg (28.6 lbs)
Number of Shelves/Compartments	25 (5x5 configuration), with 10 inserts included
Color	White
Finish Type	Wood finish
Special Feature	Drawer inserts available
Assembly Required	Yes

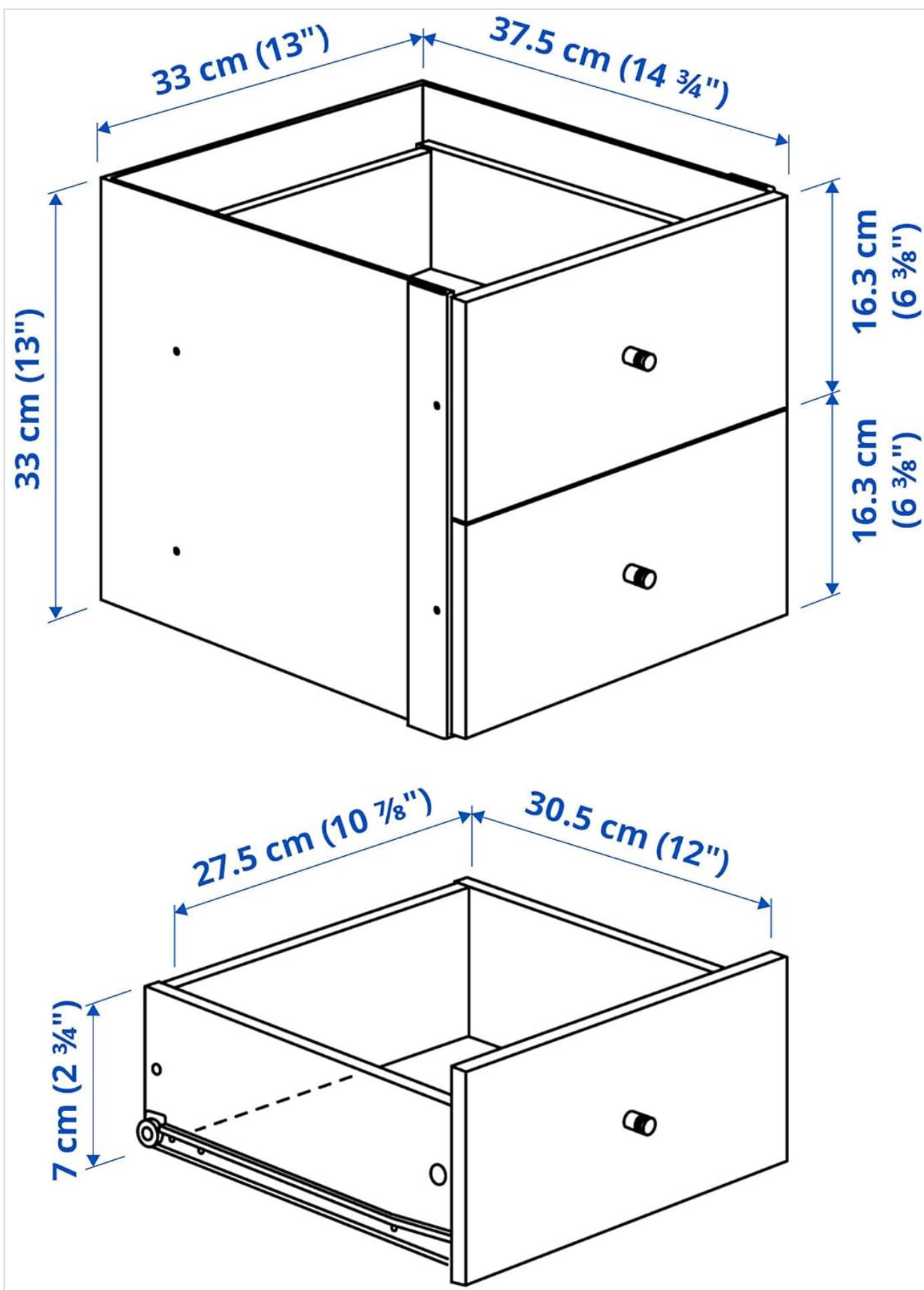


Image: A technical diagram showing the overall dimensions of the IKEA Kallax shelf unit. The unit is 182 cm (71 5/8 inches) wide, 182 cm (71 5/8 inches) high, and 39 cm (15 3/8 inches) deep. Each square compartment measures approximately 33.5 cm (13 1/4 inches) by 33.5 cm (13 1/4 inches).

WARRANTY AND SUPPORT

For information regarding product warranty, please refer to your purchase receipt or contact the retailer from whom you purchased the IKEA Kallax shelf unit. Warranty terms and conditions may vary by region and retailer.

For customer support, missing parts, or further assistance, please contact the retailer or IKEA customer service directly. Have your model number (IK.092.783.38) and proof of purchase ready when contacting support.