

Manuals+

[Q & A](#) | [Deep Search](#) | [Upload](#)

manuals.plus /

- › [IKEA](#) /
- › [IKEA LANEBERG Extendable Table User Manual](#)

IKEA IK.604.477.76

IKEA LANEBERG Extendable Table User Manual

MODEL: IK.604.477.76

Product Overview

The IKEA LANEBERG Extendable Table is a versatile dining solution designed to adapt to your needs. Its robust construction and thoughtful design make it suitable for various dining environments, from kitchens to dedicated dining rooms. The table features a rustic brown finish that highlights the natural beauty of the wood grain.

Key features include:

- **Extendable Design:** Easily change the table size to accommodate 4 to 6 people.
- **Integrated Extension Leaf:** The additional leaf is stored conveniently under the tabletop.
- **Durable Surface:** Resistant to liquids, food stains, oil, heat, scratches, and impacts.
- **Stable Construction:** Solid wood base ensures high stability.



Image: The IKEA LANEBERG table in its standard, unextended configuration, showcasing its dark brown finish and sturdy legs.

Setup and Assembly

The IKEA LANEBERG table requires assembly. Follow the detailed instructions provided in the separate assembly guide that accompanies your product. Ensure all components are present before beginning assembly.

General Assembly Tips:

- Assemble on a soft, clean surface to prevent scratches.
- Tighten all screws firmly, but do not overtighten.
- Periodically check and re-tighten screws as needed to maintain stability.
- Ensure the table is placed on a level surface to prevent wobbling.

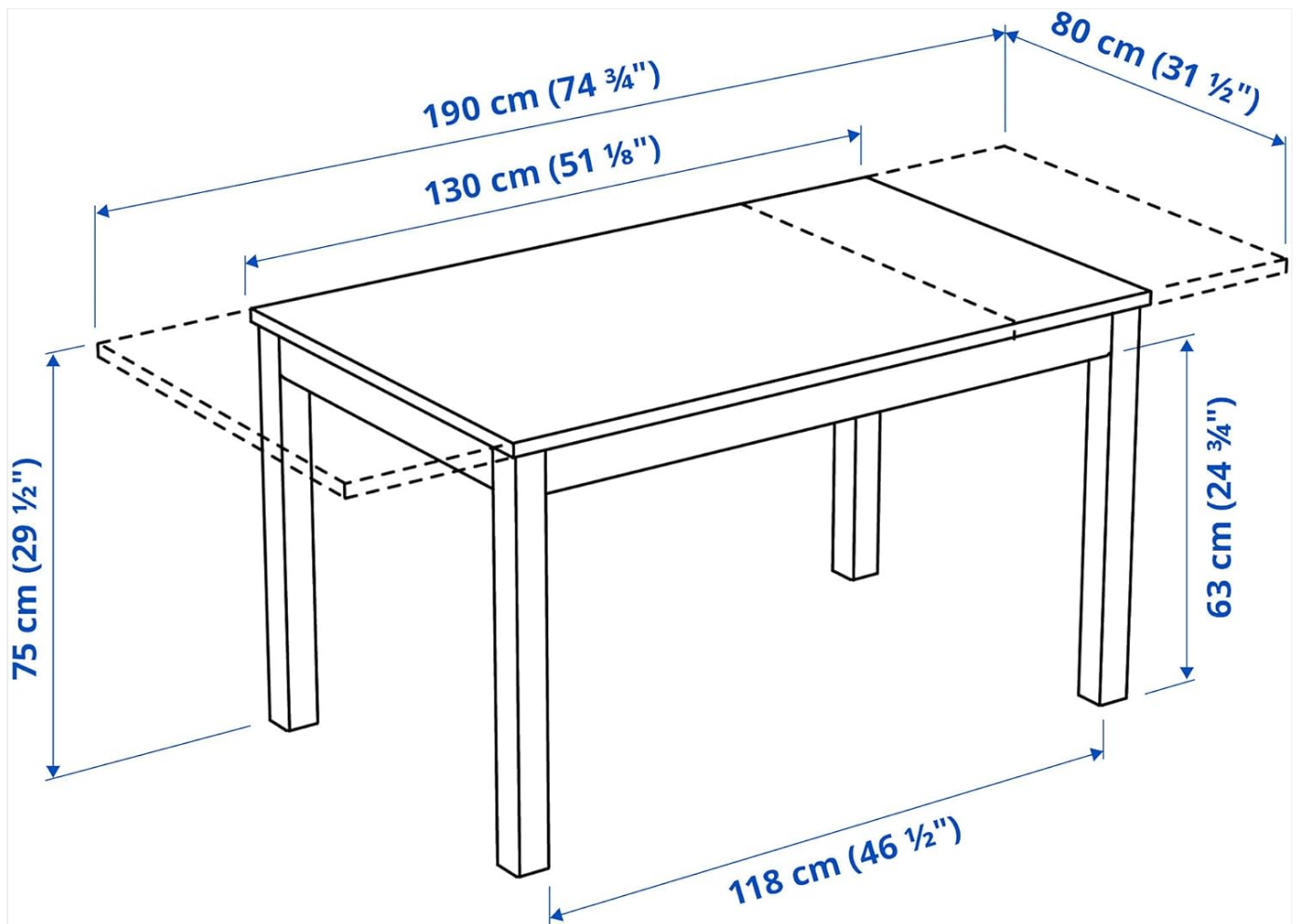


Image: A technical diagram illustrating the dimensions of the IKEA LANEBERG table in both its compact (130 cm) and extended (190 cm) states, along with height and width measurements.

Dimensions:

- Length (compact): 130 cm (51 1/8")
- Length (extended): 190 cm (74 3/4")
- Width: 80 cm (31 1/2")
- Height: 75 cm (29 1/2")

Operating the Extension Mechanism

The LANEBERG table is designed for quick and smooth extension, allowing one person to easily adjust its size.

To Extend the Table:

1. Gently pull one end of the tabletop outwards. The tabletop will slide apart, revealing the storage space for the extension leaf.
2. Lift the extension leaf from its storage position underneath the main tabletop.
3. Place the extension leaf into the gap created by sliding the tabletop halves apart. Ensure it is securely seated.
4. Push the tabletop halves back together until they meet the extension leaf and form a continuous surface.

To Retract the Table:

1. Gently pull one end of the tabletop outwards to create a gap.
2. Lift the extension leaf out of the gap.
3. Store the extension leaf back in its designated space underneath the main tabletop.
4. Push the tabletop halves back together until they meet and form the compact table surface.



Image: A detailed view of the extension mechanism of the IKEA LANEBERG table, showing how the leaf is integrated and the smooth sliding action.



Image: The IKEA LANEBERG table fully extended, comfortably seating six people in a dining room setting, demonstrating its increased capacity.

Maintenance and Care

Proper care will ensure the longevity and appearance of your IKEA LANEBERG table. The table surface is designed to be highly durable, but regular cleaning is recommended.

- **Cleaning:** Wipe the table clean with a damp cloth. For stubborn marks, use a mild soap solution. Always wipe dry with a clean cloth immediately after cleaning to prevent moisture damage.
- **Protection:** Although the surface is resistant to liquids, food stains, oil, heat, scratches, and impacts, it is advisable to use placemats or coasters to protect the surface from hot dishes, sharp objects, and spills.
- **Avoid Harsh Chemicals:** Do not use abrasive cleaners, strong detergents, or chemical solvents, as these can damage the finish.
- **Sunlight Exposure:** Avoid prolonged exposure to direct sunlight, which can cause fading or discoloration over time.



Image: The IKEA LANEBERG table set with various food items and beverages, demonstrating its practical use in a dining context and highlighting its durable surface.

Troubleshooting

If you encounter any issues with your IKEA LANEBERG table, refer to the following common troubleshooting tips:

- **Table Wobbles:**

Ensure the table is placed on a flat, level surface. Check all assembly screws and re-tighten them if necessary. Uneven floors may require shims under the legs.

- **Extension Mechanism Sticks:**

Check for any obstructions in the sliding mechanism or around the extension leaf. Ensure the leaf is correctly aligned before attempting to close the table. Clean any dust or debris from the tracks.

- **Surface Damage:**

For minor scratches, touch-up pens or furniture markers matching the wood tone may be used. For significant

damage, contact IKEA customer service for advice.

Specifications

Feature	Detail
Brand	IKEA
Model Number	IK.604.477.76
Color	Brown
Material	Wood (Frame Material: Wood, Top Material Type: Wood)
Features	Extendable
Recommended Max Weight	40 Kilograms
Recommended Product Use	Dining
Shape	Rectangular
Table Design	Dining Table
Style	Rustic
Care Instructions	Wipe with a dry or damp cloth

Warranty and Support

Information regarding specific warranty terms for the IKEA LANEBERG table is typically provided with your purchase documentation or available on the official IKEA website. Please retain your proof of purchase for warranty claims. For customer support, spare parts availability, or further assistance, please visit the official IKEA website or contact IKEA customer service directly. Contact details can usually be found on the IKEA website or in your purchase receipt.

Note: Spare parts availability information for this product is not directly provided in the product specifications.