

## Manuals+

[Q & A](#) | [Deep Search](#) | [Upload](#)

manuals.plus /

- > [IKEA](#) /
- > [IKEA MALM Desk Instruction Manual](#)

## IKEA MALM Desk

# IKEA MALM Desk Instruction Manual

Model: MALM Desk (140x65 cm, Black-Brown)

## 1. INTRODUCTION

This manual provides essential information for the assembly, operation, maintenance, and troubleshooting of your IKEA MALM Desk. Please read these instructions carefully before beginning assembly or use to ensure proper function and safety.



**Figure 1:** The IKEA MALM Desk in Black-Brown. This image shows the overall design of the desk, featuring a smooth tabletop, a storage unit with drawers, and a finished back panel.

## 2. SAFETY INFORMATION

**Stability Warning:** The desk may tip over if too much weight is placed on the open shelf. Always distribute weight evenly and avoid placing heavy items on the edge of open shelves or drawers.

- Ensure all fasteners are securely tightened during assembly and periodically check them for tightness.
- Do not stand or sit on the desk.
- Keep small parts and assembly hardware away from children to prevent choking hazards.

## **3. SETUP AND ASSEMBLY**

---

The IKEA MALM Desk requires assembly. It is recommended that two people perform the assembly for ease and safety. All necessary assembly tools are included with the product.

### **3.1 Unpacking and Part Identification**

- Carefully unpack all components from the packaging.
- Verify that all parts listed in the assembly instructions are present. Refer to the included pictorial guide for a complete list of parts and hardware.

### **3.2 Assembly Steps**

1. Follow the step-by-step pictorial instructions provided in the separate assembly guide.
2. Begin by assembling the main frame and legs.
3. Attach the tabletop, ensuring it is correctly aligned.
4. Assemble and install the drawer unit. The storage unit can be mounted on either the right or left side of the desk, depending on your preference and space requirements.
5. Secure all connections firmly but do not overtighten screws, which can damage the material.



Figure 2: The MALM Desk integrated into a home office environment, showcasing its functional design alongside a chair, laptop, and shelving units.

## 4. OPERATING INSTRUCTIONS

### 4.1 Drawer and Storage Unit Usage

The MALM Desk features a storage unit with drawers for organizing your workspace. The drawers operate on smooth glides for easy access.



**Figure 3:** A close-up view of an open drawer, illustrating its capacity for storing office supplies such as notebooks, pens, and a stapler.



**Figure 4:** The lower cabinet section of the storage unit, shown with its door open, revealing internal shelving suitable for books or storage boxes.

## 4.2 Cable Management

The desk is designed with a dedicated shelf under the tabletop to collect and hide cables and extension cords, keeping your workspace tidy and organized while ensuring cables remain within reach.



**Figure 5:** A detailed view of the integrated cable management shelf located beneath the desk's tabletop, designed to conceal and organize power cords and cables.

### 4.3 Placement Options

The MALM Desk features a finished back, allowing it to be placed freestanding in the middle of a room or against a wall, with cables neatly hidden inside the cable management shelf.

## 5. MAINTENANCE AND CARE

---

- **Cleaning:** Wipe the desk clean with a damp cloth and a mild cleaner. Dry thoroughly with a clean cloth.
- **Avoid Harsh Chemicals:** Do not use abrasive cleaners, strong solvents, or chemical polishes, as these can damage the finish.
- **Fasteners:** Periodically check and retighten all assembly fasteners to ensure the desk remains stable.
- **Protection:** Use coasters or protective pads under hot items or items that could scratch the surface.

## 6. TROUBLESHOOTING

---

### 6.1 Desk Instability or Wobbling

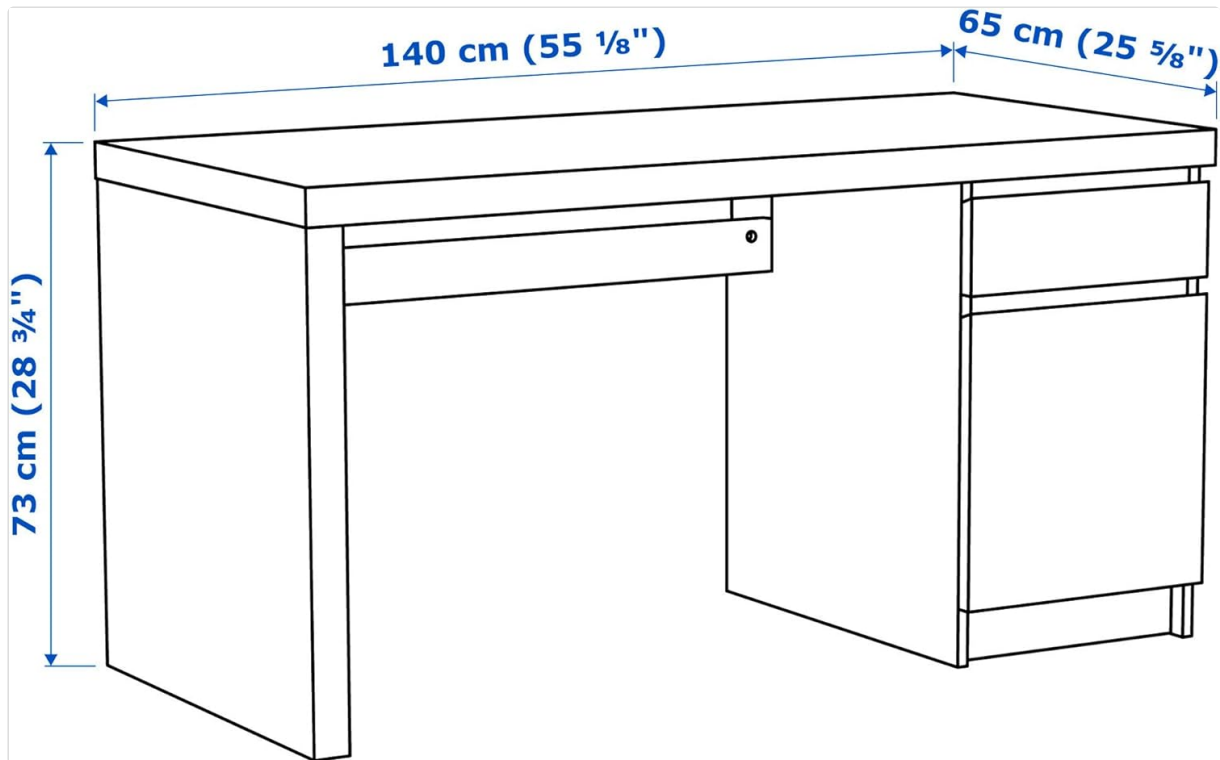
- **Check Assembly:** Ensure all screws and fasteners are securely tightened. Refer to the assembly guide to confirm all parts are correctly installed.
- **Level Surface:** Place the desk on a flat, level surface. If the floor is uneven, use furniture glides or shims to stabilize.
- **Weight Distribution:** As per the safety warning, avoid concentrating heavy items on one side or on open shelves. Distribute weight evenly across the desk surface and within storage compartments.

## 6.2 Drawers Not Opening/Closing Smoothly

- **Check Glides:** Ensure the drawer glides are clean and free from obstructions.
- **Alignment:** Verify that the drawer and its glides are correctly aligned within the cabinet.
- **Overloading:** Avoid overloading drawers, as excessive weight can hinder smooth operation.

## 7. SPECIFICATIONS

Below are the key specifications for the IKEA MALM Desk.



**Figure 6:** Dimensional drawing of the IKEA MALM Desk, indicating its length (140 cm / 55 1/8"), width (65 cm / 25 5/8"), and height (73 cm / 28 3/4").

Feature	Detail
Model Name	IKEA MALM Desk
Dimensions (L x W x H)	140 cm x 65 cm x 73 cm (55 1/8" x 25 5/8" x 28 3/4")
Color	Black-Brown
Material	Wood (Base Material), Laminated (Furniture Finish)
Number of Drawers	3
Number of Shelves	1 (enclosed)
Cable Management	Integrated shelf under tabletop
Assembly Required	Yes (2 people recommended, tools included)
Finished Back	Yes

## 8. WARRANTY INFORMATION

---

The IKEA MALM Desk comes with a **Limited Warranty**. For specific details regarding the terms, conditions, and duration of your warranty, please refer to the documentation included with your purchase or visit the official IKEA website.

## 9. CUSTOMER SUPPORT

---

For further assistance, spare parts, or detailed assembly instructions, please visit the official IKEA website or contact IKEA customer service directly. You can find contact information and support resources on [www.ikea.com](http://www.ikea.com).