

Manuals+

[Q & A](#) | [Deep Search](#) | [Upload](#)

manuals.plus /

> [ALDRICH](#) /

> [ALDRICH 14 Inch Metal King Size Bed Frame \(Model T40-1405\) Instruction Manual](#)

ALDRICH T40-1405

ALDRICH 14 Inch Metal King Size Bed Frame Instruction Manual

Model: T40-1405

1. INTRODUCTION

This manual provides detailed instructions for the assembly, usage, and maintenance of your ALDRICH 14 Inch Metal King Size Bed Frame. Please read all instructions carefully before beginning assembly and retain this manual for future reference.



Image 1.1: The ALDRICH 14 Inch Metal King Size Bed Frame, fully assembled.

2. SAFETY INFORMATION

- Always follow assembly instructions carefully to prevent instability.

- Be cautious of sharp edges during assembly and use.
- Ensure all bolts and screws are securely tightened before use. Periodically check and re-tighten as necessary.
- Do not exceed the maximum weight capacity of 3000 lbs.

3. PACKAGE CONTENTS

Verify that all components are present before beginning assembly:

- Bed Frame Components
- Assembly Instructions
- Screws
- Wrench (provided)

4. SPECIFICATIONS

Feature	Detail
Product Dimensions	79.6"L x 75.6"W x 14"H
Compatible Mattress Size	80"L x 76"W (King)
Maximum Weight Capacity	3000 lbs
Material	Metal (Steel)
Color	Black
Finish Type	Powder Coated
Special Feature	Squeak Resistant, No Box Spring Needed
Underbed Clearance	Approximately 12 inches
Assembly Required	Yes

KING

For Mattress Size: L 80 x W 76

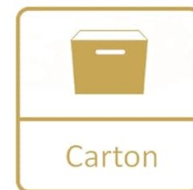
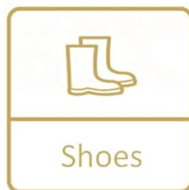
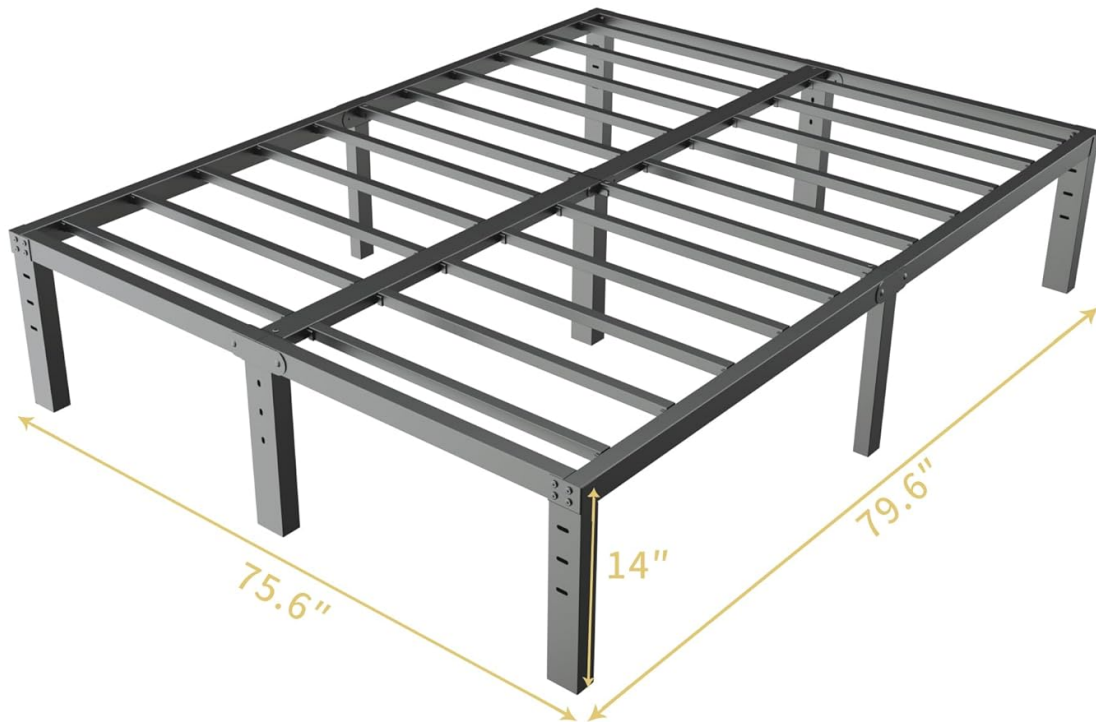


Image 4.1: Dimensional diagram of the King size bed frame.

5. ASSEMBLY INSTRUCTIONS

The ALDRICH bed frame is designed for easy assembly, typically completed by one person within 20 minutes. All necessary tools (a wrench) are included.

- Unpack Components:** Carefully remove all parts from the packaging and lay them out on a clean, soft surface to prevent scratches. Verify all parts are present against the package contents list.
- Assemble Frame Sections:** Follow the step-by-step diagrams provided in the included instruction sheet to connect the main frame sections using the supplied screws and wrench. Ensure all connections are aligned correctly.
- Secure Slats:** Attach the steel slats to the frame. The design ensures easy fixation and prevents sliding.
- Install Plastic Protectors:** Place the plastic protectors on the bottom of each leg to prevent floor scratching and reduce noise.
- Tighten All Connections:** Once the frame is fully assembled, go back and ensure all screws are securely tightened. Do not overtighten.

NO.1

STURADY CENTRAL SUPPORT
EXCELLENT STRUCURAL FRAME



NO.2

SCREWS REINFORCEMENT
MAKE THE BED FRAME STRON-
GER

NO.3

EASY ASSEMBLY FIXE
SLATS,NOT EASY TO SLIDE

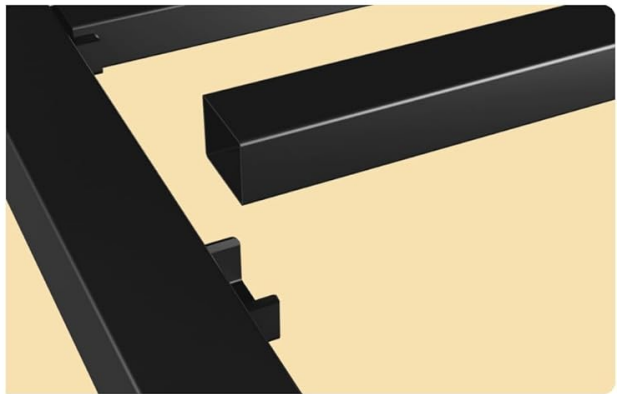


Image 5.1: Details of the frame's sturdy central support, screw reinforcement, and easy-assembly slats.

Plastic Protectors
Noise Free & Non Slip
Prevent Your Floor From Scratching



Headboard Compatible
For diy headboard/Footboard

Image 5.2: Illustration of plastic leg protectors and pre-drilled holes for headboard attachment.

6. USAGE GUIDELINES

- **No Box Spring Needed:** This platform bed frame is designed to support your mattress directly, eliminating the need for a box spring.
- **Noise Elimination:** The frame incorporates rubber cushions and non-scratch gaskets on the legs to minimize noise and protect your flooring, ensuring a quiet sleep environment.
- **Underbed Storage:** With approximately 12 inches of clearance from the floor, the frame provides ample space for storing boxes, luggage, and other items.
- **Headboard Compatibility:** The legs feature reserved holes, allowing for the attachment of a headboard (not included) if desired.



Image 6.1: Example of underbed storage space with containers.



Image 6.2: Visual representation of the 12.2-inch underbed clearance.

7. MAINTENANCE

To maintain the appearance and longevity of your bed frame:

- Wipe the metal surfaces with a damp cloth as needed.
- Avoid using harsh chemicals or abrasive cleaners, as these may damage the powder-coated finish.
- Periodically check all bolts and screws to ensure they remain tight. Re-tighten if any looseness is detected.

8. TROUBLESHOOTING

- **Squeaking Noises:** If the frame develops squeaking noises, check all connection points. Ensure all screws are fully tightened. The integrated rubber cushions are designed to prevent noise, but loose connections can still cause sound.
- **Instability/Wobbling:** If the frame feels unstable, verify that all legs are evenly placed on the floor and that all assembly steps have been completed correctly with all fasteners secured. Ensure the floor surface is level.
- **Missing Parts:** If any parts are missing upon arrival, please contact ALDRICH customer support for

assistance.

9. WARRANTY AND SUPPORT

ALDRICH is committed to providing quality products. For any questions, concerns, or support needs regarding your ALDRICH bed frame, please refer to your purchase documentation for contact information or visit the official ALDRICH website.