

Manuals.plus /

› vidaXL /

› vidaXL Grow Box Rusty 240x80x77cm Instruction Manual

vidaXL 151961

vidaXL Grow Box Rusty 240x80x77cm Instruction Manual

Model: 151961

1. INTRODUCTION

This instruction manual provides essential information for the assembly, operation, and maintenance of your vidaXL Grow Box Rusty 240x80x77cm. Designed for gardening enthusiasts, this raised grow box offers a durable and spacious solution for cultivating plants, vegetables, herbs, and flowers in your garden, on your terrace, or balcony. Please read this manual thoroughly before assembly and use to ensure proper installation and longevity of your product.



Figure 1.1: The vidaXL Grow Box Rusty, showcasing its robust design and characteristic rusty appearance.

2. SAFETY INFORMATION

Please observe the following safety guidelines to prevent injury or damage to the product:

- Always wear appropriate personal protective equipment, such as gloves, during assembly to protect hands from potential sharp edges or the initial metal surface.

- Ensure the assembly area is clear and stable.
- The product is made of Corten steel, which develops a rusty protective layer over time. During this initial rusting process, contact with the surface may stain clothing or surrounding surfaces. It is advisable to handle the product with care during this period.
- Do not attempt to modify the product in any way not described in this manual.
- Keep children and pets away from the assembly area.

3. PRODUCT OVERVIEW

The vidaXL Grow Box is constructed from high-quality Corten steel, designed for durability and aesthetic appeal. Key features include:

- **Durable Material:** Made from Corten steel, which is inherently anti-corrosive. It forms a stable, rust-like appearance when exposed to weather, eliminating the need for painting and reducing maintenance costs. This distinctive brown color enhances its visual appeal.
- **Ample Space:** The raised design provides significant depth and width, accommodating a large volume of soil and offering generous space for various plants.
- **Sturdy Frame:** The steel frame, complemented by internal support brackets, ensures robust construction and stability, even when filled with soil.
- **Open Bottom Design:** Facilitates excellent drainage, preventing water accumulation that can lead to root rot. This design also allows plants to absorb nutrients more effectively from the ground below, making it suitable for placement on soil, grass, or concrete.
- **Secure Edge Folding:** Edges are designed with a pleated fold to eliminate sharp points, enhancing safety during handling and use.



Figure 3.1: The grow box integrated into a garden environment, demonstrating its capacity for various plantings.

4. SETUP AND ASSEMBLY

The grow box is designed for straightforward assembly. Follow these general steps:

1. **Unpack Components:** Carefully unpack all parts and verify against the included parts list (refer to the separate assembly instructions provided with the product). Ensure all panels, bolts, and internal support brackets are present.
2. **Prepare the Area:** Choose a level and stable location for your grow box. The open bottom design allows for placement directly on soil, grass, or a concrete surface.
3. **Assemble Panels:** Begin by connecting the side and end panels using the provided bolts and nuts. Ensure all connections are secure but do not fully tighten until the entire structure is assembled.
4. **Install Internal Supports:** Insert the internal support brackets as indicated in the assembly diagram. These brackets provide additional rigidity to the structure.
5. **Final Tightening:** Once all panels and supports are in place and the grow box is correctly aligned, fully tighten all bolts and nuts.



Figure 4.1: An illustrative view of the grow box panels during assembly, showing the connection points.



Figure 4.2: Close-up of an internal support bracket, highlighting its role in structural integrity.

5. OPERATING INSTRUCTIONS

Once assembled, your vidaXL Grow Box is ready for use:

- **Filling with Soil:** Fill the grow box with a suitable amount of high-quality potting soil or a custom soil mix appropriate for the plants you intend to grow. The deep and wide design allows for a substantial volume of soil.
- **Planting:** Plant your desired vegetables, herbs, flowers, or other plants according to their specific requirements for spacing and depth.
- **Watering:** Water your plants as needed. The open bottom design ensures good drainage, but regular monitoring of soil moisture is still recommended.

6. MAINTENANCE

The Corten steel construction requires minimal maintenance, but understanding its unique properties is important:

- **Rusting Process:** The product is delivered with a normal metal color and will develop its characteristic rusty appearance over time when exposed to atmospheric conditions. This rust layer acts as a protective barrier against further corrosion.
- **Accelerating Rust:** If desired, you can speed up the rusting process by spraying the surface with a mixture of soapy water and salt water.

- **Stain Prevention:** During the initial rusting phase, the rust can potentially stain adjacent surfaces or clothing. Avoid direct contact with the rust layer, especially when wet, to prevent staining.
- **Cleaning:** Periodically clean the exterior with water to remove dirt or debris. Avoid abrasive cleaners that could damage the protective rust layer.

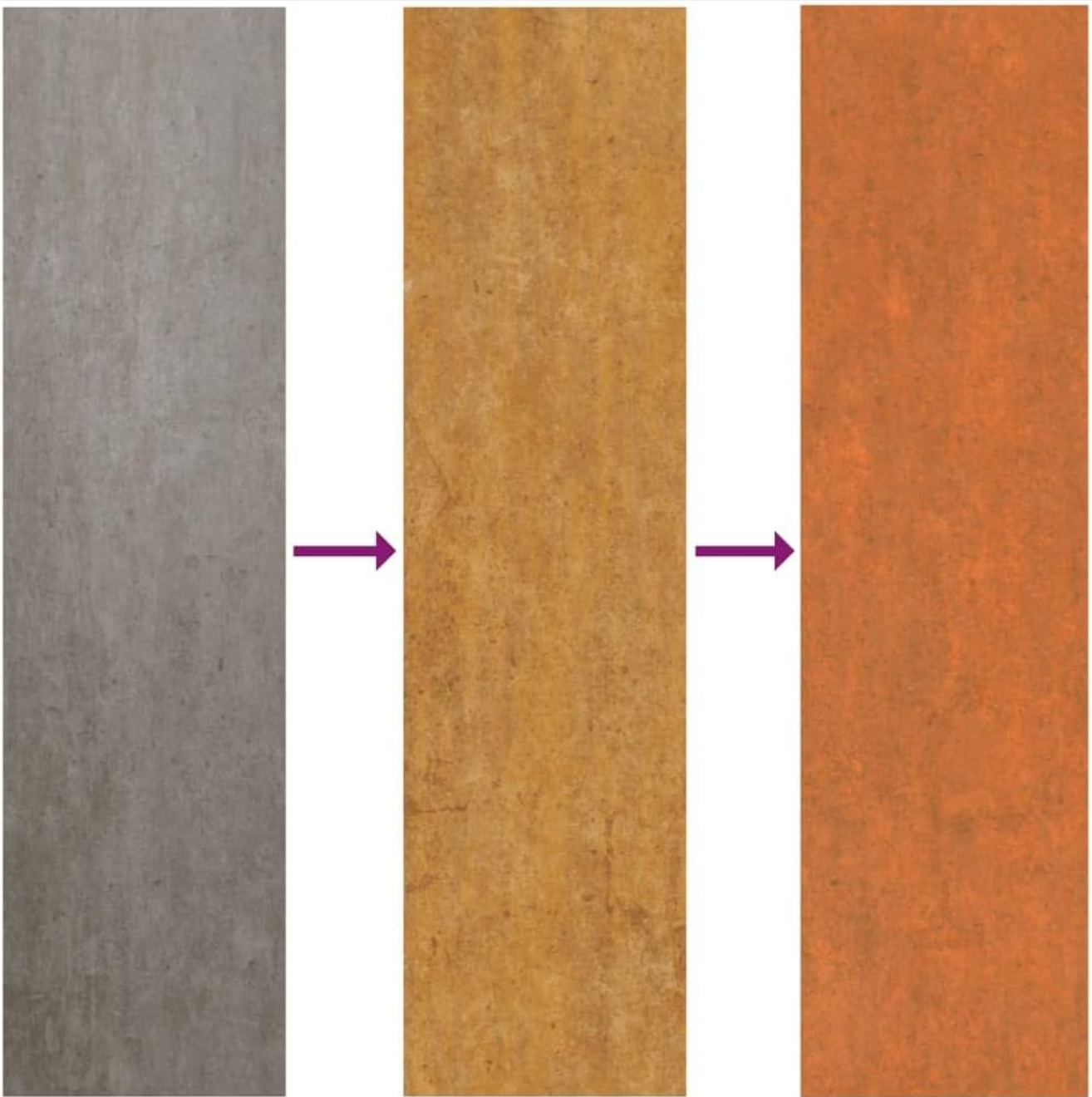


Figure 6.1: Visual representation of the Corten steel's natural weathering process, from initial metal to full rusty patina.

7. TROUBLESHOOTING

This section addresses common concerns:

- **No Rust Formation:** If the grow box is not developing its rusty patina, ensure it is exposed to outdoor atmospheric conditions (rain, humidity, air). The process is natural and takes time. Applying a salt water solution can accelerate it.
- **Waterlogging:** The open bottom design typically prevents waterlogging. If you observe poor drainage, check if the underlying ground is compacted or if the drainage holes are obstructed by debris.
- **Instability:** Ensure all bolts are fully tightened. If the grow box feels unstable, re-check all connections and confirm it is placed on a level surface.

8. SPECIFICATIONS

Attribute	Detail
Model Number	151961
Material	Rust Eyed Steel (Corten Steel)
Dimensions (L x W x H)	240 x 80 x 77 cm (94.5 x 31.5 x 30.3 inches)
Item Weight	23.94 kg (52.78 lbs)
Color	Rusty (develops over time)
Mounting Type	Floor Standing
Indoor/Outdoor Usage	Outdoor

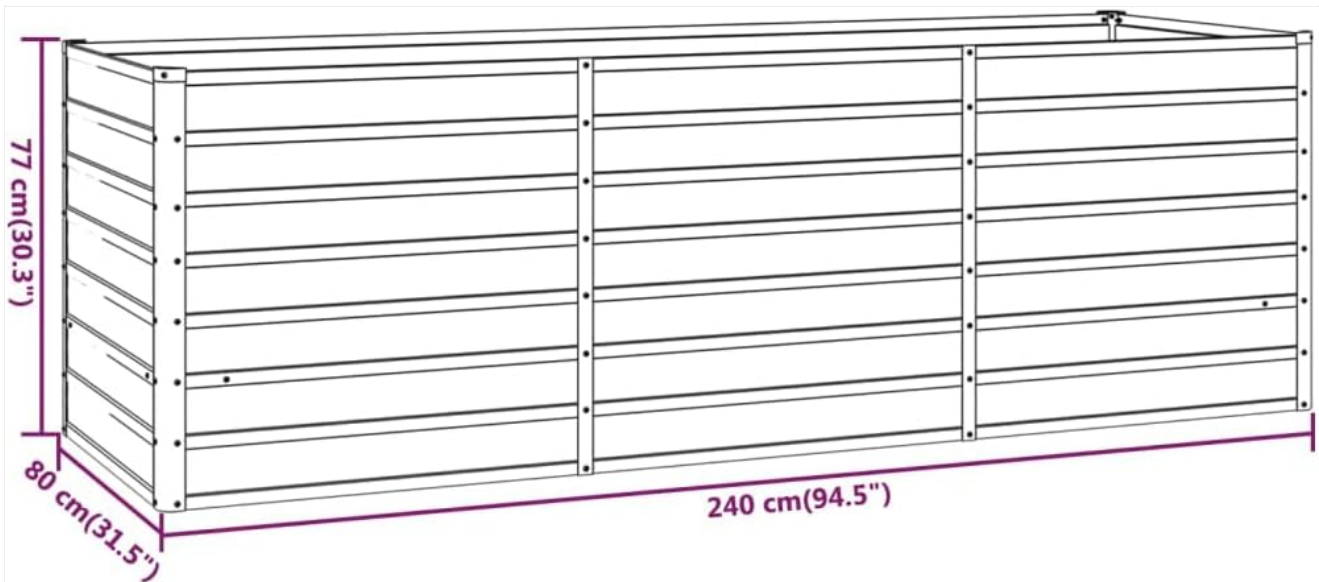


Figure 8.1: Detailed dimensions of the grow box.

9. WARRANTY AND SUPPORT

For information regarding product warranty, please refer to the warranty documentation included with your purchase or contact vidaXL directly. For any questions, technical assistance, or support not covered in this manual, please reach out to the manufacturer or the seller from whom you purchased the product.

Manufacturer: vidaXL

Visit the official vidaXL store for more information: [vidaXL Store](#)