

Ikea IK.504.887.34

Ikea VIHALS Coffee Table User Manual

Model: IK.504.887.34

1. INTRODUCTION

Thank you for choosing the Ikea VIHALS Coffee Table. This manual provides essential information for the assembly, operation, maintenance, and troubleshooting of your new coffee table. The VIHALS series is designed for cohesive storage solutions, offering both open and concealed storage options, and features mobility for flexible placement within your home.

Key features of your VIHALS Coffee Table include:

- Integrated storage compartments, suitable for various storage boxes from the Ikea range.
- Open surfaces for displaying magazines, books, or decorative items.
- Equipped with wheels for easy movement and repositioning.
- Designed for straightforward assembly using intelligent wedge dowel construction.
- Constructed from materials sourced from 100% renewable sources.



Figure 1: Front view of the Ikea VIHALS Coffee Table in white, showcasing its open and closed storage sections and wheels.

2. SETUP AND ASSEMBLY

The Ikea VIHALS Coffee Table is designed for easy assembly. Please follow the instructions provided in the separate assembly guide included with your product. The frame utilizes a smart construction with wedge dowels that press comfortably into pre-drilled holes, simplifying the process.

Before you begin:

- Ensure you have all components and tools listed in the assembly guide.
- Assemble the table on a soft, clean surface to prevent scratches.
- It is recommended to have two people for assembly to ensure stability and ease of handling larger components.



Figure 2: Close-up of hands demonstrating the wedge dowel assembly method, where components are pressed together.

Once assembled, ensure all connections are secure and the table is stable before use.

3. OPERATING INSTRUCTIONS

The VIHALS Coffee Table is designed for versatile use in your living space.

3.1. Mobility

The table is equipped with wheels, allowing for easy movement. To reposition the table, gently push or pull it to your desired location. Ensure the path is clear of obstacles to prevent damage to the table or flooring.



Figure 3: The VIHALS Coffee Table positioned in a living room, demonstrating its functional placement next to a sofa.

3.2. Storage and Display

Utilize the open compartments for easy access to items like remote controls, books, or decorative pieces. The larger, partially enclosed section is ideal for integrating storage boxes or baskets (sold separately) to keep smaller items organized and out of sight, maintaining a tidy appearance.



Figure 4: A close-up view of the coffee table's storage compartment, showing how a woven basket can be used to conceal items.



Figure 5: The coffee table in use, displaying books, a cup, and other items on its surface and within its storage areas.

4. MAINTENANCE AND CARE

Proper care will ensure the longevity and appearance of your VIHALS Coffee Table.

4.1. Cleaning

- Wipe clean with a damp cloth.
- Use only mild cleaning agents if necessary.
- Dry thoroughly with a clean, dry cloth.
- Avoid abrasive cleaners or harsh chemicals, as these can damage the surface finish.

4.2. General Care

- Periodically check and tighten any screws or fittings to ensure stability.
- Avoid placing hot items directly on the surface; use coasters or protective mats.
- Protect from direct sunlight and excessive moisture to prevent warping or discoloration.
- If the wheels become stiff, clean them and ensure no debris is obstructing their movement.

5. TROUBLESHOOTING

This section addresses common issues you might encounter with your coffee table.

5.1. Table is Unstable/Wobbly

- **Check all connections:** Ensure all screws and dowels are fully tightened according to the assembly instructions.
- **Even surface:** Verify that the table is placed on a flat, even surface. Uneven flooring can cause instability.
- **Re-assembly:** If instability persists, carefully disassemble and re-assemble the unit, paying close attention to each step.

5.2. Wheels Not Rolling Smoothly

- **Clear debris:** Check the wheels for any accumulated dust, hair, or debris that might be obstructing their movement. Clean them thoroughly.
- **Lubrication:** If necessary, apply a small amount of silicone-based lubricant to the wheel axles (avoid oil-based lubricants which can attract more dirt).
- **Damage:** Inspect wheels for any visible damage. If a wheel is broken, contact customer support for replacement parts.

5.3. Surface Scratches or Marks

- For minor scratches, touch-up paint or furniture markers matching the table's finish may be used.
- For deeper damage, consider contacting Ikea customer service for advice or professional repair options.

6. SPECIFICATIONS

Brand:	Ikea
Model Number:	IK.504.887.34
Overall Dimensions (L x W x H):	91 cm (35 7/8") x 37 cm (14 5/8") x 43 cm (16 7/8")
Internal Left Shelf Dimensions (L x D x H):	56 cm x 35 cm x 15.5 cm (per shelf)
Internal Right Compartment Dimensions (L x D x H):	31 cm x 35 cm x 33 cm
Wheel Height:	7 cm (2 3/4")
Special Features:	Storage, Wheels
Material Source:	100% renewable sources

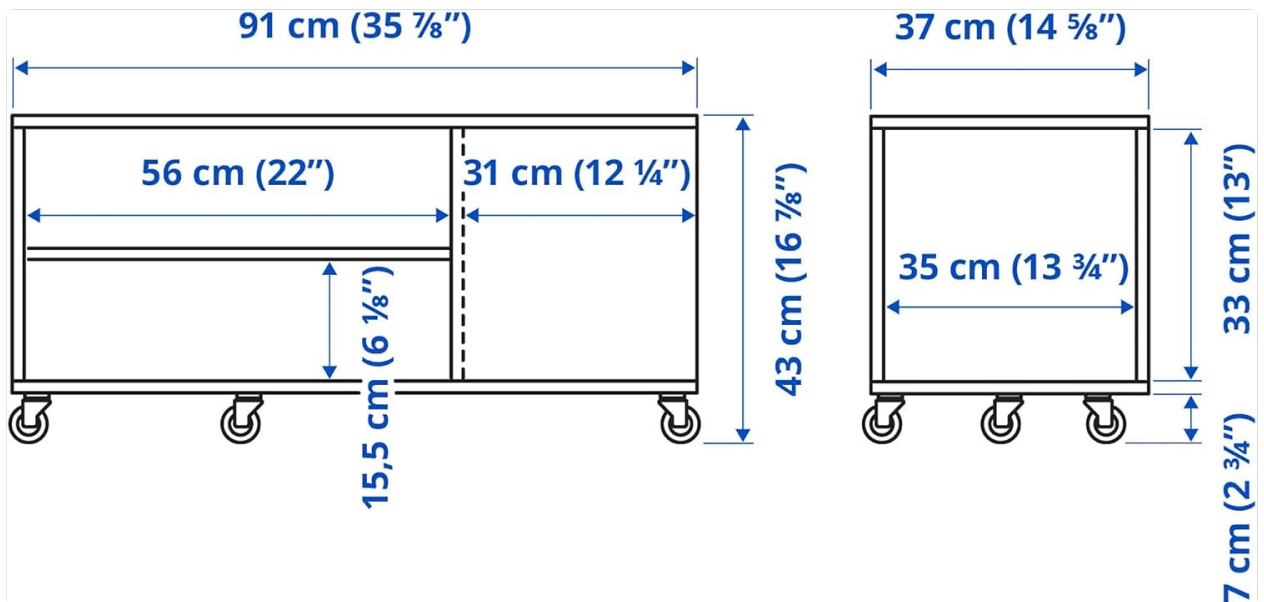


Figure 6: Detailed dimension diagram of the VIHALS Coffee Table, showing overall and internal measurements.

7. WARRANTY AND SUPPORT

For specific warranty information regarding your Ikea VIHALS Coffee Table, please refer to the warranty documentation provided with your purchase or visit the official Ikea website. Ikea products typically come with a limited warranty covering defects in materials and workmanship.

Customer Support:

If you have any questions, require assistance with assembly, or need to report a missing or damaged part, please contact Ikea customer service directly. Contact information can usually be found on the Ikea website or on your purchase receipt.

- Visit the official Ikea website for your region.
- Locate the "Customer Service" or "Contact Us" section.
- Have your model number (IK.504.887.34) and purchase details ready.