

[Manuals.plus](#) /

› [Samsung](#) /

› Samsung HW-Q990C Soundbar System User Manual

Samsung E1SAMHWQ990CRB

SAMSUNG HW-Q990C 11.1.4ch Soundbar User Manual

Model: HW-Q990C (E1SAMHWQ990CRB)

INTRODUCTION

The Samsung HW-Q990C 11.1.4ch Soundbar system delivers an immersive audio experience, designed to complement your home entertainment setup. Featuring true Dolby Atmos sound, this system includes a soundbar, a powerful subwoofer, and rear speakers to create a multi-dimensional soundstage. It integrates seamlessly with Samsung TVs through Q-Symphony and offers advanced sound optimization features like SpaceFit Sound Pro and Adaptive Sound. Built-in voice assistants and AirPlay 2 connectivity enhance convenience and versatility.



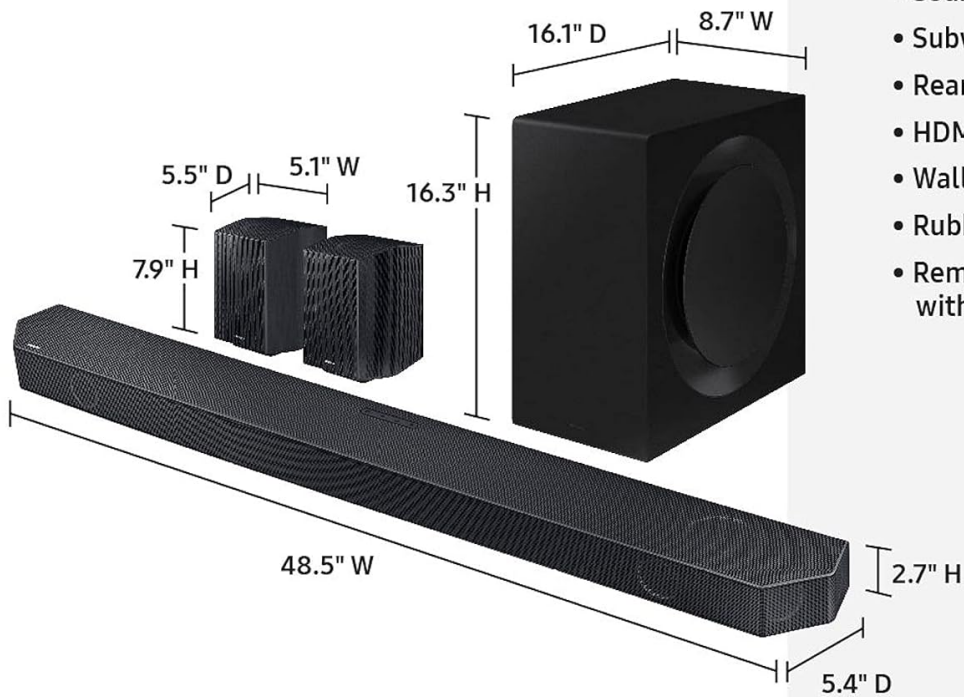
Figure 1: Overview of the Samsung HW-Q990C 11.1.4ch Soundbar system, including the main soundbar unit, wireless subwoofer, two wireless rear speakers, and the remote control.

WHAT'S IN THE BOX

Carefully unpack the contents and ensure all items are present:

- Soundbar Unit
- Wireless Subwoofer
- Rear Speaker Kit (2 wireless rear speakers)
- Remote Controller
- Batteries for Remote Controller
- HDMI Cable
- Wallmount Kit
- Rubber Foot

Model: HW-Q990C



Dimensions:

(INCHES W x H x D):

- Soundbar: 48.5 x 2.7 x 5.4
- Subwoofer: 8.7 x 16.3 x 16.1
- Rear Speakers: 5.1 x 7.9 x 5.5

What's in the box:

- Soundbar
- Subwoofer
- Rear Speaker Kit
- HDMI Cable
- Wall Mount Kit
- Rubber Foot
- Remote Controller with batteries



Features and specifications subject to change.

Figure 2: Detailed diagram illustrating the dimensions of the soundbar, subwoofer, and rear speakers, alongside a comprehensive list of all components included in the packaging.

1. Placement

For optimal sound performance, place the soundbar centrally below your TV. Position the wireless subwoofer in a corner or near a wall for enhanced bass. The rear speakers should be placed behind your primary listening area, ensuring they are within range of the soundbar for wireless connectivity.

SAMSUNG **HW-Q990C**

Unheard of performance

All the sounds. All the feels. Experience our greatest of all time level audio synchronized to your TV's sound and customized to your living space—no wires attached.




Figure 3: Example of soundbar and subwoofer placement in a living room environment, demonstrating a typical setup for optimal audio distribution.

2. Connections

Connect the soundbar to your TV using the provided HDMI cable via the HDMI eARC/ARC port on both devices for the best audio quality and control. Ensure all components (soundbar, subwoofer, rear speakers) are connected to a power source.

Mind blown

Ready to have your mind blown? Be captivated by dense layers of all-around sound with up/side firing rear speaker.



Figure 4: The soundbar is shown positioned directly in front of a television, illustrating a common and recommended setup for home audio systems.

3. Initial Power On & Pairing

Once all components are powered on, the soundbar, subwoofer, and rear speakers should automatically pair. If pairing issues occur, refer to the troubleshooting section or the full user manual for manual pairing instructions.

OPERATING INSTRUCTIONS

Q-Symphony Integration

For an enhanced audio experience, enable Q-Symphony if you have a compatible Samsung TV. This feature allows your TV speakers and soundbar to operate simultaneously, creating a richer and more expansive soundstage.



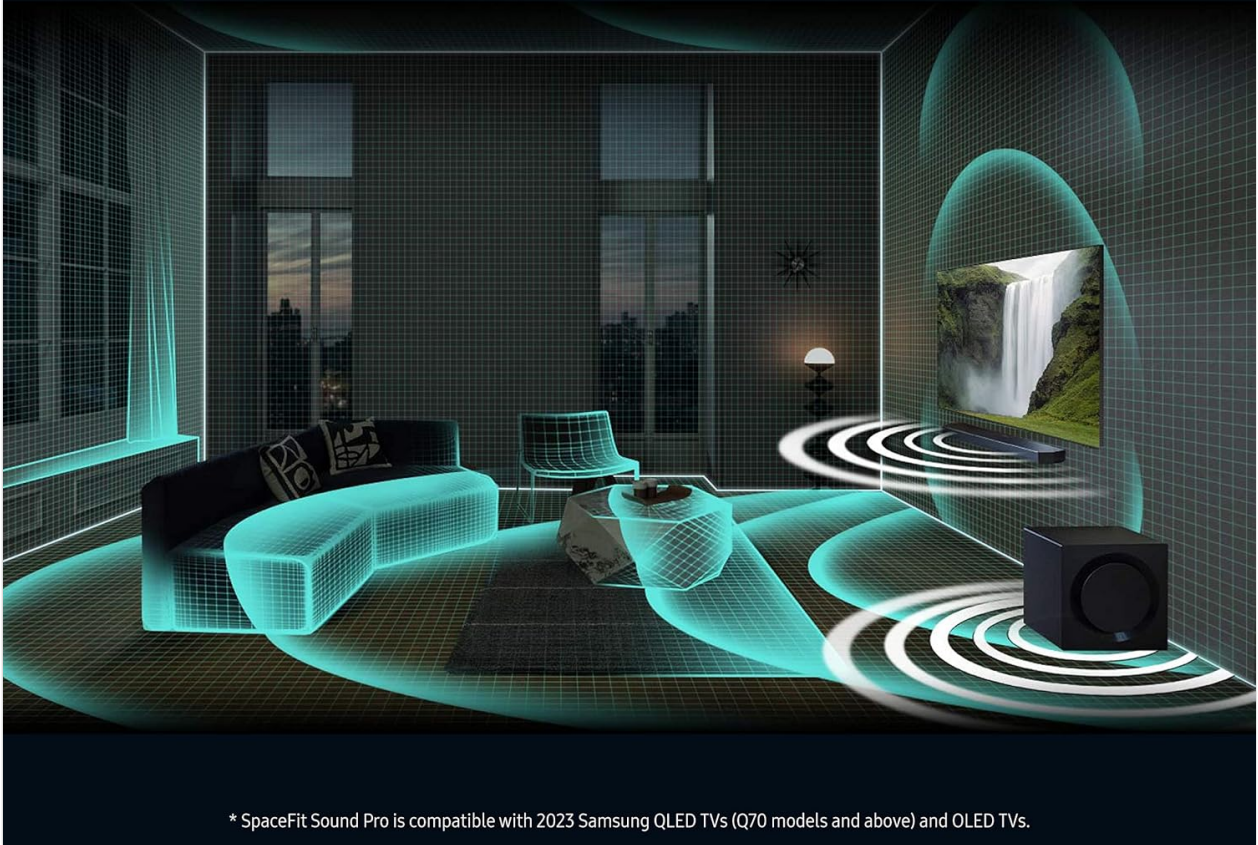
Figure 5: Visual representation of Q-Symphony, where sound from the TV and soundbar combine for a more immersive audio output.

Dolby Atmos and Surround Sound

The 11.1.4 channel configuration with true Dolby Atmos provides sound from all angles, including overhead. The up/side firing rear speakers contribute to a dense, all-around sound experience, making movies and games incredibly immersive.

Dwell in the drama

Sound amplifies everything. This soundbar reacts accordingly. Get room-filling sound calibrated to your space, with a soundbar that analyzes the environment and automatically optimizes the audio—delivering a true, deep, clear experience.*



* SpaceFit Sound Pro is compatible with 2023 Samsung QLED TVs (Q70 models and above) and OLED TVs.

Figure 6: This graphic demonstrates how up/side firing rear speakers create a multi-layered, immersive sound field by reflecting audio off surrounding surfaces.

SpaceFit Sound Pro

This feature automatically optimizes the audio output based on your room's acoustics. The soundbar analyzes your environment and adjusts the sound to deliver a clear and deep experience tailored to your space.



Figure 7: A visual representation of SpaceFit Sound Pro, showing how the soundbar adapts its audio output to the unique characteristics of your listening environment.

Game Mode Pro

For gamers, Game Mode Pro enhances the gaming experience with optimized 3D sound. Powerful up-firing speakers, acoustic beam, and strong woofers provide a more intuitive and immersive gaming audio.

Words matter

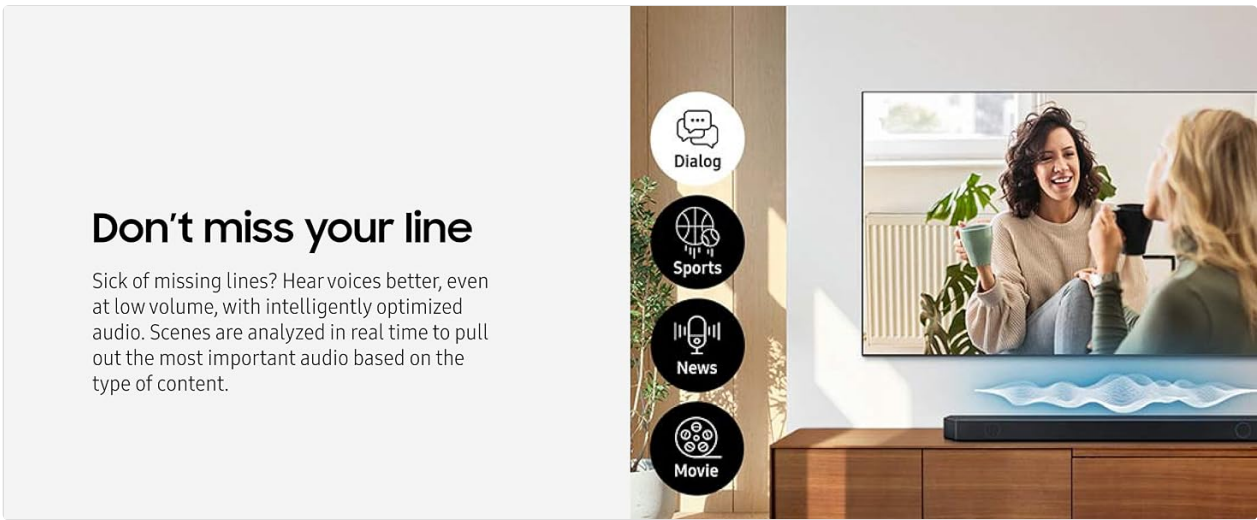
Ensure dialogue and commentary are not drowned out—so you never miss an important moment. Active Voice Amplifier breaks down room noise so that onscreen voices are always optimized.



Figure 8: A gamer immersed in their experience, highlighting the benefits of Game Mode Pro for enhanced audio during gameplay.

Adaptive Sound and AVA

Adaptive Sound intelligently optimizes audio based on content, ensuring clear voices even at low volumes. Active Voice Analyzer (AVA) breaks down room noise to ensure on-screen dialogue is always clear and never drowned out.



Don't miss your line

Sick of missing lines? Hear voices better, even at low volume, with intelligently optimized audio. Scenes are analyzed in real time to pull out the most important audio based on the type of content.

Figure 9: Two individuals enjoying clear dialogue from their television, demonstrating the effectiveness of the Active Voice Amplifier (AVA) in enhancing vocal clarity.

Voice Assistant and AirPlay 2

Activate hands-free control of your soundbar and TV using built-in voice assistants. For Apple users, AirPlay 2 allows seamless streaming of music, podcasts, and more from compatible iOS devices.



Figure 10: The soundbar is shown with indicators for Alexa Built-in and Apple AirPlay, highlighting its smart home integration and wireless streaming capabilities.

Official Product Videos

Watch these official videos for more insights into the Samsung HW-Q990C Soundbar:

Your browser does not support the video tag.

Video 1: "The complete Wow theater experience" - This video showcases the immersive theater experience provided by the soundbar system.

Your browser does not support the video tag.

Video 2: "SAMSUNG Q-Series Soundbar" - An overview of the Samsung Q-Series Soundbar, highlighting its key features and benefits.

MAINTENANCE

To ensure the longevity and optimal performance of your Samsung HW-Q990C Soundbar system, follow these maintenance guidelines:

- **Cleaning:** Gently wipe the surfaces of the soundbar, subwoofer, and rear speakers with a soft, dry cloth. Avoid using liquid cleaners or abrasive materials, as they can damage the finish.
- **Ventilation:** Ensure that the ventilation openings on all units are not blocked. Proper airflow prevents overheating and maintains performance.
- **Dust Accumulation:** Regularly dust the speaker grilles and vents to prevent dust buildup, which can affect sound quality and internal components.
- **Cable Management:** Keep cables organized and untangled to prevent damage and ensure stable connections.

TROUBLESHOOTING

If you encounter issues with your soundbar system, try the following common troubleshooting steps:

Problem	Possible Solution
No Sound	<ul style="list-style-type: none">◦ Check all power connections.◦ Verify HDMI cable is securely connected to eARC/ARC ports.◦ Ensure correct input source is selected on the soundbar.◦ Check TV audio output settings (should be set to external speakers).
Subwoofer/Rear Speakers Not Connecting	<ul style="list-style-type: none">◦ Ensure subwoofer and rear speakers are powered on.◦ Check for any obstructions between the soundbar and wireless components.◦ Perform manual pairing: Refer to the full user manual for specific pairing instructions (usually involves pressing a 'Pairing' button on the back of the subwoofer/rear speakers and the soundbar).
Sound Distortion/Poor Quality	<ul style="list-style-type: none">◦ Adjust volume levels on both TV and soundbar.◦ Check for interference from other wireless devices.◦ Ensure SpaceFit Sound Pro is enabled for optimal room calibration.◦ Try resetting the soundbar to factory settings (consult manual).

For more detailed troubleshooting, please refer to the complete user manual available on the Samsung

support website.

SPECIFICATIONS

Feature	Detail
Model Name	E1SAMHWQ990CRB
Mounting Type	Wall Mount
Speaker Type	Soundbar
Surround Sound Channel Configuration	11.1.4
Subwoofer Diameter	10 Inches
Connectivity Technology	Bluetooth, Wi-Fi
Wireless Communication Technology	Bluetooth, Wi-Fi
Product Dimensions (Soundbar)	5.4"D x 48.5"W x 2.7"H
Item Weight	50.3 Pounds (total system)
Included Components	Remote Controller, HDMI Cable, Wallmount Kit, Battery for Remote Controller
Special Features	Q-Symphony, True Dolby Atmos Sound, Hi-Res Audio Decoding, SpaceFit Sound Pro, Voice Enhance, Active Voice Amplifier, Wireless Dolby ATMOS

WARRANTY AND SUPPORT

The Samsung HW-Q990C Soundbar comes with a Limited Warranty. For specific warranty terms and conditions, please refer to the warranty card included in your product packaging or visit the official Samsung support website.

For technical support, product registration, or to download the full user manual, please visit the [Samsung Support Website](#) or contact Samsung customer service.

You can also find additional resources and FAQs on the [Samsung Brand Store on Amazon](#).