



[Manuals.plus](#) /

› [Monoprice](#) /

› Monoprice Monolith C4 Center Channel Speaker User Manual (Model 143160)

Monoprice 143160

Monoprice Monolith C4 Center Channel Speaker User Manual

Model: 143160

Audition Series

INTRODUCTION

This manual provides essential information for the proper setup, operation, and maintenance of your Monoprice Monolith C4 Center Channel Speaker. Please read this manual thoroughly before using the product to ensure optimal performance and safety.

The Monolith C4 Center Channel Speaker is designed to deliver clear dialogue and balanced sound for your home theater system, featuring a 20mm silk dome tweeter and robust woofers for an immersive audio experience.

SAFETY INFORMATION

- **Placement:** Position the speaker on a stable, level surface to prevent it from falling. Ensure adequate ventilation around the speaker.
- **Power:** This is a passive speaker and does not require direct power. Connect it only to an appropriate amplifier or AV receiver.
- **Moisture:** Do not expose the speaker to water or excessive moisture.
- **Heat:** Keep the speaker away from heat sources such as radiators, heat registers, stoves, or other heat-producing appliances.
- **Cleaning:** Use only a dry cloth for cleaning. Avoid liquid cleaners.
- **Servicing:** Do not attempt to service this product yourself. Refer all servicing to qualified service personnel.
- **Proposition 65 Warning:** This product may contain chemicals known to the State of California to cause

cancer and birth defects or other reproductive harm.

PACKAGE CONTENTS

Please ensure all items are present and in good condition. If anything is missing or damaged, contact Monoprice Customer Service.

- Monolith C4 Center Channel Speaker (1)

FEATURES

- **Tweeter Waveguide:** Features a 20mm silk dome tweeter set within a custom waveguide for improved sound dispersion, wider listening sweet spot, and enhanced imaging.
- **Transparent Midrange & Punchy Bass:** Equipped with lightweight and rigid woofers designed for clear midrange reproduction and dynamic bass response.
- **Timbre Matched:** Designed to match other Audition Series speakers for seamless sound integration in a multi-channel setup, ensuring consistent tonal quality.
- **Clear Dialogue:** Specifically tuned for maximum dialogue intelligibility, making it ideal for home theater applications.
- **Quality Cabinet Construction:** Constructed from MDF with thick internal bracing to minimize unwanted cabinet resonances, finished with a premium vinyl wrap.
- **Dual 5-Way Binding Posts:** Provides secure and versatile connectivity options for speaker cables.

SETUP

Speaker Placement

The center channel speaker is crucial for dialogue and should be placed directly above or below your television or projection screen, centered horizontally. Ensure the speaker is positioned at or near ear level for optimal sound clarity. Avoid placing objects directly in front of the speaker that could obstruct the sound.

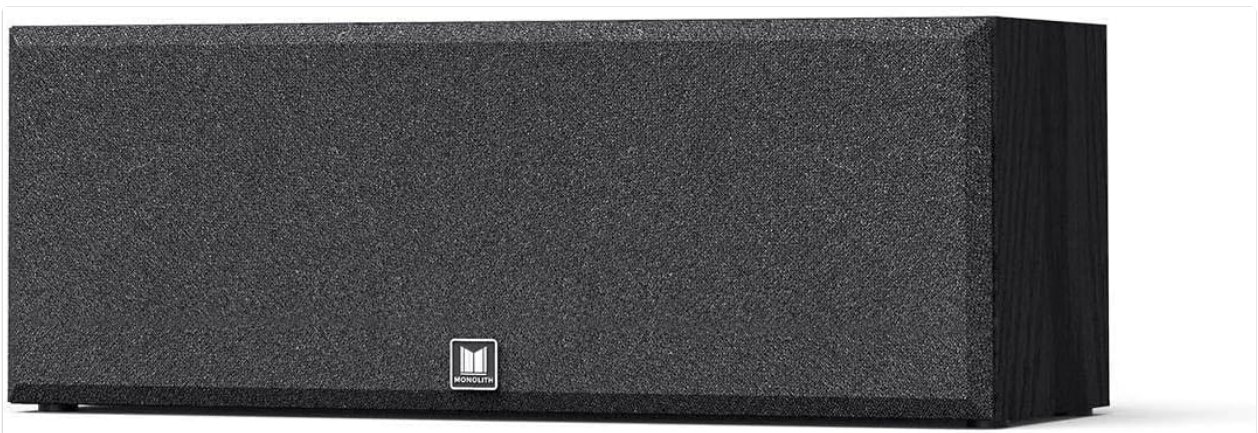


Image: Front view of the Monolith C4 Center Channel Speaker with its protective grille. This shows the speaker's compact design suitable for placement below or above a display.



Image: Front view of the Monolith C4 Center Channel Speaker with the grille removed, revealing the two woofers and the central tweeter with its waveguide. This illustrates the driver configuration.

Connecting to Your Receiver/Amplifier

- 1. Turn off all equipment:** Before making any connections, ensure your AV receiver/amplifier and the speaker are turned off.
- 2. Prepare speaker wire:** Strip approximately 1/2 inch (1.25 cm) of insulation from the ends of your speaker wire. Twist the bare strands tightly.
- 3. Identify terminals:** The Monolith C4 speaker has dual 5-way binding posts on the rear. These are typically color-coded: red for positive (+) and black for negative (-). Your receiver/amplifier will also have corresponding terminals.
- 4. Connect speaker wire:** Unscrew the binding post caps on both the speaker and your receiver. Insert the bare wire into the hole, ensuring no stray strands touch the other terminal. Tighten the caps securely. Connect the red (+) terminal on the speaker to the red (+) terminal on your receiver's center channel output. Connect the black (-) terminal on the speaker to the black (-) terminal on your receiver's center channel output.
- 5. Verify connections:** Double-check all connections to ensure correct polarity (positive to positive, negative to negative) and secure contact. Incorrect polarity can result in poor sound quality.



Image: Rear view of the Monolith C4 Center Channel Speaker, highlighting the dual 5-way binding posts and bass reflex ports. This shows where speaker cables are connected.

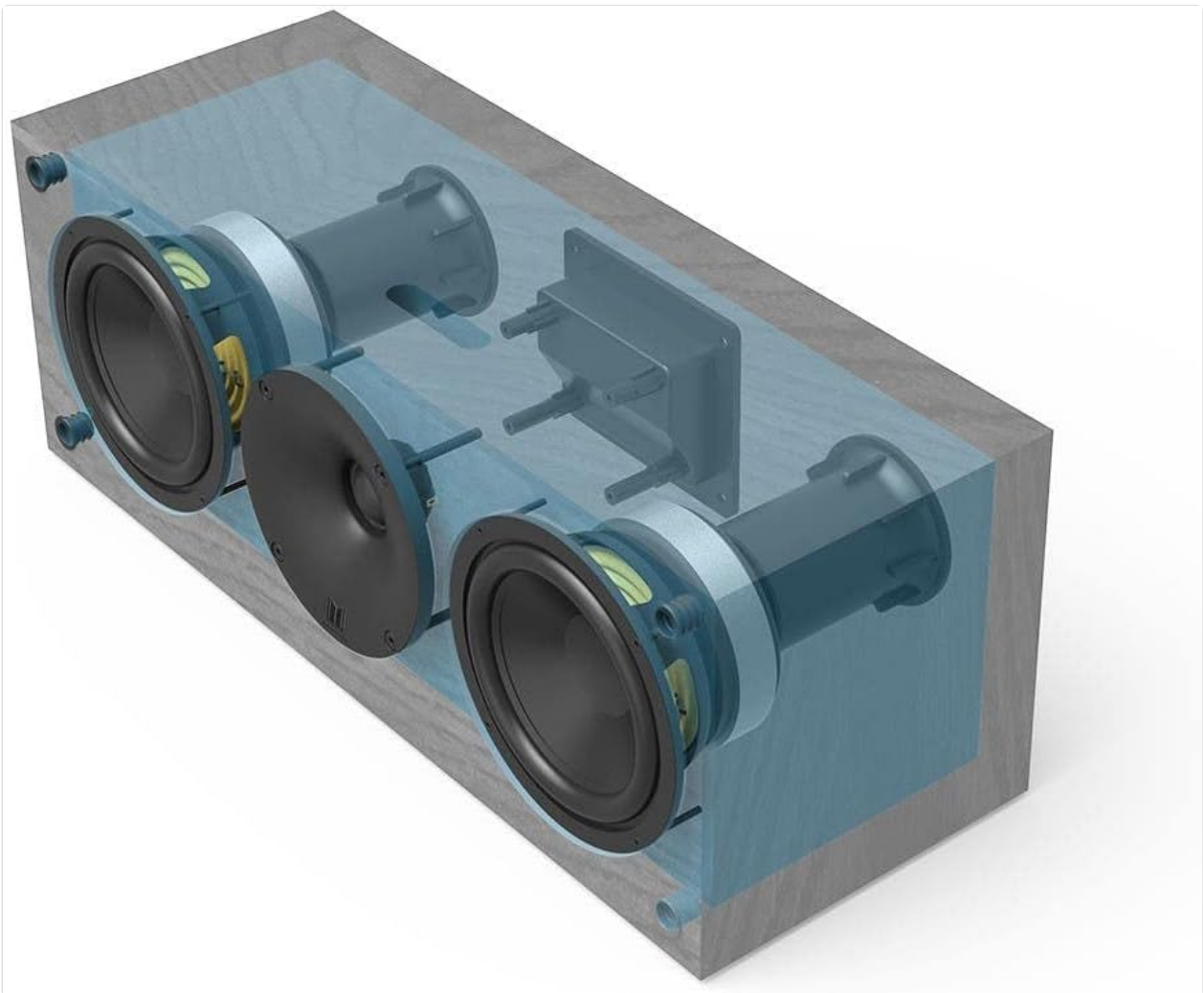


Image: An internal diagram of the Monolith C4 Center Channel Speaker, illustrating the placement of the woofers, tweeter, and internal bracing within the cabinet. This provides insight into the speaker's construction.

OPERATING INSTRUCTIONS

Once the Monolith C4 Center Channel Speaker is properly connected to your AV receiver or amplifier, its operation is controlled entirely by your receiver.

- **Power On:** Turn on your AV receiver/amplifier.
- **Source Selection:** Select the desired audio or video source on your receiver.
- **Volume Control:** Adjust the master volume on your receiver to your preferred listening level.
- **Receiver Calibration:** For optimal performance, it is highly recommended to run your AV receiver's automatic room calibration system (e.g., Audyssey, MCACC, YPAO) after connecting the speaker. This will properly set speaker levels, distances, and equalization for your listening environment.

MAINTENANCE

- **Cleaning:** Dust the speaker cabinet and grille regularly with a soft, dry cloth. Do not use liquid cleaners, aerosols, or abrasive materials, as these can damage the finish or drivers.
- **Grille Care:** The speaker grille can be carefully removed for cleaning or if you prefer the aesthetic of the exposed drivers. Handle the grille gently to avoid bending or damaging the fabric.
- **Environment:** Ensure the speaker is kept in a stable environment, away from extreme temperatures,

direct sunlight, and high humidity.

TROUBLESHOOTING

Problem	Possible Cause	Solution
No sound from the speaker.	<ul style="list-style-type: none">Loose or incorrect speaker wire connection.Receiver/amplifier not powered on or incorrect source selected.Center channel output disabled or volume too low on receiver.	<ul style="list-style-type: none">Check all speaker wire connections at both the speaker and receiver, ensuring correct polarity and secure contact.Verify receiver/amplifier is on and the correct input source is selected.Check receiver settings to ensure the center channel is enabled and its volume level is adequate.
Distorted or unclear sound.	<ul style="list-style-type: none">Loose speaker wire connections.Overdriving the speaker (volume too high).Incorrect receiver settings (e.g., crossover frequency).	<ul style="list-style-type: none">Re-check speaker wire connections for tightness and correct polarity.Reduce the volume on your receiver.Run your receiver's automatic room calibration or manually adjust speaker settings.
Sound is weak or lacking bass.	<ul style="list-style-type: none">Incorrect speaker polarity.Receiver settings not optimized.	<ul style="list-style-type: none">Ensure positive (+) terminals are connected to positive (+) and negative (-) to negative (-) at both ends.Perform receiver calibration or adjust bass/crossover settings.

SPECIFICATIONS

Brand	Monoprice
Model Number	143160
Speaker Type	Center Channel Speaker (Woofer)
Speaker Maximum Output Power	200 Watts
Connectivity Technology	Speaker Binding Posts (Wired)
Audio Output Mode	Multi-channel
Mounting Type	Shelf Mount
Enclosure Material	Plastic, Wood (MDF)
Tweeter Diameter	20 Millimeters
Speaker Size (Approximate Length)	47.6 Centimeters

Color	Multicolor (typically black wood grain)
Compatible Devices	Desktop, Television, Laptop (via AV receiver)
UPC	889028173633

WARRANTY AND SUPPORT

Warranty Information

This Monolith C4 Center Channel Speaker is covered by a **3-year limited warranty** from Monoprice. This warranty covers defects in materials and workmanship under normal use. For specific terms and conditions, please refer to the warranty documentation included with your purchase or visit the official Monoprice website.

Customer Support

If you encounter any issues or have questions regarding your Monolith C4 Center Channel Speaker that are not addressed in this manual, please contact Monoprice Customer Support. You can typically find contact information on the Monoprice website or on your purchase receipt.

Monoprice Website: www.monoprice.com