

iuknob IU-40

iuknob Fingerprint Door Knob User Manual

MODEL: IU-40

Smart Biometric Digital Lock with Keypad and Key

1. PRODUCT OVERVIEW

The iuknob IU-40 Fingerprint Door Knob is an advanced smart lock designed to provide enhanced security and convenience for various interior and exterior applications. It integrates multiple unlocking methods, including high-resolution fingerprint recognition, a secure keypad for passcodes, and traditional physical keys, offering flexibility and peace of mind.

Key features include:

- **Multiple Unlocking Options:** Supports up to 100 fingerprints, 50 user codes, and includes 2 physical keys.
- **Voice Navigation Programming:** Simplifies setup and code registration with clear voice prompts.
- **Web-Based Dynamic Password:** Generate temporary access codes without requiring an app or Wi-Fi connection.
- **Auto and Manual Lock Modes:** Customizable auto-lock timer (2 seconds to 12 hours) or manual locking control.
- **Durable Design:** Constructed from zinc, with an IP65 waterproof rating and wide operating temperature range (-22°F to 176°F).



Figure 1.1: The iuknob IU-40 Fingerprint Door Knob, showcasing its sleek design and integrated fingerprint sensor and keypad.

2. WHAT'S IN THE BOX

Upon opening the package, please verify that all components are present and undamaged. If any items are missing or damaged, contact customer support immediately.

What's in the box



Note: Batteries not included

Figure 2.1: All components included in the iuknob IU-40 Fingerprint Door Knob package. Note: Batteries are not included.

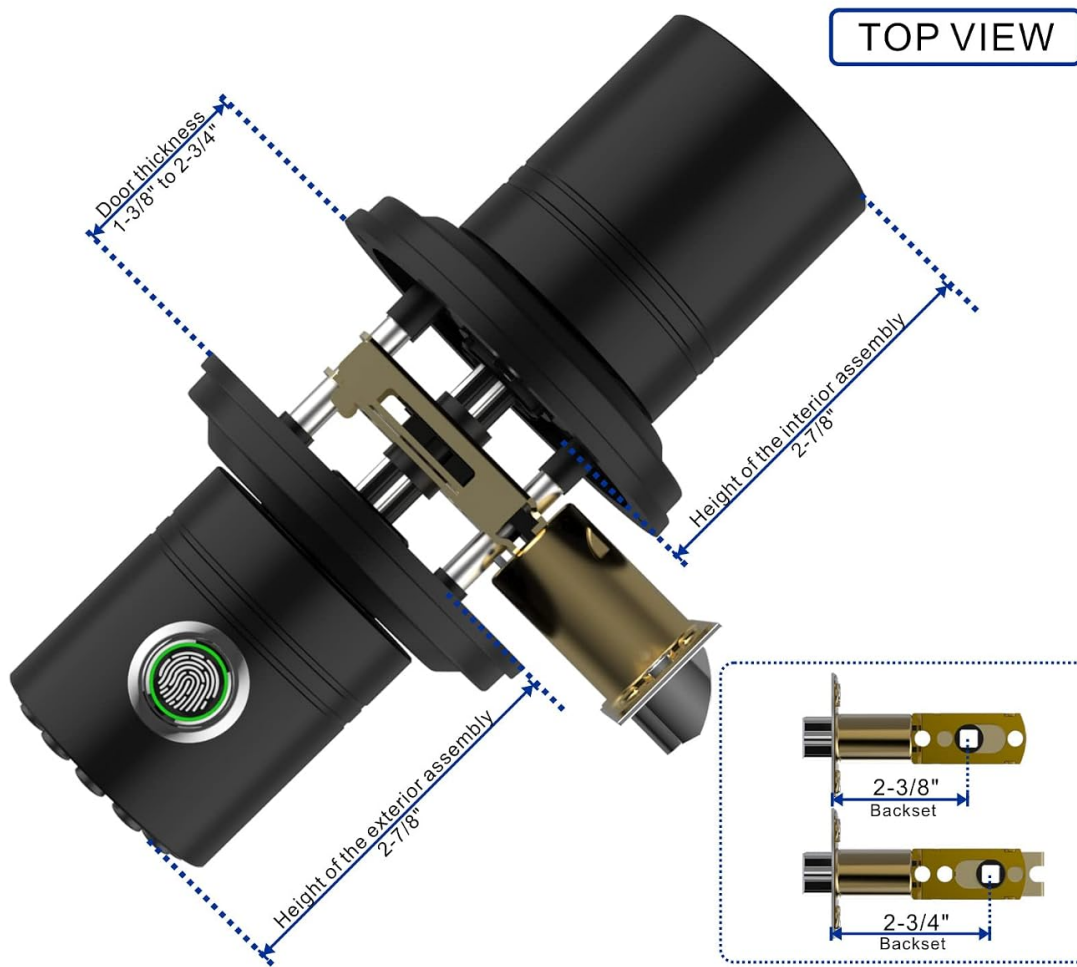
The box should contain:

- Exterior Door Knob Assembly (with fingerprint sensor and keypad)
- Interior Door Knob Assembly
- Adjustable Latch (2-3/8" or 2-3/4")
- Strike Plate
- Mounting Screws
- 2 Physical Keys
- Installation Guide / User Manual

3. SETUP AND INSTALLATION

The iuknob IU-40 Fingerprint Door Knob is designed for easy installation with a standard screwdriver. It is compatible with door thicknesses from 1-3/8" to 2-3/4" and features an adjustable backset for both 2-3/8" and 2-3/4" configurations, making it suitable for most standard doors.

Adjustable Backset and Universal Fit



This fingerprint keypad door knob has the same size as a traditional mechanical door handle and is suitable for both left and right swinging doors. It has an adjustable backset of 2-3/8 inches or 2-3/4 inches, making it easy to replace traditional mechanical door knobs.

Figure 3.1: Dimensional diagram illustrating the adjustable backset and universal fit of the iuknob IU-40, compatible with standard door preparations.

3.1 Pre-Installation Checklist

- Ensure your door has the correct bore holes and backset.
- Gather necessary tools: Phillips head screwdriver.
- Prepare 4 AAA batteries (not included).

3.2 Installation Steps

1. **Adjust Latch:** If necessary, adjust the latch to either 2-3/8" or 2-3/4" backset.
2. **Install Latch:** Insert the latch into the door edge, ensuring the bolt faces the correct direction. Secure with screws.
3. **Install Exterior Assembly:** Feed the cable from the exterior knob through the door hole and align the spindle with the latch.
4. **Install Interior Assembly:** Connect the cable from the exterior assembly to the interior assembly. Align the interior assembly with the mounting posts and secure with screws.
5. **Install Batteries:** Open the battery cover on the interior assembly and insert 4 AAA batteries, observing

polarity.

6. **Test Operation:** After installation, test the mechanical operation of the knob and latch.

4. OPERATING INSTRUCTIONS

The iuknob IU-40 offers multiple ways to unlock and manage access. The voice navigation system will guide you through programming steps.



Figure 4.1: The iuknob IU-40 provides three convenient unlocking methods: fingerprint, passcode, and traditional key.

4.1 Initial Setup and Master Code

Upon first use, you will need to set up a Master Code. This code is essential for programming new users, fingerprints, and adjusting settings.

1. Press the 'Program' button (usually located on the interior side).
2. Follow the voice prompts to enter a new Master Code (6-10 digits) followed by '#'. Re-enter to confirm.

4.2 Adding Fingerprints

The lock can store up to 100 unique fingerprints.

1. Press the 'Program' button, then enter the Master Code followed by '#'.
2. Select the option for adding fingerprints (follow voice prompts).
3. Place your finger on the sensor. Lift and repeat several times until the voice prompt confirms successful registration.

4.3 Adding User Codes

The lock supports up to 50 user codes.

1. Press the 'Program' button, then enter the Master Code followed by '#'.
2. Select the option for adding user codes (follow voice prompts).
3. Enter a new user code (6-10 digits) followed by '#'. Re-enter to confirm.

4.4 Unlocking the Door

- **By Fingerprint:** Place a registered finger on the sensor. The lock will unlock if recognized.
- **By Passcode:** Enter a registered user code on the keypad, then press '#'. The keypad is backlit for night use.
- **By Key:** Insert the physical key into the keyhole and turn to unlock.

4.5 Auto-Lock and Manual Lock Modes

The lock defaults to auto-lock mode. You can customize the auto-lock timer or switch to manual mode.

- **Auto-Lock Timer:** The timer can be set from 2 seconds to 12 hours via programming.
- **Manual Lock Mode:** In this mode, the door will not automatically lock. You must manually lock it by pressing a specific button or turning the knob from the inside.

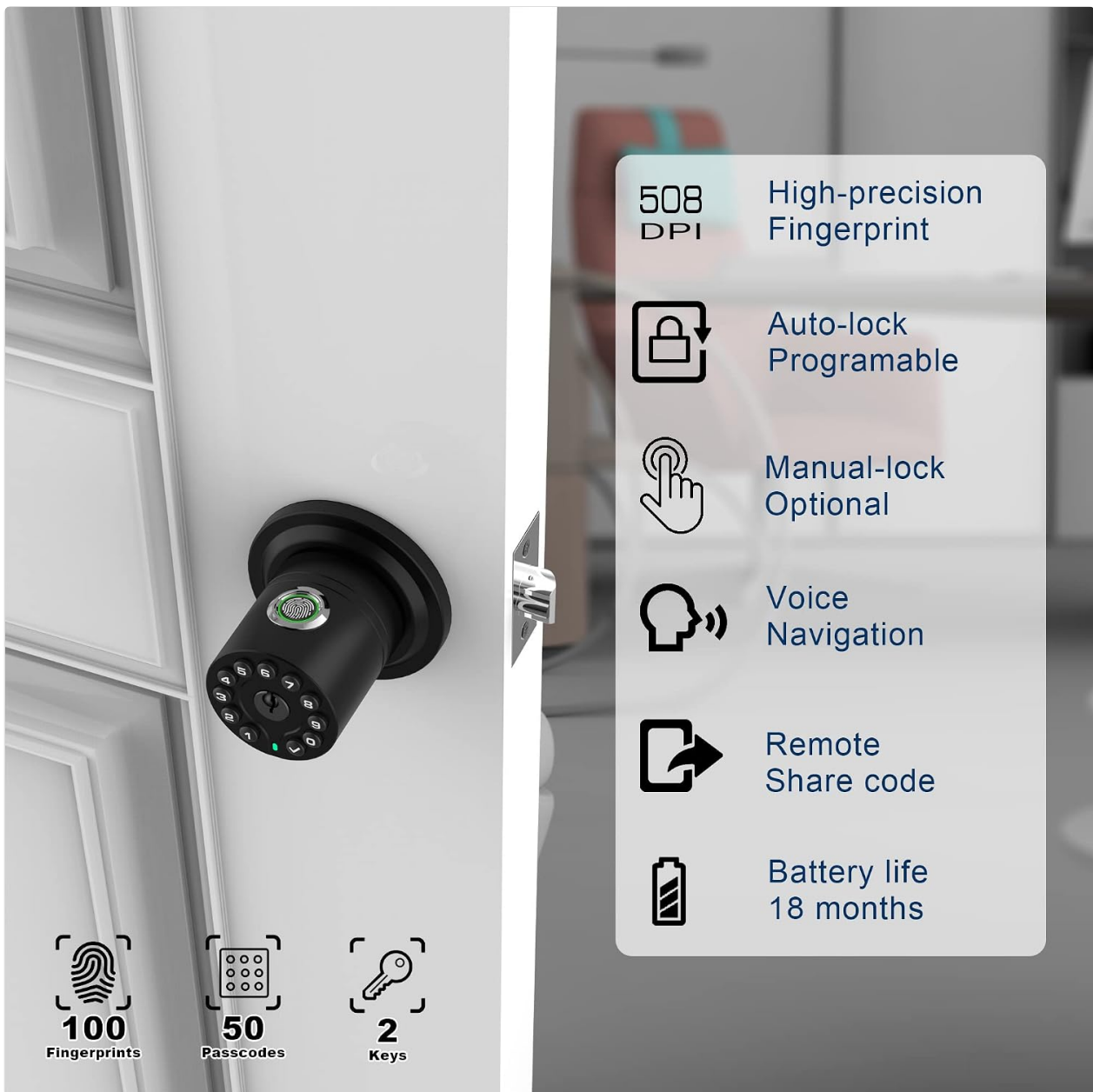


Figure 4.2: Overview of key operational features including fingerprint recognition, locking modes, voice navigation, and battery life.

5. MAINTENANCE

To ensure the longevity and optimal performance of your iuknob Fingerprint Door Knob, follow these maintenance guidelines:

- **Cleaning:** Wipe the lock surface with a soft, dry cloth. Avoid abrasive cleaners, solvents, or harsh chemicals that could damage the finish or electronic components.
- **Battery Replacement:** The lock will provide a voice prompt when the battery is low. Replace all 4 AAA batteries promptly to avoid loss of function. A Type-C USB charging port is available for emergency power if batteries die.
- **Fingerprint Sensor Care:** Keep the fingerprint sensor clean and free of dirt or moisture. Gently wipe it with a clean, lint-free cloth if smudges or debris are present.
- **Mechanical Check:** Periodically check that the knob turns smoothly and the latch operates without obstruction.

6. TROUBLESHOOTING

If you encounter issues with your iuknob Fingerprint Door Knob, refer to the following common problems and solutions:

Problem	Possible Cause	Solution
Lock does not respond / No power	Dead batteries	Replace all 4 AAA batteries. Use the Type-C USB port for emergency power.
Fingerprint not recognized	Finger wet/dirty, sensor dirty, unregistered fingerprint	Ensure finger and sensor are clean and dry. Re-register fingerprint if necessary. Try another registered finger.
Keypad not responding	Low battery, incorrect code entered	Replace batteries. Ensure correct code is entered.
Lock does not auto-lock	Manual mode enabled, auto-lock timer set too long	Check settings to ensure auto-lock is enabled and timer is set appropriately.
Voice prompts are unclear or too loud/quiet	Volume setting needs adjustment	Refer to the full manual for instructions on adjusting voice prompt volume.

If the problem persists after attempting these solutions, please contact iuknob customer support.

7. SPECIFICATIONS

Brand	iuknob
Model	IU-40
Lock Type	Key Lock, Combination Lock, Keypad, Fingerprint Door Knob
Special Feature	Fingerprint, Voice Navigation, Keypad with Key
Material	Zinc
Item Dimensions (L x W x H)	7 x 4 x 4 inches
Door Thickness Compatibility	1-3/8" to 2-3/4"
Backset Compatibility	2-3/8" or 2-3/4" (Adjustable)
Fingerprint Capacity	Up to 100
User Code Capacity	Up to 50
Operating Temperature	-22°F to 176°F (-30°C to 80°C)

Waterproof Level	IP65
Power Supply	4 x AAA Batteries (not included)
Emergency Power	Type-C USB charging port

8. WARRANTY AND SUPPORT

The iuknob Fingerprint Door Knob comes with a **1-year manufacturer's warranty** from the date of purchase. This warranty covers defects in materials and workmanship under normal use.

iuknob is committed to providing excellent customer service. We offer:

- **Lifetime After-Sales Customer Service:** Assistance with product inquiries, usage, and general support.
- **24/7 Technical Support:** Dedicated technical assistance for installation, troubleshooting, and advanced features.

For warranty claims, technical support, or any other inquiries, please contact iuknob customer service through the contact information provided with your purchase or on the official iuknob website.