



Manuals.plus /

› Merax /

› Merax Metal Bunk Bed with Twin Trundle, Twin Over Full Bunk Bed Instruction Manual

Merax Twin-over-Full with Trundle

Merax Metal Bunk Bed with Twin Trundle, Twin Over Full Bunk Bed Instruction Manual

Model: Twin-over-Full with Trundle

INTRODUCTION

This manual provides essential instructions for the safe assembly, operation, and maintenance of your Merax Metal Bunk Bed with Twin Trundle, Twin Over Full configuration. Please read all instructions carefully before assembly and retain this manual for future reference.



Image: The Merax Metal Bunk Bed in silver, featuring a twin bed on top, a full bed on the bottom, and a pull-out twin trundle bed. The bed is shown in a room setting with bedding.

SAFETY INFORMATION

WARNING: Failure to follow these warnings and instructions could result in serious injury or death.

- Always use the recommended mattress size for each bed level. For the upper bed, the mattress thickness should not exceed 6 inches. For the bottom bed, 8-10 inches. For the trundle bed, 6 inches.
- Ensure all connections are securely tightened before use and periodically check for tightness.
- The top bunk is not suitable for children under 6 years of age.
- Prohibit more than one person on the upper bunk.
- Always use the ladder for entering and leaving the upper bunk. Do not use the bed as a play structure.
- Do not attach or hang items to any part of the bunk bed that are not designed for use with the bed; for example, but not limited to, hooks, belts, and jump ropes.
- The bunk bed is designed for specific weight capacities: Upper bed: 250 lbs, Bottom bed: 350 lbs, Trundle bed: 250 lbs. Do not exceed these limits.

- Guardrails are essential for the safety of the upper bunk occupant. Ensure they are always in place and properly secured.

PACKAGE CONTENTS

Before beginning assembly, ensure all parts are present and undamaged. If any parts are missing or damaged, do not proceed with assembly. Contact customer support for assistance.

- Upper Bed Frame Components
- Lower Bed Frame Components
- Trundle Bed Frame Components
- Guardrails
- Two-Side Ladders
- Mattress Slats for all three beds
- Assembly Hardware (screws, bolts, washers, Allen wrench)
- Instruction Manual

SETUP AND ASSEMBLY INSTRUCTIONS

Assembly requires at least two adults. Clear a large area for assembly. Do not use power tools as they may overtighten fasteners and damage the frame.

1. **Unpack and Identify Parts:** Carefully remove all components from the packaging. Lay them out on a soft, clean surface to prevent scratches. Refer to the parts list (if provided separately) to identify each piece.
2. **Assemble the Lower Bed Frame:** Begin by connecting the side rails to the headboard and footboard of the full-size lower bed. Secure all connections with the provided hardware, but do not fully tighten until the frame is stable.
3. **Install Lower Bed Slats:** Place the full-size mattress slats onto the support rails of the lower bed frame. Ensure they are evenly spaced and secured according to the instructions.
4. **Assemble the Upper Bed Frame:** Connect the side rails to the headboard and footboard of the twin-size upper bed. Secure with hardware, leaving slightly loose for adjustments.
5. **Install Upper Bed Slats:** Place the twin-size mattress slats onto the support rails of the upper bed frame.
6. **Attach Guardrails:** Secure the safety guardrails to the upper bunk frame. Ensure they are firmly attached to prevent accidental falls.
7. **Attach Ladders:** Connect the two side ladders to the upper bunk. Verify they are stable and provide secure access to the top bunk.
8. **Assemble the Trundle Bed Frame:** Assemble the twin-size trundle frame, attaching the wheels (casters) as instructed. Ensure two casters are locking and two are non-locking for stability.



Image: A detailed view of the metal trundle bed frame, showing the slatted base and the four casters (wheels) for easy movement.

9. **Install Trundle Bed Slats:** Place the twin-size mattress slats onto the trundle bed frame.
10. **Final Tightening:** Once all components are assembled and aligned, systematically tighten all bolts and screws using the provided Allen wrench. Do not overtighten.
11. **Placement:** Position the assembled bunk bed in its desired location. Ensure there is adequate clearance around the bed and for the trundle to extend.

OPERATING INSTRUCTIONS

Using the Trundle Bed:

- To extend the trundle bed, gently pull the handles located on the front of the trundle frame. The casters will allow it to roll out smoothly.
- Once extended, engage the locking casters to prevent the trundle from moving during use.
- To retract, unlock the casters and push the trundle back under the main bed frame until it is fully stored.



Image: The Merax Metal Bunk Bed with the twin trundle bed fully extended from beneath the full-size lower bunk, ready for use.

Using the Ladders:

- Always use the provided ladders to access the upper bunk.
- Ensure a firm grip on the ladder rungs and side rails when climbing or descending.
- Do not jump onto or off the bunk bed.

MAINTENANCE

- **Cleaning:** Wipe the metal frame with a soft, damp cloth. Avoid abrasive cleaners or harsh chemicals that could damage the finish.
- **Hardware Check:** Periodically (every 3-6 months) inspect all bolts, screws, and connections to ensure they remain tight. Retighten as necessary to maintain stability and safety.
- **Slats Inspection:** Check mattress slats for any signs of damage or bending. Replace any damaged slats immediately.
- **Trundle Casters:** Keep trundle casters clean and free of debris to ensure smooth operation.

TROUBLESHOOTING

Issue: Bed is squeaking or unstable.

Solution: This often indicates loose hardware. Carefully inspect all bolts and screws throughout the entire bed frame and trundle. Tighten any loose connections using the provided Allen wrench. Avoid overtightening.

Issue: Trundle bed does not roll smoothly.

Solution: Check the casters (wheels) for any trapped debris, hair, or obstructions. Clean them if necessary. Ensure the floor surface is clear. Verify that the casters are properly installed and not damaged.

Issue: Missing parts or damaged components upon arrival.

Solution: Do not proceed with assembly. Contact Merax customer support immediately with your purchase details and a description of the missing or damaged parts. Refer to the contact information provided in your purchase documentation.

SPECIFICATIONS

Product Dimensions (Overall)	78.1"L x 96.8"W x 63"H
Upper Bed Size	Twin (74.8" x 38.9")
Lower Bed Size	Full (74.8" x 53.9")
Trundle Bed Size	Twin (70.8" x 38.9")
Weight Capacity (Upper Bed)	250 lbs
Weight Capacity (Lower Bed)	350 lbs
Weight Capacity (Trundle Bed)	250 lbs
Recommended Mattress Thickness (Upper)	6 inches
Recommended Mattress Thickness (Lower)	8-10 inches
Recommended Mattress Thickness (Trundle)	6 inches
Material	Steel
Color	Silver
Assembly Required	Yes

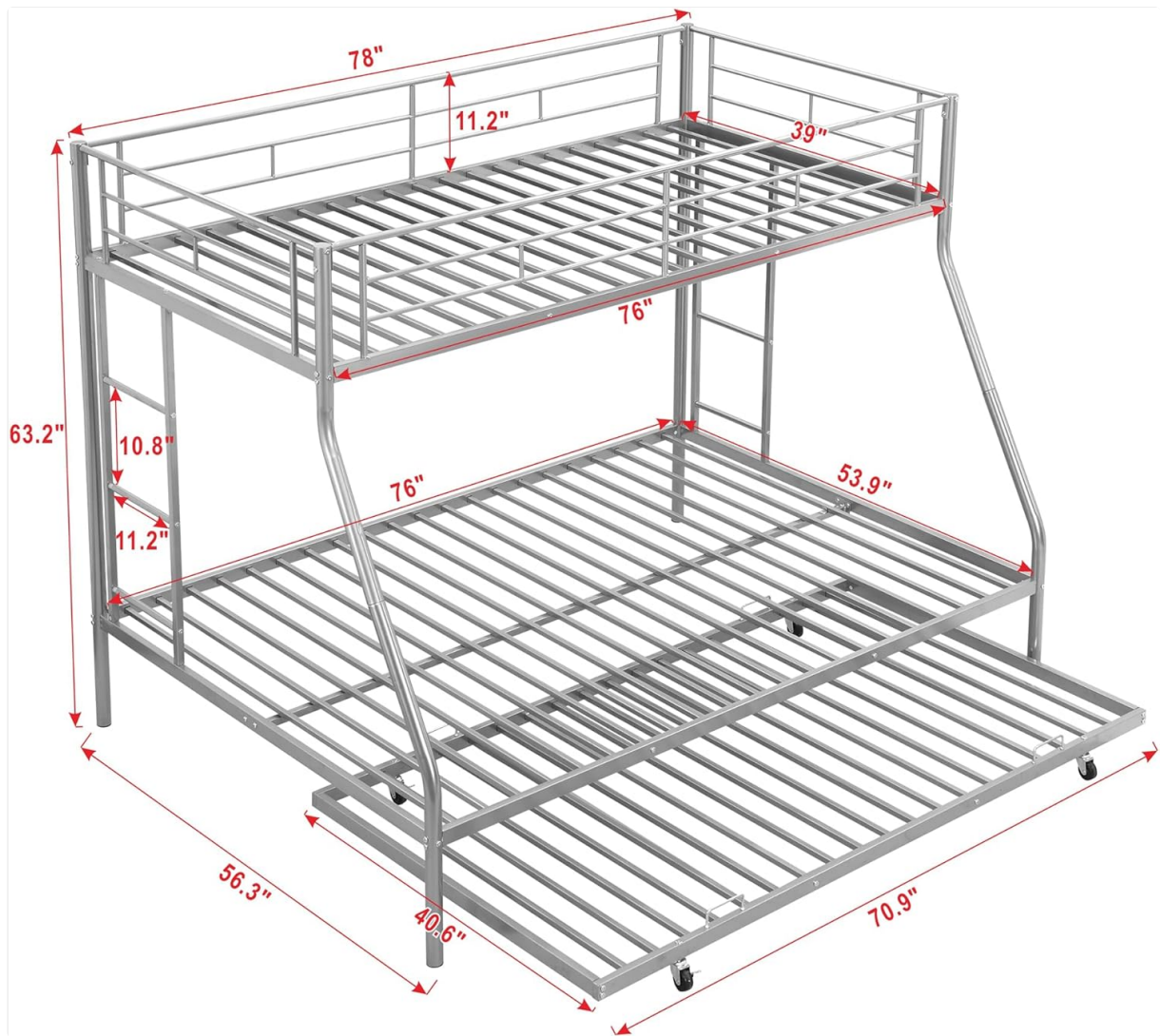


Image: Technical drawing of the Merax Metal Bunk Bed showing overall dimensions and key measurements for the upper, lower, and trundle beds.

WARRANTY AND SUPPORT

Merax provides a limited warranty for its products. Please refer to the warranty card included with your purchase or visit the official Merax website for detailed warranty terms and conditions.

For technical assistance, missing parts, or any other inquiries, please contact Merax customer support.

Have your model number and purchase date ready when contacting support.

Merax Official Website: Visit Merax Store on Amazon