



[Manuals.plus](#) /

> [vidaXL](#) /

> vidaXL TV Cabinet with Door, White Engineered Wood, Model 823350 User Manual

**vidaXL 823350**

# vidaXL TV Cabinet with Door (Model 823350) - User Manual

White Engineered Wood

## 1. INTRODUCTION

---

This manual provides essential information for the assembly, operation, and maintenance of your vidaXL TV Cabinet with Door, Model 823350. This classic TV cabinet, crafted from white engineered wood, offers practical storage and a modern aesthetic for your living space. Please read these instructions carefully before beginning assembly and retain them for future reference.



Image 1.1: The vidaXL TV Cabinet with Door, Model 823350, in white engineered wood.

## 2. SAFETY INFORMATION

---

Please observe the following safety precautions to ensure safe use and prevent damage to the product or injury.

- **Assembly:** Assemble the unit on a soft, clean surface to prevent scratches. Ensure all components are correctly installed and tightened according to the assembly instructions.
- **Stability:** Do not overload the cabinet. Distribute weight evenly across shelves and the top surface. For added stability, consider securing the unit to a wall, especially if children are present.
- **Weight Capacity:** The top surface is designed to hold a television of appropriate size and weight. Refer to the specifications section for maximum weight limits.
- **Children:** Keep small parts and packaging materials away from children during assembly. Do not allow children to climb on or play with the cabinet.
- **Placement:** Place the cabinet on a level surface to prevent tipping. Avoid placing it near heat sources or in direct sunlight to prevent material degradation.

## 3. PACKAGE CONTENTS

---

Before assembly, verify that all parts listed in the included assembly guide are present and undamaged. If any parts are missing or damaged, please contact customer support.

Typically, your package will contain:

- Engineered wood panels (top, bottom, sides, shelves, doors)
- Hardware pack (screws, dowels, hinges, handles, etc.)
- Assembly instructions manual

## 4. SETUP & ASSEMBLY

Assembly of the vidaXL TV Cabinet is designed to be straightforward. Please follow the step-by-step instructions provided in the separate assembly manual included in your package. Below are general guidelines and visual aids.

### 4.1 Tools Required

- Phillips head screwdriver
- Hammer (for dowels)
- Measuring tape (optional, for placement)

### 4.2 Assembly Steps (General)

1. **Unpack and Identify Parts:** Carefully unpack all components and lay them out on a clean, soft surface. Refer to the parts list in your assembly manual to identify each piece.
2. **Assemble the Base:** Attach the side panels to the bottom panel using the provided hardware (dowels and screws).
3. **Install Shelves and Dividers:** Insert the internal shelves and dividers into their designated slots or attach them with hardware.
4. **Attach the Top Panel:** Secure the top panel to the assembled structure.
5. **Mount Doors:** Attach the hinges to the doors and then to the cabinet frame. Adjust hinges as needed for proper door alignment.
6. **Install Handles:** Secure the handles to the doors.
7. **Final Check:** Ensure all screws are tightened and the cabinet is stable.



Image 4.1: Interior view of the cabinet, illustrating the storage compartments and shelves.



Image 4.2: Detail of a door hinge, important for proper door function.

## 5. OPERATING INSTRUCTIONS

Your vidaXL TV Cabinet is designed for convenient storage and display of your entertainment equipment and other items.

- **Placing a Television:** Position your television centrally on the top surface. Ensure the TV's base fits securely within the cabinet's dimensions. Do not exceed the maximum weight capacity.
- **Using Storage Compartments:** The cabinet features two compartments with doors and open shelves. Use these for storing DVD players, game consoles, streaming devices, media, books, or decorative items.
- **Cable Management:** While not explicitly designed with cable holes, cables can be routed discreetly behind the unit or through the open central sections.
- **Door Operation:** The doors open and close smoothly. Avoid forcing them. The "quick release button" feature (if present, as per specifications) allows for easy removal of doors for cleaning or access.



Image 5.1: The TV cabinet in use, displaying a television and decorative items.

## 6. MAINTENANCE

---

Proper care will extend the life and maintain the appearance of your TV cabinet.

- **Cleaning:** Wipe with a dry cloth. For stubborn marks, use a slightly damp cloth with a mild, non-abrasive cleaner, then dry immediately. Avoid harsh chemicals.
- **Spills:** Clean up spills immediately to prevent moisture damage to the engineered wood.
- **Hardware:** Periodically check all screws and fittings to ensure they remain tight. Retighten if necessary.
- **Avoid Direct Sunlight:** Prolonged exposure to direct sunlight can cause fading or discoloration.

## 7. TROUBLESHOOTING

---

If you encounter any issues with your TV cabinet, refer to the following common solutions:

Problem	Possible Cause	Solution
Cabinet is wobbly.	Loose screws or uneven floor.	Check and tighten all assembly screws. Ensure the cabinet is on a level surface; use shims if necessary.
Doors do not align properly.	Hinges are not adjusted correctly.	Adjust the screws on the hinges to align the doors. Refer to the detailed assembly manual for hinge adjustment instructions.
Scratches or minor damage.	Accidental impact during assembly or use.	For minor scratches, touch-up pens or furniture repair kits designed for engineered wood can be used.

## 8. SPECIFICATIONS

---

Key specifications for the vidaXL TV Cabinet with Door, Model 823350:

- **Model Number:** 823350
- **Brand:** vidaXL
- **Color:** White
- **Material:** Engineered Wood
- **Overall Dimensions (L x W x H):** 102 x 30 x 36 cm (40.2" x 11.8" x 14.3")
- **Weight:** 15.2 Kilograms
- **Style:** Classic
- **Special Features:** Quick release button (for doors)
- **Assembly Required:** Yes

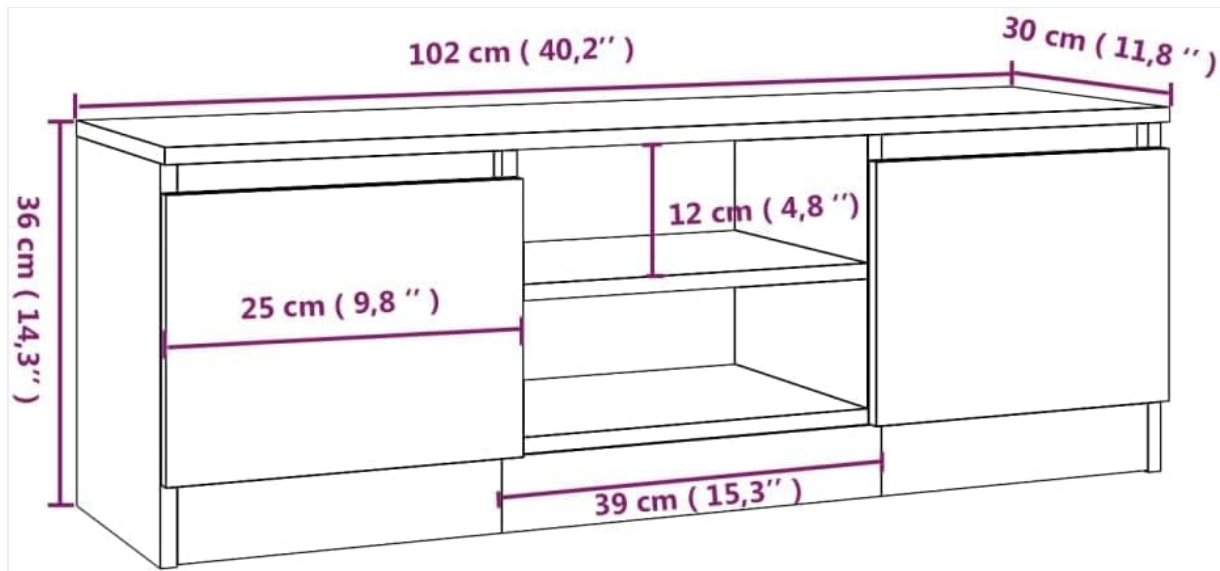


Image 8.1: Dimensional diagram of the TV cabinet.

## 9. WARRANTY & SUPPORT

For warranty information, product support, or to report missing/damaged parts, please refer to the documentation included with your purchase or contact vidaXL customer service directly.

You can often find support contact details on the manufacturer's official website: [www.vidaxl.com](http://www.vidaxl.com)