



[Manuals.plus](#) /

> [Jorumo](#) /

> Jorumo Demon Slayer Kamado Tanjiro Sword Building Set Model J-DS Instruction Manual

## Jorumo J-DS

# Jorumo Demon Slayer Kamado Tanjiro Sword Building Set

MODEL: J-DS INSTRUCTION MANUAL

## Introduction

---

This manual provides detailed instructions for the assembly, usage, and maintenance of your Jorumo Demon Slayer Kamado Tanjiro Sword Building Set, Model J-DS. This set allows you to construct a replica of Kamado Tanjiro's sword from the Demon Slayer anime using 759 building blocks. It is designed for individuals aged 8 years and up.



Figure 1: Fully assembled Kamado Tanjiro Sword with its scabbard and display stand.

## Safety Information

- **Small Parts Warning:** This set contains small parts and is not suitable for children under 3 years due to choking hazards.
- **Adult Supervision:** Adult supervision is recommended during assembly, especially for younger users.
- **Intended Use:** This product is a building toy and display item. It is not designed for vigorous play or combat. Avoid swinging it forcefully.
- **Material Safety:** The building blocks are made of ABS plastic, certified to international environmental standards (ASTM F963-17 and CPSIA).

## Package Contents

Verify that all components are present before beginning assembly:

- 759 Building Blocks (various shapes and colors)
- Full-Color Instruction Manual

- Sword Scabbard Components
- Display Stand Components

## Assembly Instructions (Setup)

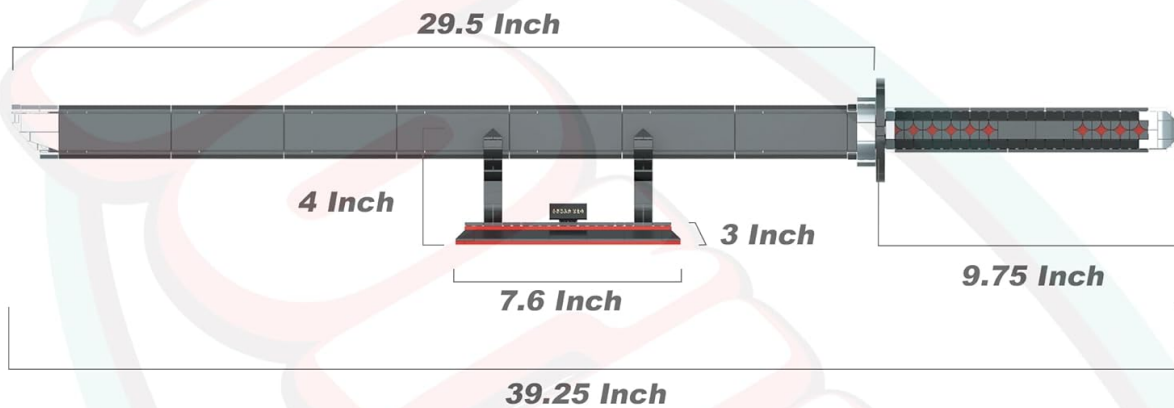
Follow the included full-color instruction manual step-by-step for optimal assembly. The manual provides detailed diagrams for each stage of construction.

1. **Preparation:** Unpack all building blocks and organize them by color or shape as suggested in the manual. Ensure a clean, flat workspace.
2. **Sword Assembly:** Begin by constructing the blade and handle sections of the sword. Pay close attention to the precise CNC-cut pieces to ensure firm connections.
3. **Scabbard Assembly:** Assemble the scabbard according to the instructions. Some sections may require careful alignment.
4. **Display Stand Assembly:** Construct the display stand. This stand is designed to securely hold the assembled sword and scabbard.
5. **Final Check:** After completing all steps, review the assembled sword and stand to ensure all pieces are correctly attached and the structure is stable.



Figure 2: Close-up of the sword's construction, emphasizing detail and educational benefits.

## Product parameters



### Full-Color Instruction Manual\*1



**Applicable Age:** 8+

**Number of Pieces:** 759 PCS

**Certified:** ASTM F963-17, CPSIA

**Material Science:** High quality non-toxic ABS

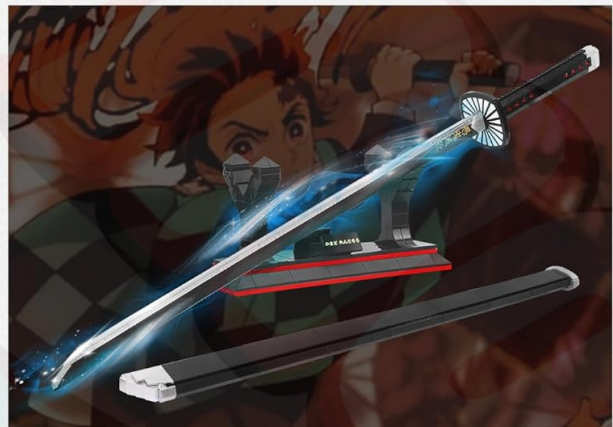


Figure 3: Example of the building process, promoting hand-eye coordination and problem-solving.

## Operating and Usage

Once assembled, the Jorumo Demon Slayer Kamado Tanjiro Sword is primarily intended for display and light handling.

- **Display:** Place the sword and scabbard on the provided display stand in a secure location to showcase the model.
- **Handling:** The sword supports light swinging for role-play or demonstration. Avoid vigorous or forceful movements, as this may cause damage to the structure.
- **Cosplay:** The 40-inch length makes it suitable for cosplay purposes. Handle with care during use.

## Maintenance

To ensure the longevity and appearance of your building set:

- **Cleaning:** Dust the assembled model regularly with a soft, dry cloth. For stubborn dirt, a slightly damp cloth can be used, followed by immediate drying.

- **Storage:** When not on display, store the set in a cool, dry place away from direct sunlight to prevent material degradation or color fading.
- **Handling:** Always handle the sword by its handle and avoid putting excessive pressure on the blade or other delicate parts.

## Troubleshooting

---

- **Missing Pieces:** If you find any pieces missing during assembly, please contact Jorumo customer support. Refer to the contact information in the Support section.
- **Loose Connections:** Ensure that each block is firmly pressed into place. If a connection feels loose, disassemble and reassemble the section carefully.
- **Difficulty with Instructions:** If a step in the instruction manual is unclear, re-examine the diagrams closely. Online resources or customer support may also provide assistance.

## Specifications

---

- **Product Dimensions:** 9.45 x 2.36 x 7.87 inches (packaged)
- **Assembled Length:** Approximately 40 inches
- **Item Weight:** 2 pounds
- **Model Number:** J-DS
- **Manufacturer Recommended Age:** 8 years and up
- **Number of Pieces:** 759
- **Material:** High-quality non-toxic ABS plastic
- **Certifications:** ASTM F963-17, CPSIA

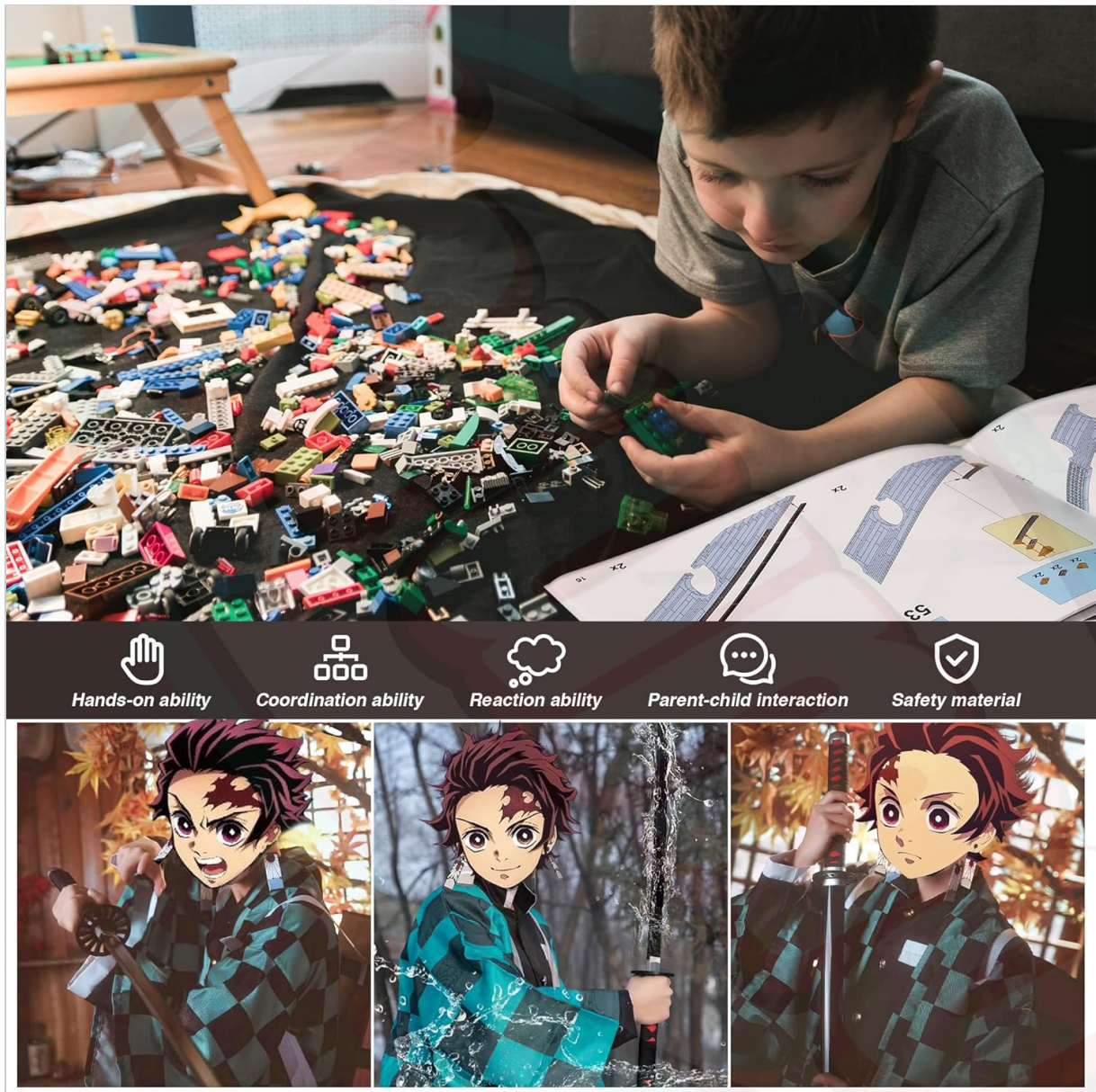


Figure 4: Product dimensions and key specifications.

## Official Product Video

Watch the official product video for a visual overview of the Jorumo Demon Slayer Sword Building Set.

Your browser does not support the video tag.

*Video: An overview of the Jorumo Demon Slayer Sword Building Set, showcasing its features and various styles.*

## Warranty and Support

Jorumo is committed to providing high-quality products. For any questions, concerns, or issues regarding your building set, including missing parts or assembly difficulties, please contact Jorumo customer support through the retailer's platform or the official Jorumo website. Please retain your proof of purchase for warranty claims.