



[Manuals.plus](#) /

> [MineCtrl](#) /

> MineCtrl RMT Linear Actuator R8123: Power Recliner Lift Chairs Motor Replacement Manual

MineCtrl R8123

MineCtrl RMT Linear Actuator R8123: Power Recliner Lift Chairs Motor Replacement Manual

Model: R8123 (R812302040333)

Brand: MineCtrl

1. INTRODUCTION

This manual provides essential instructions for the installation, operation, and maintenance of the MineCtrl RMT Linear Actuator Model R8123. This product is designed as a replacement motor for power recliners and lift chairs. Please read this manual thoroughly before installation and use to ensure proper function and safety.

2. IMPORTANT SAFETY INFORMATION

- **Always unplug the power supply before installation or troubleshooting.** This prevents electrical shock and damage to the unit.
- Do not expose the motor to liquids or excessive heat.
- Ensure the chair's weight capacity is not exceeded. Refer to your chair's manufacturer specifications.
- Always follow the assembly instructions carefully to prevent injury.
- Keep children and pets away from the chair during installation and operation.

3. PRODUCT OVERVIEW

The MineCtrl RMT Linear Actuator R8123 is a robust replacement motor for various power recliner and lift chair models. It features specific connection types and a defined stroke length to ensure compatibility with your existing furniture.

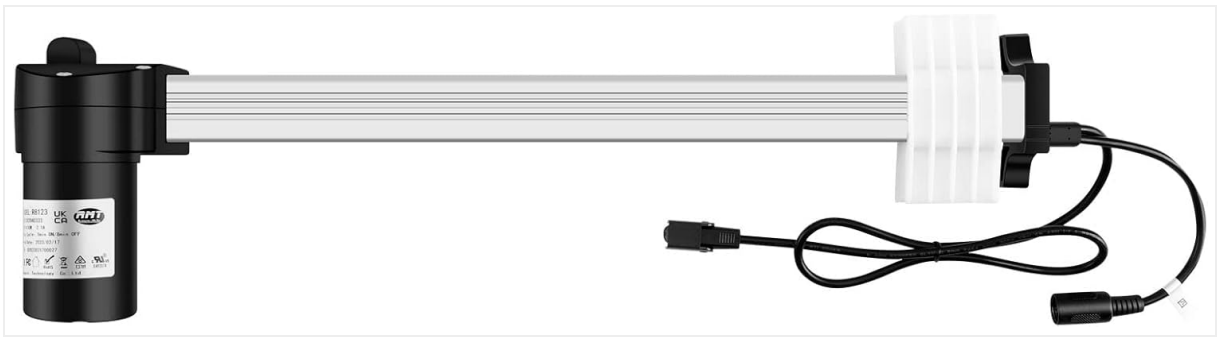


Figure 1: The MineCtrl RMT Linear Actuator R8123, showing the complete unit with motor housing, linear shaft, and connection cables.



Figure 2: A close-up view of the motor housing, clearly displaying the model number R8123 and other specifications for verification.

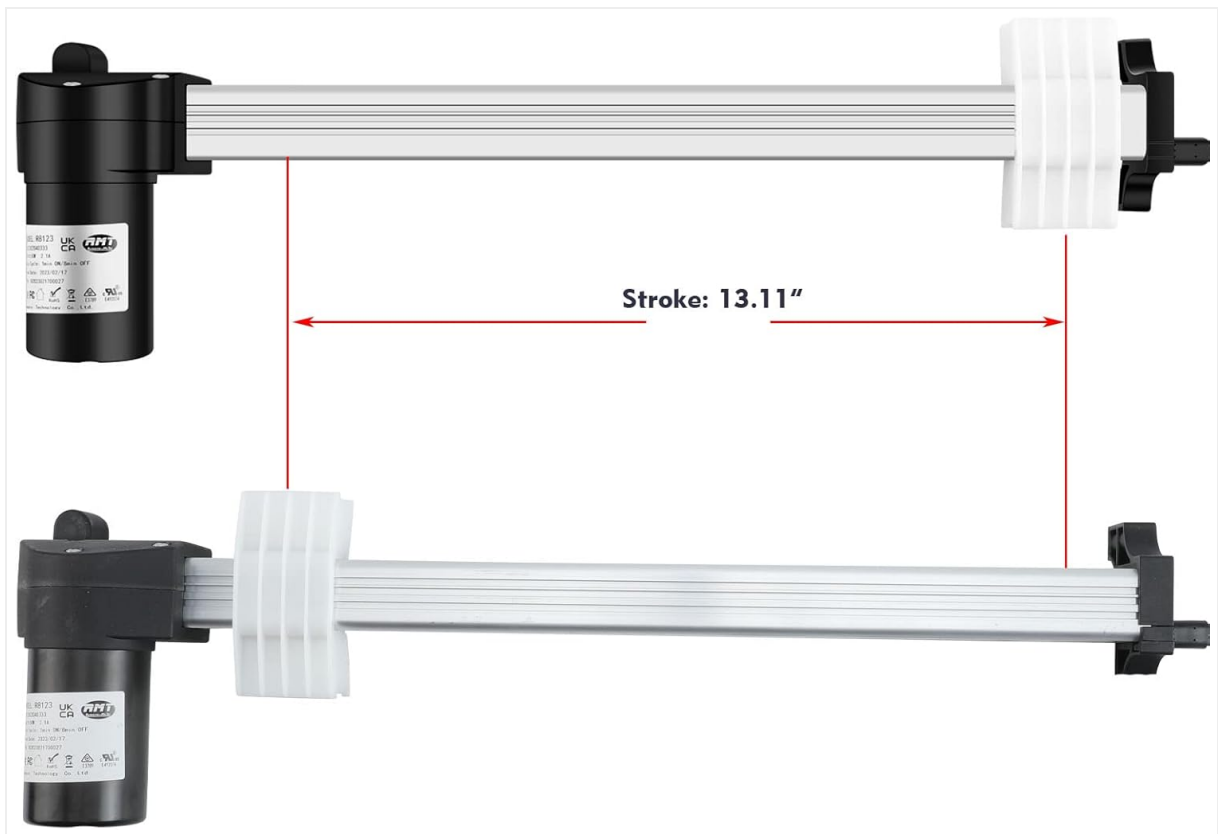


Figure 3: The linear actuator shown with an overlay indicating its 13.11-inch stroke length, crucial for compatibility.



Figure 4: Detail of the actuator's connection cables, including the 2-pin flat round power transformer connection and the 5-pin hand control plug connection.

4. SPECIFICATIONS

Feature	Specification
Model Number	R8123 (R812302040333)
Max Stroke	333mm / 13.11 inches
Minimum Install Dimension	40mm / 1.57 inches

Power Transformer Connection	2 Pin Flat Round
Hand Control Plug Connection	5 Pin
Speed	48mm/s
Max. Load	1000N
Certifications	UL, EMC, CP65 Certified
Item Weight	3.85 pounds
Package Dimensions	23 x 7 x 4 inches

5. SETUP AND INSTALLATION

Before beginning installation, ensure you have identified the correct replacement motor by verifying the model number (R8123 or R812302040333) and checking the connection types (2-pin flat round for power, 5-pin for hand control) against your existing unit. It is also crucial to confirm the stroke length matches your current actuator.

- 1. Disconnect Power:** Locate the power supply for your recliner or lift chair and unplug it from the wall outlet. This is a critical safety step.
- 2. Access Existing Motor:** Carefully tilt the chair or remove any fabric coverings to gain access to the existing linear actuator.
- 3. Disconnect Old Motor:** Disconnect the power cable and the hand control cable from the old motor. Note their positions for re-connection.
- 4. Remove Old Motor:** Unbolt or unclip the old actuator from its mounting points on the chair frame. Keep any mounting hardware.
- 5. Install New Motor:** Position the new MineCtrl R8123 actuator in the same location as the old one. Secure it using the appropriate mounting hardware. Ensure it is firmly attached and aligned correctly.
- 6. Connect Cables:** Connect the 2-pin flat round power transformer cable to the power supply and the 5-pin hand control cable to the chair's hand control unit. Ensure all connections are secure.
- 7. Restore Power:** Plug the power supply back into the wall outlet.
- 8. Test Operation:** Carefully test the recliner's functions using the hand control. Ensure the actuator extends and retracts smoothly and fully.

If you encounter any issues during installation, refer to the troubleshooting section or contact customer support.

6. OPERATING INSTRUCTIONS

Once the MineCtrl RMT Linear Actuator R8123 is correctly installed, operating your power recliner or lift chair is straightforward using the existing hand control unit.

- **Recline/Extend:** Press and hold the appropriate button on your hand control to extend the footrest and recline the backrest. Release the button when the desired position is reached.
- **Return to Upright:** Press and hold the other button on your hand control to retract the footrest and return the backrest to the upright position. Release the button when the desired position is reached.
- **Lift Function (for Lift Chairs):** If your chair has a lift function, press and hold the designated button to gently raise the chair to assist with standing.

Always operate the chair smoothly and avoid sudden movements. Do not force the mechanism if it encounters an obstruction.

7. MAINTENANCE

Regular maintenance helps ensure the longevity and smooth operation of your MineCtrl RMT Linear Actuator R8123.

- **Cleaning:** Wipe the exterior of the motor and shaft with a clean, dry cloth. Avoid using abrasive cleaners or solvents. As per product care instructions, the unit is designed to be wiped clean.
- **Inspection:** Periodically inspect the actuator, cables, and connections for any signs of wear, damage, or loose fittings. Ensure all mounting bolts are secure.
- **Obstruction Check:** Ensure there are no obstructions around the moving parts of the actuator or the chair mechanism that could impede its movement.
- **Cable Management:** Keep cables tidy and away from moving parts to prevent pinching or damage.

8. TROUBLESHOOTING

If your recliner or lift chair is not operating correctly after installing the MineCtrl RMT Linear Actuator R8123, consider the following troubleshooting steps:

- **Motor Not Responding:**
 - Check if the power supply is securely plugged into a working wall outlet.
 - Verify that the 2-pin flat round power transformer connection to the motor is secure.
 - Ensure the 5-pin hand control plug connection is fully inserted and secure.
 - Test the hand control unit itself if possible (e.g., by connecting it to another working chair or testing its continuity if you have the tools).
- **Incomplete Movement or Stuttering:**
 - Check for any physical obstructions preventing the chair mechanism or actuator from moving freely.
 - Ensure the actuator is correctly mounted and not binding.
 - Verify that the stroke length of the installed actuator matches the original unit.
- **Unusual Noises:**
 - Inspect for loose components or foreign objects near the motor or shaft.
 - Ensure the motor is securely fastened to the chair frame.

If these steps do not resolve the issue, it may indicate a fault with the power supply, hand control, or the actuator itself. Contact customer support for further assistance.

9. WARRANTY AND CUSTOMER SUPPORT

For information regarding the warranty of your MineCtrl RMT Linear Actuator R8123, please refer to the product packaging or contact the seller directly. MineCtrl is committed to providing quality replacement parts and customer satisfaction.

If you require technical assistance, have questions about installation, or need to report a product issue, please contact MineCtrl customer support through the retailer where the product was purchased or visit the official MineCtrl store online. You can find more information and contact details at the [MineCtrl Store](#).

