

Manuals+

[Q & A](#) | [Deep Search](#) | [Upload](#)

manuals.plus /

› [ODK](#) /

› [ODK 66-inch L-Shaped Desk with Monitor Stand and Storage Instruction Manual](#)

ODK B01011140USAN0209A2FXU03

ODK 66-inch L-Shaped Desk Instruction Manual

Model: B01011140USAN0209A2FXU03

1. PRODUCT OVERVIEW

The ODK L-Shaped Desk is designed to optimize workspace utilization, fitting efficiently into corners and smaller areas. It features a modern L-shaped design, providing ample surface area for computers, laptops, keyboards, books, and other office equipment. Key components include a monitor stand, integrated storage shelves, and file drawers.



This image displays the ODK L-Shaped Desk fully assembled in a typical home office environment, showcasing its monitor stand, integrated storage shelves, and file drawers. The desk is configured for a right-hand corner.

2. SETUP AND ASSEMBLY

Assembly of the ODK L-Shaped Desk is designed to be straightforward. A detailed instruction manual with clear steps is included in the packaging. All necessary assembly tools are provided.

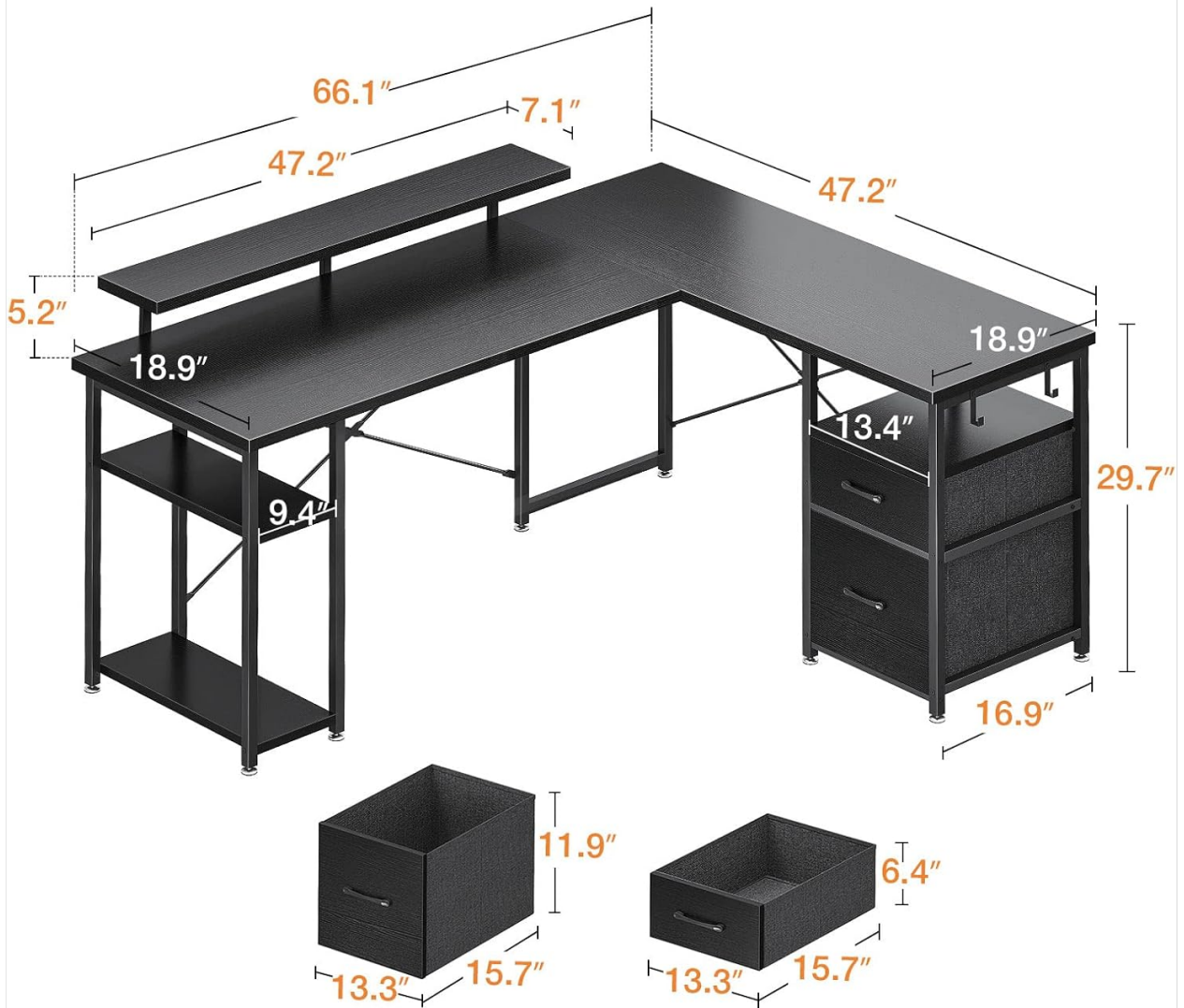
2.1 Product Dimensions

Before assembly, review the product dimensions to ensure the desk fits your intended space. The overall dimensions are approximately 66 inches (W) x 18.9 inches (D) x 29.7 inches (H).



Product Dimensions

Reversible L Shaped Desk



This diagram provides precise measurements for all components of the ODK L-Shaped Desk, including the main desk surfaces, monitor stand, and file drawers. Refer to these dimensions during assembly and for space planning.

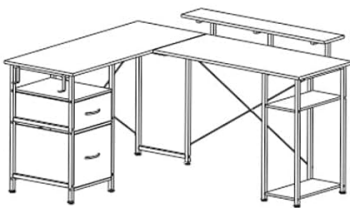
2.2 Reversible Configuration

The L-shaped design is reversible, allowing you to configure the desk for either a left-hand or right-hand corner setup. Follow the instructions carefully to achieve your preferred orientation.



Reversible Corner Desk

| Install as your preference



Left Corner



Right Corner

The ODK L-Shaped Desk can be assembled in either a left-hand or right-hand corner configuration. This image shows both options, demonstrating how the desk can be adapted to your preferred workspace layout.

3. OPERATING AND USAGE

3.1 Monitor Stand

The extra-long monitor stand is designed to accommodate multiple monitors and elevate your screens to an ergonomic viewing position. This helps in maintaining proper posture and reducing neck strain.



Long Monitor Stand

| Ergonomic Monitor Stand



Saving desktop space and keeping a good posture



Ours



Others

The integrated monitor stand elevates your screen to an ergonomic viewing height, helping to maintain proper posture and reduce neck strain during extended use. The image highlights the recommended eye level for monitor placement.

3.2 Storage Solutions

The desk includes various storage options:

- **CPU Stand and Open Shelf:** Located on one side, this area is suitable for storing your computer tower, notebooks, and other office supplies.
- **File Drawers:** On the opposite side, two tiers of file drawers are provided. One drawer is suitable for private items, while the other is designed to hold various sizes of hanging files, including letter, A4, and legal documents.



Multifunctional File Drawer

| Install as your preference



The desk includes two file drawers designed to accommodate both letter-sized and A4-sized hanging files, providing organized storage for documents. The top drawer also offers space for smaller office supplies.

4. MAINTENANCE

The desk is constructed from Medium Density board, which is waterproof and anti-scratch. To clean the desk surface, wipe it with a damp cloth. Avoid using harsh chemicals or abrasive cleaners that could damage the finish.

5. TROUBLESHOOTING

5.1 Desk Wobbling

If the desk appears unstable or wobbles, adjust the leg pads located at the bottom of the desk legs. Rotate the pads clockwise or counter-clockwise to level the desk and ensure stability on uneven floor surfaces.

Adjustable Delicate Foot Pads

| No wobble worries, No floor scratches



The desk is equipped with adjustable foot pads. Rotate these pads to fine-tune the desk's height and ensure stability on uneven floor surfaces, preventing wobbling.

6. SPECIFICATIONS

Feature	Detail
Brand	ODK
Model Number	B01011140USAN0209A2FXU03
Shape	L-Shape
Desk Design	Computer Desk
Product Dimensions (D x W x H)	18.9"D x 66"W x 29.7"H
Color	Black
Style	Modern

Base Material	Wood (Metal frame for legs)
Top Material Type	Engineered Wood
Special Feature	Reversible, Monitor Stand, File Cabinet
Number of Drawers	2
Number of Shelves	1 (open shelf)
Item Weight	32.66 Kilograms
Maximum Weight Recommendation	17.5 Kilograms (for desk surface)
Required Assembly	Yes
Includes All Assembly Tools	Yes

7. WARRANTY AND SUPPORT

ODK provides a 30-day free return or exchange service for this product. For any questions or assistance, please contact our customer service team. A 24-hour online professional customer service team is available to help resolve any issues you may encounter.

For further support, please refer to the contact information provided with your purchase documentation or visit the official ODK store on Amazon: [ODK Store](#)