



Manuals.plus /

- › **TEELODANE** /
- › TEELODANE A600 Wireless Crane Remote Control Instruction Manual

TEELODANE A600

TEELODANE A600 Wireless Crane Remote Control Instruction Manual

Model: A600 | Brand: TEELODANE

1. INTRODUCTION

This manual provides detailed instructions for the installation, operation, and maintenance of the TEELODANE A600 Wireless Crane Remote Control system. This system is designed for industrial applications such as electric chain hoists and truck tailgate switches, offering reliable and efficient remote operation. Please read this manual thoroughly before using the product to ensure safe and correct operation.

2. PRODUCT OVERVIEW AND FEATURES

The TEELODANE A600 is a robust and user-friendly wireless remote control system. It consists of a compact transmitter and a durable receiver, engineered for demanding industrial environments.



Figure 2.1: TEELODANE A600 Wireless Remote Control Transmitter and Receiver Kit. This image displays the TEELODANE A600 wireless remote control kit, including the blue handheld transmitter with six directional buttons, a red STOP button, and a green START button, alongside the black receiver unit and its packaging box.

Key Features:

- **Portable and Compact:** The transmitter measures 117*60*21 mm, and the receiver is designed to be smaller than comparable units. Each transmitter includes a lanyard for convenience.
- **Robust and Durable Construction:** The shell is made from PA6 (30%GF) material, providing an IP65 rating for protection against water and dust. It is also designed to be anti-rolling and resistant to impacts. The system holds FCC and CE certifications.
- **User-Friendly Operation:** The system includes detailed instructions and a printed manual. The transmitter features LED lights to clearly indicate its operational status.
- **Quick and Accurate Response:** The remote control offers sensitive and precise response times, as fast as 0.01 seconds, ensuring immediate command execution.
- **High-Quality Antenna:** Provides a reliable remote control distance of up to 100 meters in open areas.

Wireless industrial remote control

1. High-end quality

2. Smart wireless pairing

3. Wireless narrow frequency design



Figure 2.2: TEELODANE A600 Wireless Industrial Remote Control Features. This image highlights key features of the TEELODANE A600 wireless industrial remote control, showcasing the transmitter and receiver with text indicating high quality, smart wireless pairing, and narrow frequency design.

Reinforced nylon shell

1. Oil-proof and waterproof
2. High and low temperature resistance
3. Strong and anti-fall



Figure 2.3: TEELODANE A600 Remote Control Reinforced Nylon Shell. A close-up of the TEELODANE A600 remote control, emphasizing its reinforced nylon shell construction, which provides oil-proof, waterproof, high and low temperature resistance, and anti-fall durability.



Figure 2.4: TEELODANE A600 Remote Control Ergonomic Design. This image illustrates the ergonomic design of the TEELODANE A600 remote control, showing it comfortably held in a hand, suitable for industrial environments.

3. WHAT'S IN THE BOX

- 1 x Wireless Transmitter (Handheld Remote)
- 1 x Receiver Unit
- 1 x Lanyard for Transmitter
- 1 x Instruction Manual (this document)



Figure 3.1: TEELODANE A600 Wireless Remote Control Components. This image displays the main components of the TEELODANE A600 wireless remote control system: the handheld transmitter, the receiver box, and the pre-wired cable harness for connection.

4. SETUP

4.1 Wiring the Receiver

The receiver unit requires careful wiring to your equipment. Refer to the wiring diagram below and the schematic printed on the receiver unit itself. It is recommended to use a multimeter to identify individual wires if they are not clearly labeled beyond power leads.

WIRING DIAGRAM

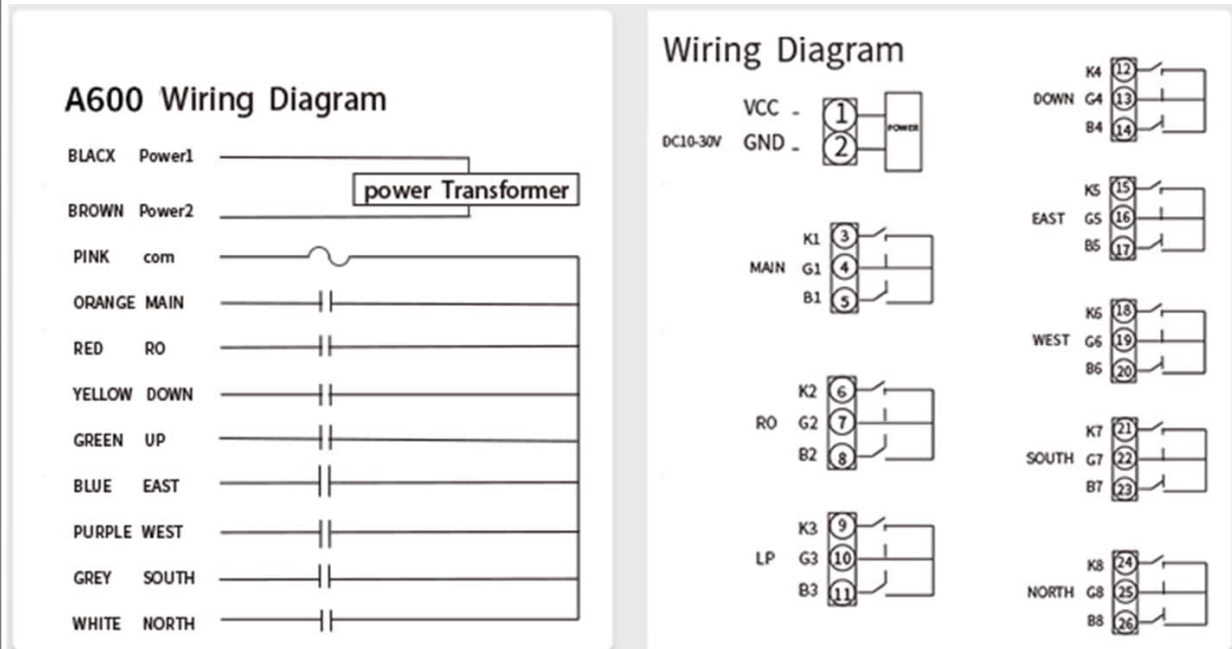


Figure 4.1: TEELODANE A600 Wireless Remote Control Wiring Diagram. Detailed wiring diagram for the TEELODANE A600 wireless remote control, showing connections for power (Power1, Power2), common (com), and directional controls (MAIN, DOWN, UP, EAST, WEST, SOUTH, NORTH) for both AC/DC 10-30V and DC10-30V configurations.

4.2 Pairing the Transmitter and Receiver

The transmitter and receiver are typically pre-paired. If re-pairing is necessary or if you are setting up a new unit, follow these steps:

1. Ensure the receiver unit is powered on.
2. Locate the small pairing button inside the receiver unit. Press and hold this button for approximately 3-5 seconds until an indicator light on the receiver begins to flash.
3. While the receiver light is flashing, press the 'START' button on the handheld transmitter, followed by the 'STOP' button.
4. Observe the indicator lights on both the transmitter and receiver. Successful pairing is indicated when the lights stop flashing and remain solid, or when the system responds to commands.

Your browser does not support the video tag.

Video 4.2.1: TEELODANE A600 Automatic Coding Demonstration. This video demonstrates the automatic coding and pairing process for the TEELODANE A600 wireless remote control system, showing how to synchronize the transmitter with the receiver

unit.

5. OPERATING INSTRUCTIONS

Once the system is properly wired and paired, you can begin operation.

1. **Power On:** Ensure the receiver unit is powered. The transmitter is typically powered by internal batteries.
2. **Start Operation:** Press the **START** button on the transmitter to activate the system. The transmitter's LED lights will indicate it is active.
3. **Directional Control:** Use the directional arrow buttons (Up, Down, Left, Right, Diagonal Up/Down) to control the movement of your equipment (e.g., hoist, tailgate).
4. **Stop Operation:** Press the **STOP** button on the transmitter to immediately halt all operations.

Your browser does not support the video tag.

Video 5.1: TEELODANE A600 Remote Control for Crane/Tail Lift. This video illustrates the operational use of the TEELODANE A600 remote control for a crane or truck tail lift application, demonstrating the responsiveness of the controls.

6. MAINTENANCE

6.1 General Care

- Keep the transmitter and receiver clean and free from excessive dirt, dust, and moisture.
- Avoid dropping the unit or subjecting it to severe impacts, despite its durable design.
- Store the unit in a dry, cool place when not in use.

6.2 Battery Replacement (Transmitter)

The transmitter is powered by internal batteries. When the indicator lights dim or the response becomes sluggish, it's time to replace the batteries.

1. Using a small screwdriver, carefully remove the screws on the back panel of the transmitter.
2. Gently open the casing to access the battery compartment.
3. Replace the old batteries with new ones of the correct type and polarity.
4. Carefully reassemble the casing, ensuring the seal is properly seated for water and dust resistance, and tighten the screws.



Figure 6.2.1: TEELODANE A600 Remote Control with Belt Clip. The rear view of the TEELODANE A600 remote control, highlighting its integrated belt clip for convenient carrying and accessibility during operation.

Your browser does not support the video tag.

Video 6.2.2: TEELODANE A600 Series Product and Factory Display. This video provides an overview of the TEELODANE A600 series product, including a glimpse into the manufacturing process and internal components, highlighting the quality and design.

7. TROUBLESHOOTING

If you encounter issues with your TEELODANE A600 system, refer to the following common problems and solutions:

Problem	Possible Cause	Solution
Remote not responding	Low or dead transmitter batteries Receiver not powered Out of range Interference Not paired correctly	Replace transmitter batteries Check power supply to receiver Move closer to the receiver Relocate the unit or identify source of interference Perform pairing procedure again (Section 4.2)
Intermittent operation	Weak signal Loose wiring connection Environmental factors	Ensure clear line of sight, check battery level Inspect all wiring connections at the receiver Avoid operating near large metal structures or strong electromagnetic fields
Incorrect function response	Incorrect wiring Transmitter button malfunction	Verify wiring against the diagram (Figure 4.1) Test transmitter buttons; if faulty, contact support

If the problem persists after attempting these solutions, please contact TEELODANE customer support for further assistance.

8. SPECIFICATIONS

Feature	Detail
Product Dimensions	9.4 x 7.9 x 3.1 inches
Item Weight	1.9 pounds
Item Model Number	A600
Brand	TEELODANE
Special Feature	Ergonomic
Color	Blue
Max Number of Supported Devices	1
Compatible Devices	Electric Chain Hoist
Power Input (Receiver)	AC/DC 10-30V
Remote Control Distance	Up to 100 meters (open area)
Protection Rating	IP65

9. SAFETY INFORMATION

- **Read All Instructions:** Before installation or operation, thoroughly read and understand this manual.
- **Qualified Personnel:** Installation and maintenance should only be performed by qualified personnel.
- **Power Disconnection:** Always disconnect power to the equipment before performing any installation, wiring, or maintenance.
- **Environmental Conditions:** Do not expose the unit to extreme temperatures, corrosive substances, or excessive vibration beyond its specified ratings.

- **Emergency Stop:** Familiarize yourself with the location and function of the emergency STOP button on the transmitter.
- **Regular Checks:** Periodically inspect the system for any signs of damage, wear, or loose connections.
- **Unauthorized Modifications:** Do not attempt to modify or disassemble the unit beyond battery replacement. This may void the warranty and create safety hazards.

10. WARRANTY AND SUPPORT

For warranty information, technical support, or service inquiries, please contact your retailer or the manufacturer directly. Keep your purchase receipt as proof of purchase. Protection plans may be available for extended coverage.