



[Manuals.plus](#) /

› [MONDAWE](#) /

› MONDAWE 9-Inch Wall Mounted Shower Faucet Set with Tub Spout (Matte Black) - Instruction Manual

## MONDAWE MD-A3816-MB3

# MONDAWE 9-Inch Wall Mounted Shower Faucet Set with Tub Spout

Model: MD-A3816-MB3

[Introduction](#)   [Safety](#)   [Contents](#)   [Specifications](#)   [Installation](#)   [Operation](#)   [Maintenance](#)   [Troubleshooting](#)   [Warranty](#)

## 1. INTRODUCTION

This manual provides detailed instructions for the installation, operation, and maintenance of your MONDAWE 9-Inch Wall Mounted Shower Faucet Set with Tub Spout. Please read this manual thoroughly before installation and keep it for future reference. Proper installation and care will ensure optimal performance and longevity of your shower system.



*Overview of the MONDAWE 9-Inch Wall Mounted Shower Faucet Set with Tub Spout.*

## 2. SAFETY INFORMATION

**WARNING: Failure to follow these instructions could result in personal injury or property damage.**

- Always turn off the main water supply before beginning any plumbing work.
- Wear appropriate personal protective equipment, such as safety glasses and gloves.
- If you are unsure about any part of the installation process, consult a qualified plumber.
- Ensure all connections are secure and watertight to prevent leaks.
- The pressure balance valve is designed to protect against sudden changes in water temperature. Do not tamper with this component.

## 3. PACKAGE CONTENTS

Verify that all components are present and undamaged before beginning installation. If any parts are missing or damaged, please contact MONDAWE customer service.

# Package List



*All components included in the MONDAWE 9-Inch Wall Mounted Shower Faucet Set with Tub Spout.*

- Rainfall Shower Head
- Shower Arm
- Handheld Shower Spray
- Shower Hose
- Slide Bar with Holder
- Tub Spout
- Pressure Balance Valve (with trim and handle)
- Mounting Hardware (screws, anchors)
- Installation Manual / Service Card

## 4. SPECIFICATIONS

Feature	Detail
Brand	MONDAWE

Model Number	MD-A3816-MB3
Color	Matte Black
Material	Acrylonitrile Butadiene Styrene (ABS) for certain components, Brass for handle and valve
Finish Type	Matte
Number of Handles	1
Mounting Type	Wall Mount
Head Size	9 inches (Rainfall Shower Head)
Included Components	Valve, Shower Head, Handheld Spray, Tub Spout, Slide Bar
Connection Standard	American Standard 1/2 inch NPT thread

## 5. INSTALLATION

### 5.1. Tools and Materials Required

- Plumber's Putty
- Wrench
- Slotted Screwdriver
- Electric Drill
- Measuring Tape
- Pencil
- Caulking Gun with Silicone Sealant

### 5.2. Installation Steps

Refer to the following video for a general installation guide. Note that the specific model shown may differ, but the connection types and installation steps are similar. Always refer to the actual product and the installation instructions included in your package for precise details.

*Official MONDAWE installation video for a similar shower panel. This video demonstrates the general process for installing the valve and trim.*

1. **Prepare the Wall:** Ensure the rough-in valve is securely installed within the wall according to standard plumbing practices. The finished wall should be ready for trim installation.
2. **Outline the Panel:** Place the decorative panel over the installed valve. Use a pencil to draw an outline of the panel along its edge on the wall tile. This helps in precise cutting if needed.
3. **Remove Existing Trim (if applicable):** If replacing an existing fixture, carefully remove the old handle, diverter knob, and panel.
4. **Cut for Panel Recess:** Use a suitable cutter to carefully cut along the marked lines on the wall tile. This allows the panel to sit flush or be slightly recessed into the wall. Exercise caution to avoid damaging internal pipes or the valve body.
5. **Install Panel and Knobs:** Position the new decorative panel. Install the water distribution knob (diverter) and the main handle onto the valve stem. Ensure they are properly aligned and secured.
6. **Seal Gaps:** After the panel is embedded, apply silicone sealant or glass glue around the edges of the panel where it meets the wall to create a watertight seal.
7. **Install Shower Arm and Rainfall Head:** Thread the shower arm into the wall connection. Apply plumber's tape to the threads for a secure seal. Attach the rainfall shower head to the shower arm. Ensure the adjustable angle connector is tightened for desired positioning.

The rainfall showerhead can offer consistent powerful water.



Rainfall Experience



Cover Your Whole Body



Seems Like Spa at Home



MONDAWE



Adjustable Angle Connector



Easy Clean Silicone Nozzle



16-Inch Shower Arm

*The rainfall shower head features an adjustable angle connector and easy-clean silicone nozzles for consistent water flow.*

8. **Install Tub Spout:** Secure the tub spout to its wall connection. Ensure it is level and tightly sealed to prevent leaks.


# Bathtub Spout



*The bathtub spout provides high flow and is designed to be splashproof.*

- 9. Install Slide Bar and Handheld Shower:** Mount the slide bar to the wall using the provided hardware. Attach the handheld shower hose to the valve outlet and the handheld shower spray. Place the handheld shower in its adjustable holder on the slide bar.

360° Rotation  
15° Tilt



## Height-Adjustable Slide Bar

Equipped with a slide bar to accommodate both kids and adults.



Press

Removable

*The height-adjustable slide bar accommodates users of different heights.*

10. **Test for Leaks:** Turn on the main water supply and check all connections for leaks. Operate the shower system to ensure all functions work correctly.

### 5.3. Dimensions

### 3 Spray Handheld Shower for Bathing



Massage



Rain



Rain + Massage

*Detailed dimensions of the shower system components for accurate installation planning.*

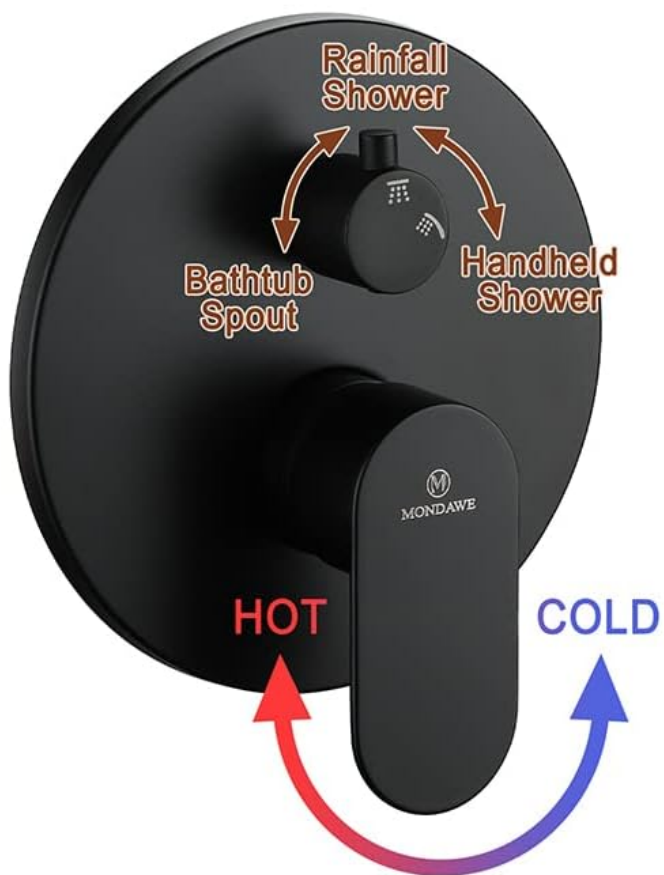
#### 6. OPERATION

Your MONDAWE shower system is designed for ease of use with a single handle for temperature and flow control, and a diverter knob for selecting spray functions.

# Easy To Operate Retro Panel



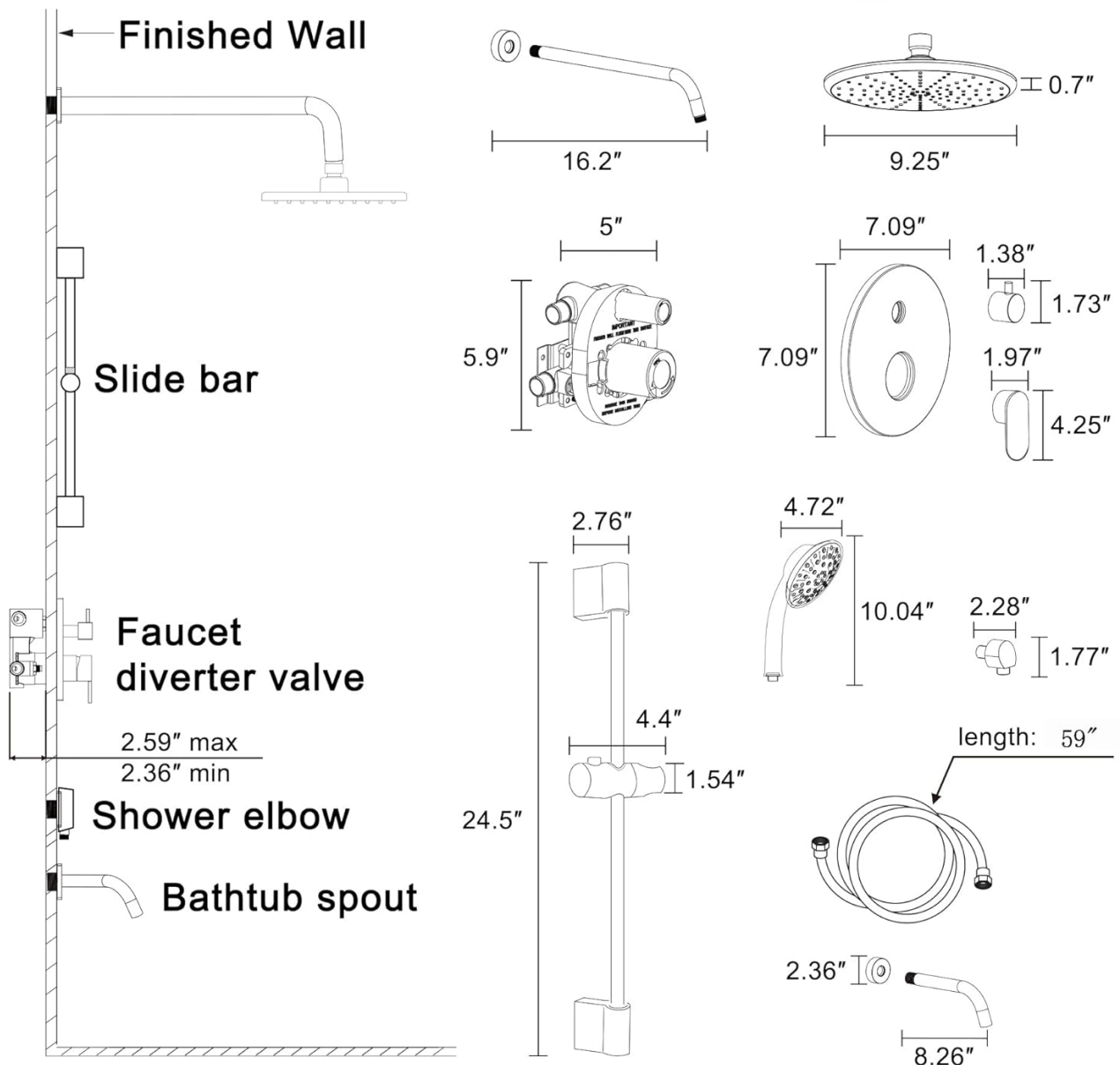
**One Mode at a Time:**  
rainfall shower, bathtub spout and  
handheld shower conversion.



**Easily Adjust water temperature and flow with a single handle.**

*The control panel allows easy adjustment of water temperature, flow, and selection of shower functions.*

- **Water Flow and Temperature:** The main handle controls both water flow and temperature. Lift the handle to turn on the water and adjust the flow. Rotate the handle left for hot water and right for cold water.
- **Function Selection:** The diverter knob allows you to switch between the rainfall shower head, handheld shower, and bathtub spout. Only one function can be active at a time. Rotate the knob to select your desired water outlet.
- **Handheld Shower Settings:** The handheld shower features three spray patterns: rainfall, massage, and mixed mode. Adjust the spray by rotating the shower head face or a selector on the head itself.



*The handheld shower offers three distinct spray patterns for a personalized experience.*

## 7. MAINTENANCE

Regular cleaning and maintenance will help preserve the finish and functionality of your MONDAWE shower system.

- **Cleaning the Finish:** Clean the matte black finish with a soft, damp cloth and mild soap. Avoid abrasive cleaners, harsh chemicals, or scouring pads, as these can damage the finish.
- **Cleaning Silicone Nozzles:** The rainfall shower head and handheld shower feature easy-clean silicone nozzles. To remove mineral buildup, gently rub the nozzles with your finger or a soft brush.
- **Check for Leaks:** Periodically inspect all connections for any signs of leaks. Tighten connections as needed.
- **Valve Maintenance:** The pressure balance cartridge is designed for long-term reliability. If you experience issues with temperature regulation, consult a professional plumber.

## 8. TROUBLESHOOTING

If you encounter any issues with your shower system, refer to the following common problems and solutions:

<b>Problem</b>	<b>Possible Cause</b>	<b>Solution</b>
Low Water Pressure	Clogged shower head nozzles; partially closed shut-off valves; low household water pressure.	Clean silicone nozzles by rubbing them. Ensure shut-off valves are fully open. Check household water pressure.
Water Leaks from Connections	Loose connections; worn out O-rings or seals; insufficient plumber's tape.	Turn off water supply. Tighten connections. Replace O-rings/seals if damaged. Reapply plumber's tape.
Temperature Fluctuations	Pressure balance cartridge issue; insufficient hot water supply.	Ensure hot water heater is functioning correctly. If problem persists, the pressure balance cartridge may need inspection by a professional.
Diverter Not Switching Functions	Debris in diverter mechanism; worn diverter cartridge.	Flush the system. If the issue continues, the diverter cartridge may need to be replaced by a professional.

## 9. WARRANTY AND SUPPORT

MONDAWE products are manufactured to high-quality standards. While specific warranty details are not provided in this document, MONDAWE typically offers a limited warranty against manufacturing defects. Please retain your proof of purchase for warranty claims. For technical assistance, missing parts, or warranty inquiries, please contact MONDAWE customer service through the retailer where you purchased the product or visit the official MONDAWE website for support contact information. We are committed to providing a satisfactory experience with your MONDAWE shower system.