

[Manuals.plus](#) /

› [Vanity Art](#) /

› Vanity Art VA6522-S-MB 55-inch Freestanding Bathtub Instruction Manual

Vanity Art VA6522-S-MB

Vanity Art VA6522-S-MB 55-inch Freestanding Bathtub Instruction Manual

Model: VA6522-S-MB | Brand: Vanity Art

1. INTRODUCTION

This manual provides detailed instructions for the installation, operation, and maintenance of your Vanity Art VA6522-S-MB 55-inch Freestanding Bathtub. Please read all instructions carefully before beginning installation and retain this manual for future reference. Proper installation and care will ensure long-lasting enjoyment of your new bathtub.

Your browser does not support the video tag.

Video: Overview of Vanity Art Freestanding Bathtub features. This video highlights the design and key attributes of the bathtub.

2. SAFETY INFORMATION

Please observe the following safety precautions during installation and use:

- Always wear appropriate personal protective equipment (PPE) such as gloves and safety glasses during installation.
- Ensure the installation area is level and structurally sound to support the weight of the bathtub when filled with water and a person.
- Do not use abrasive cleaners or harsh chemicals on the bathtub surface, as this may damage the acrylic finish.
- Ensure all plumbing connections are secure and watertight to prevent leaks.
- Children should always be supervised when near the bathtub.

3. PACKAGE CONTENTS

Verify that all components are present and undamaged before proceeding with installation. If any parts are

missing or damaged, please contact Vanity Art customer support.

- Freestanding Bathtub
- Pop-up Drain Assembly
- Slotted Overflow Assembly
- Adjustable Leveling Feet (pre-installed or separate)
- User Manual (this document)
- Mounting Hardware (as required for drain/overflow)

4. SETUP AND INSTALLATION

Professional installation is recommended. Ensure you have all necessary tools, including a level, adjustable wrench, and silicone sealant.

4.1 Unpacking and Inspection

1. Carefully open the packaging. Do not use sharp objects that could scratch the bathtub surface.
2. Remove the bathtub and all accessories from the box.
3. Inspect the bathtub for any signs of damage during shipping. Report any damage immediately to your retailer.



Image: The Vanity Art freestanding bathtub, ready for installation in a bathroom.

4.2 Drain and Overflow Assembly

The bathtub features a UPC certified slotted overflow and pop-up drain for efficient water management.

1. Apply a bead of silicone sealant around the top edge of the pop-up drain assembly.
2. Insert the drain assembly into the drain hole from the inside of the tub.
3. From underneath the tub, secure the drain assembly with the provided washer and nut, tightening with an adjustable wrench. Do not overtighten.
4. Connect the flexible overflow pipe to the overflow opening and the main drain assembly. Ensure all connections are sealed properly to prevent leaks.



Image: Detail of the slotted overflow and pop-up drain mechanism inside the bathtub.

4.3 Leveling and Sealing

1. Position the bathtub in its desired location.
2. Use a level to check if the tub is perfectly horizontal. Adjust the leveling feet located at the bottom of the tub as needed.
3. Once level, apply a continuous bead of silicone sealant around the base of the bathtub where it meets the floor. This helps to secure the tub and prevent water from seeping underneath.

Your browser does not support the video tag.

Video: Detailed installation guide for the Vanity Art VA6522-S-MB bathtub. This video demonstrates the steps for setting up the drain, overflow, and leveling the tub.

5. OPERATING INSTRUCTIONS

Your Vanity Art freestanding bathtub is designed for a comfortable and relaxing bathing experience.

1. Ensure the pop-up drain is closed by pressing it down.
2. Fill the bathtub with water to your desired level. The slotted overflow will prevent overfilling.

3. After use, press the pop-up drain again to open it and allow the water to drain.



Image: The bathtub filled with water, illustrating its multi-layer construction for heat retention.

6. MAINTENANCE

To keep your acrylic bathtub in pristine condition, follow these maintenance guidelines:

- **Cleaning:** Clean the bathtub regularly with a soft cloth and a non-abrasive, mild liquid cleaner. Avoid using harsh chemicals, abrasive pads, or scouring powders, as these can scratch or dull the acrylic surface.
- **Stain Removal:** For stubborn stains, use a diluted solution of white vinegar and water, or a specialized acrylic cleaner. Rinse thoroughly after cleaning.
- **Preventing Scratches:** Do not place sharp or heavy objects directly on the tub surface. The acrylic material is designed to be scratch-resistant, but excessive force can still cause damage.
- **Drain Care:** Periodically remove and clean the pop-up drain to prevent hair and debris buildup, ensuring optimal drainage.



Easy to Clean

Easy to clean, and resistant to a wide range of household chemicals and cosmetic products



Image: The bathtub highlighting its easy-to-clean surface properties.



Acrylic Construction

Premium quality acrylic construction reinforced with fiberglass for strength and durability



Image: The bathtub emphasizing its premium acrylic construction reinforced with fiberglass for strength and durability.

7. TROUBLESHOOTING

If you encounter any issues with your bathtub, refer to the following common problems and solutions:

- **Slow Drainage:** Check the pop-up drain for hair or debris. Clean if necessary. Ensure the flexible drain pipe is not kinked or obstructed.
- **Leaks Around Drain/Overflow:** Tighten all connections on the drain and overflow assemblies. Ensure sufficient silicone sealant was applied during installation. If leaks persist, re-apply sealant.
- **Bathtub Not Level:** Adjust the leveling feet underneath the tub until it is stable and level.
- **Surface Scratches:** Minor scratches on acrylic can sometimes be buffed out with a specialized acrylic repair kit. For deeper scratches, professional repair may be required.

If problems persist after attempting these solutions, please contact Vanity Art customer support.

8. SPECIFICATIONS

Feature	Detail
Model Number	VA6522-S-MB
Brand	Vanity Art
Color	White/Matte Black
Material	Acrylic
Product Dimensions	55"L x 28"W x 29"H
Item Weight	92.4 Pounds
Installation Type	Freestanding
Capacity	76 Gallons
Shape	Oval
UPC	810025966577

■ 55.3" length X 28.3" width X 28.7" height

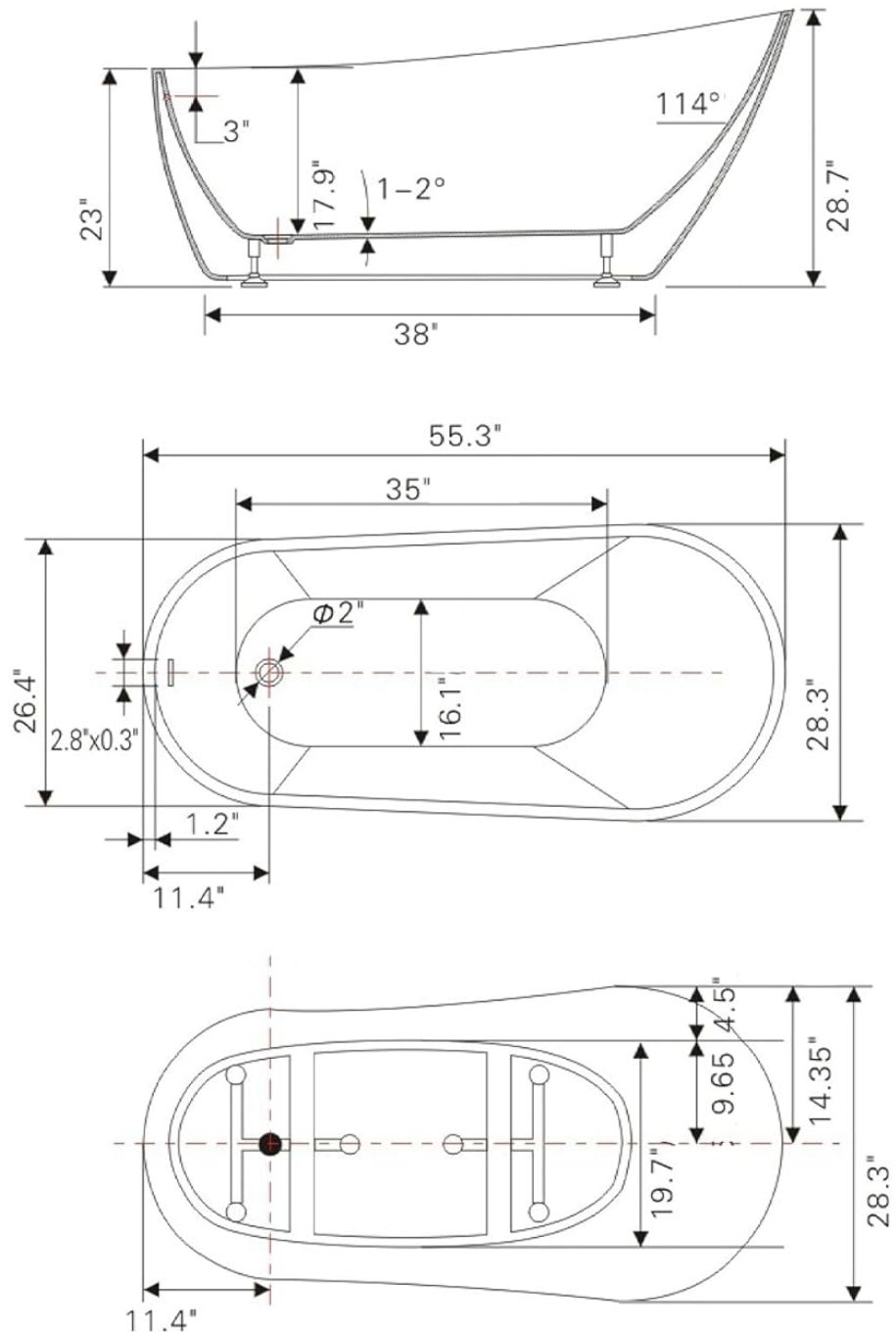


Image: Dimensional drawing of the bathtub, showing length, width, and height.

9. WARRANTY AND SUPPORT

Your Vanity Art VA6522-S-MB Freestanding Bathtub comes with a **1-Year Limited Warranty** against manufacturing defects. Please retain your proof of purchase for warranty claims.

For technical assistance, missing parts, or warranty inquiries, please contact Vanity Art customer support through their official website or the retailer where the product was purchased.

For more information, visit the official [Vanity Art Store](#).

© 2024 Vanity Art. All rights reserved.