

[Manuals.plus](#) /

- › [Coaster Fine Furniture](#) /
- › Coaster Home Furnishings Rubeus Console Table (Model 959541) Instruction Manual

Coaster Fine Furniture 959541

Coaster Home Furnishings Rubeus Console Table (Model 959541) Instruction Manual

Model: 959541

PRODUCT OVERVIEW

The Coaster Home Furnishings Rubeus Console Table, Model 959541, is a stylish and functional piece designed to enhance modern interiors. It features a clean rectangular silhouette with a warm white-washed finish, complemented by a sturdy metal frame for stability. Constructed from solid wood, this console table offers durability and long-lasting quality. It includes two drawers for concealed storage and an open bottom shelf for display or additional storage. Its contemporary design and subtle detailing make it suitable for entryways, hallways, or behind sofas, blending seamlessly with various home decor styles.



Image: Front view of the Coaster Home Furnishings Rubeus Console Table, showcasing its two-drawer design and open lower shelf.

SAFETY INFORMATION

Please read and understand all instructions before assembly and use. Failure to follow these instructions may result in injury or damage to the product. Keep all hardware and small parts out of reach of children. Assemble the unit on a soft, non-abrasive surface to prevent scratches. Do not stand or climb on the console table. Ensure all connections are securely tightened before use. Periodically check and re-tighten all fasteners as necessary. Do not exceed the maximum weight recommendation of 65 pounds for the tabletop.

PACKAGE CONTENTS

Verify that all components are present before beginning assembly. If any parts are missing or damaged, please contact customer support.

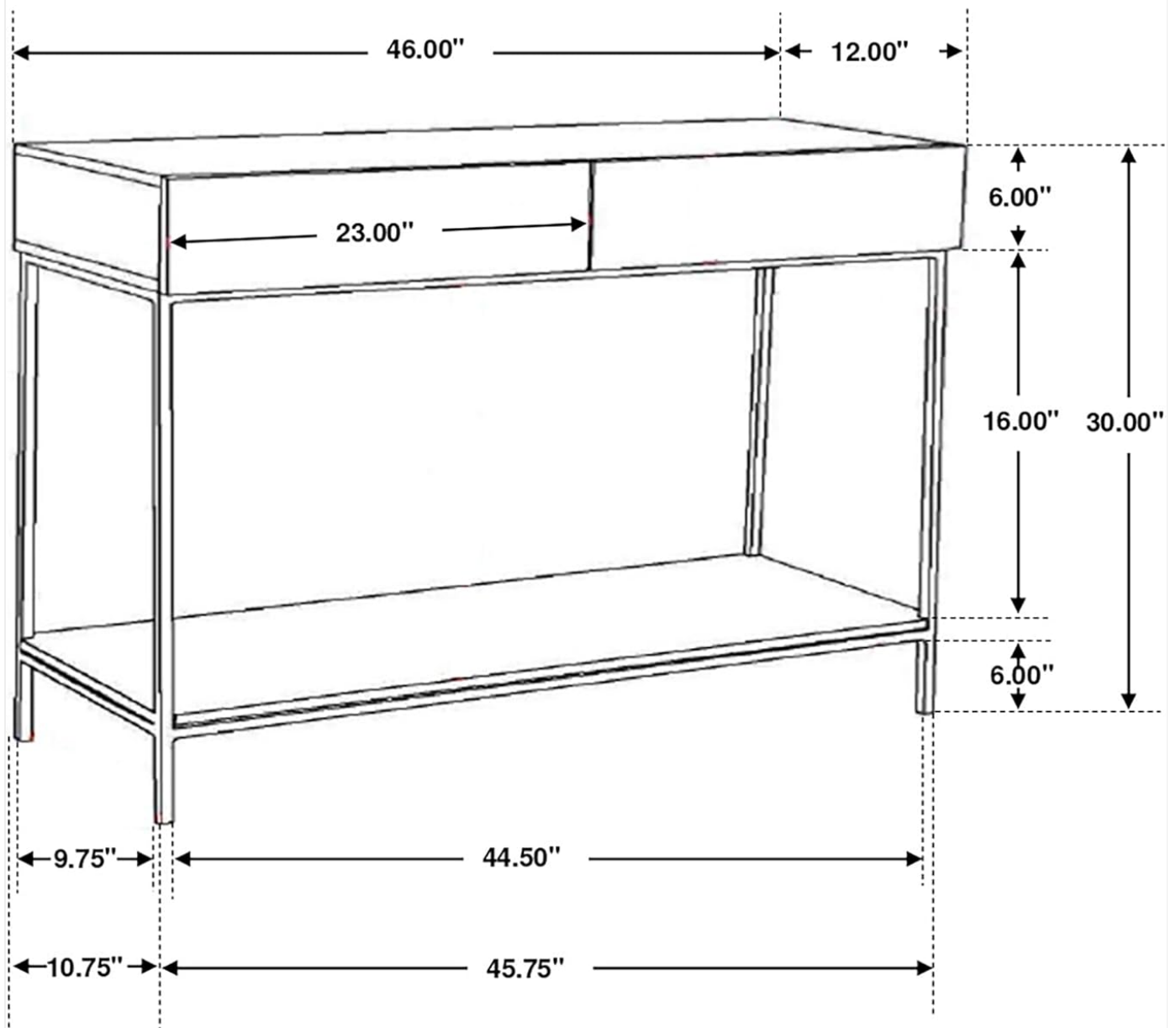
- Tabletop with integrated drawers
- Metal Frame Legs (Left and Right)
- Bottom Shelf
- Assembly Hardware (screws, bolts, Allen wrench)
- Instruction Manual

ASSEMBLY INSTRUCTIONS

Follow these steps carefully to assemble your Rubeus Console Table. It is recommended to have two people for assembly.

1. Unpack all components and lay them out on a clean, soft surface to prevent damage.
2. Attach the metal frame legs to the tabletop using the provided hardware. Ensure all screws are finger-tightened initially.
3. Slide the bottom shelf into the designated slots on the metal frame legs.
4. Secure the bottom shelf to the metal frame using the remaining hardware.
5. Once all components are in place, fully tighten all screws and bolts with the Allen wrench. Do not overtighten.
6. Carefully stand the console table upright.
7. Test the drawers to ensure they slide smoothly.

Inner Size of Drawer : 22"W X 11.50"D X 4.50"H X 0.50"T



Note : Dimension tolerance $\pm 5\%$

Image: Technical drawing illustrating the dimensions of the Rubeus Console Table, including overall width, depth, height, and drawer inner size.

Video: General instruction video for console table assembly, demonstrating common steps.

Video: Another general instruction video for assembling an entrance table, showing similar construction principles.

OPERATING INSTRUCTIONS

The Rubeus Console Table is designed for indoor residential use. Place it on a level surface to ensure stability. Utilize the two drawers for storing small items such as keys, mail, or personal accessories. The open bottom shelf is ideal for displaying decorative items, books, or storage baskets. Do not place excessively heavy objects on the tabletop or shelf to avoid damage or instability. The maximum weight recommendation for the tabletop is 65 pounds.



Image: The Rubeus Console Table with both drawers pulled open, illustrating the available storage space.

MAINTENANCE AND CARE

To maintain the appearance and longevity of your console table, follow these care guidelines:

- **Cleaning:** Wipe surfaces with a damp cloth. Avoid using harsh chemicals, abrasive cleaners, or polishes that may damage the finish.
- **Spills:** Blot spills immediately with a clean, dry cloth.
- **Heat and Moisture:** Protect the surface from direct heat and moisture by using coasters and placemats.
- **Sunlight:** Avoid prolonged exposure to direct sunlight to prevent fading or discoloration of the wood finish.
- **Inspection:** Periodically check all hardware connections and tighten if necessary to ensure structural integrity.

TROUBLESHOOTING

Problem	Possible Cause	Solution
Table is wobbly	Loose hardware; uneven floor	Ensure all bolts and screws are tightened. Move the table to a level surface or use furniture glides/shims.
Drawers stick or don't slide smoothly	Misalignment; debris in tracks; overloaded drawer	Check drawer runners for obstructions. Ensure the table is level. Do not overload drawers.
Scratches on surface	Sharp objects; abrasive cleaning	Use coasters or protective pads. Avoid dragging objects across the surface. Use only recommended cleaning methods.

SPECIFICATIONS

Feature	Detail
Brand	Coaster Fine Furniture
Model Name	Rubeus
Model Number	959541
Product Dimensions	12"D x 46"W x 30"H
Item Weight	43.3 Pounds
Maximum Weight Recommendation	65 Pounds
Frame Material	Wood, Metal
Color	White Washed
Table Design	Console Table
Style Name	Contemporary
Furniture Finish	White Washed
Special Features	Open Shelf, Two Storage Drawers
Required Assembly	Yes
Product Care Instructions	Clean using damp cloth. Do not use strong chemicals.

WARRANTY AND SUPPORT

This Coaster Home Furnishings Rubeus Console Table (Model 959541) comes with a **1-year limited manufacturer warranty**. This warranty covers defects in materials and workmanship under normal use. It does not cover damage resulting from misuse, accidents, unauthorized repairs, or normal wear and tear.

For warranty claims, missing parts, or technical assistance, please contact Coaster Fine Furniture customer support. Keep your purchase receipt and model number handy for faster service.

For more information, visit the official Coaster Fine Furniture website or refer to the contact details provided with your purchase.

