

vidaXL 347111

vidaXL King Size Bed Frame (Model 347111) - Instruction Manual

Fabric Upholstered Platform Bed Frame with Plywood Slats

1. INTRODUCTION

This manual provides detailed instructions for the assembly, operation, and maintenance of your vidaXL King Size Bed Frame, Model 347111. Please read all instructions carefully before beginning assembly and retain this manual for future reference.

1.1 Safety Information

- **Maximum Weight Capacity:** Do not exceed the maximum weight recommendation of 617 pounds (280 kg). Exceeding this limit may result in damage to the bed frame and potential injury.
- Ensure all bolts and screws are securely tightened before use. Periodically check and re-tighten as necessary.
- Keep small parts away from children during assembly to prevent choking hazards.
- Assemble the bed frame on a soft, clean surface to prevent scratching.
- Two people are recommended for assembly to ensure safety and ease.

2. SETUP AND ASSEMBLY

The vidaXL King Size Bed Frame is designed for simple and quick assembly. All necessary parts and clear instructions are conveniently packed within the product packaging.

2.1 Before You Begin

- Unpack all components and verify against the included parts list.
- Ensure you have adequate space for assembly.

- Gather any required tools (typically an Allen wrench is included, but a screwdriver may be needed).

2.2 Assembly Steps

Refer to the step-by-step diagrams and instructions provided in the separate assembly guide included with your product. The general process involves:

1. Attaching the support legs to the frame sections.
2. Connecting the main frame sections.
3. Installing the plywood slats onto the frame.



Image: Detail of the plywood slats and strong support legs, illustrating the internal structure.



Image: A close-up of the bed frame's corner, highlighting the dark gray fabric upholstery and the robust black leg.

3. OPERATING INSTRUCTIONS

This bed frame is designed to provide a stable and comfortable foundation for your mattress without the need for a box spring.

3.1 Mattress Placement

- Place your King size mattress (recommended size 76" x 80") directly onto the plywood slats. The slatted base ensures optimal mattress support and breathability.
- Ensure the mattress is centered on the frame for even weight distribution.

3.2 Customization

The headboard-free design allows for personalization of your sleeping space. You can easily add wall art, accent pillows, or custom backdrops to suit your decor preferences.



Image: The King size bed frame in a bedroom setting, showcasing its low-profile design and the absence of a headboard, allowing for flexible decor.

4. MAINTENANCE

Proper care will extend the life and appearance of your bed frame.

4.1 Fabric Upholstery Care

- Regularly vacuum the fabric upholstery using a soft brush attachment to remove dust and debris.
- For spills, blot immediately with a clean, dry cloth. Avoid rubbing, as this can spread the stain.
- For stubborn stains, consult a professional upholstery cleaner or use a fabric-specific cleaning solution, testing on an inconspicuous area first.
- Avoid direct sunlight exposure for prolonged periods to prevent fading.

4.2 Frame Structure Care

- Periodically check all bolts and screws to ensure they remain tight. Re-tighten as needed to maintain stability.
- Avoid dragging the bed frame when moving it. Lift it to prevent damage to the legs and frame structure.

5. TROUBLESHOOTING

If you encounter any issues with your bed frame, refer to the following common solutions:

5.1 Squeaking Noises

- **Cause:** Loose connections or friction between parts.
- **Solution:** Re-tighten all assembly bolts and screws. Ensure all slats are properly seated and not rubbing against the frame.

5.2 Instability/Wobbling

- **Cause:** Uneven floor or loose connections.
- **Solution:** Verify the bed frame is on a level surface. Check and tighten all bolts and screws. Ensure all support legs are firmly in contact with the floor.

5.3 Damaged or Missing Parts

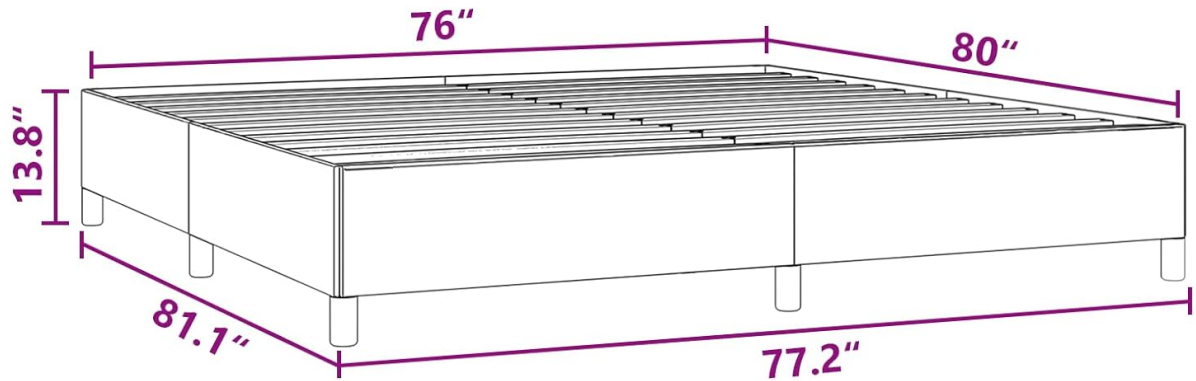
- **Solution:** If you received damaged or missing parts, please contact vidaXL customer support with your purchase details and the specific part numbers from the assembly guide.

6. SPECIFICATIONS

Key specifications for the vidaXL King Size Bed Frame (Model 347111):

KING

The Ultimate in Spacious Comfort



Max.Weight Capacity
617 lb

Recommended Mattress Size
76" x 80"

Image: Dimensional diagram of the King size bed frame, including width, length, height, maximum weight capacity, and recommended mattress size.

Feature	Detail
Brand	vidaXL
Model Number	347111
Size	King
Color	Dark Gray
Finish Type	Painted (legs)
Compatible Mattress Size	King (76" x 80")
Form Factor	Platform Bed
Product Dimensions	206 x 196 x 35 inches (L x W x H)
Item Weight	58.9 pounds (26.7 kg)
Assembly Required	Yes

Upholstery Material	Polyester Fabric
Slats Material	Plywood
Maximum Weight Capacity	617 pounds (280 kg)

7. WARRANTY AND SUPPORT

For warranty information, please refer to the documentation provided at the time of purchase or contact your retailer. vidaXL offers various protection plans that may be available for purchase separately.

7.1 Customer Support

If you have any questions, require assistance with assembly, or need to report damaged/missing parts, please contact vidaXL customer support through their official website or the retailer from whom you purchased the product. Please have your model number (347111) and purchase details ready.