

vidaXL 823323

vidaXL Coffee Table Wood and Iron Sonoma Oak 80x45x45 cm Instruction Manual

Model: 823323

1. INTRODUCTION

Thank you for purchasing the vidaXL Coffee Table. This manual provides essential information for the safe assembly, operation, and maintenance of your new coffee table. Please read these instructions carefully before beginning assembly and retain them for future reference.

This coffee table features a robust engineered wood surface in Sonoma Oak finish and a stable iron frame, designed to provide a practical surface and an open shelf for storage in your living space.

2. SAFETY INFORMATION

Please observe the following safety precautions to prevent injury and damage to the product:

- **Read all instructions:** Ensure you understand all assembly steps before starting.
- **Keep children and pets away:** Small parts can be a choking hazard during assembly.
- **Assemble on a soft, clean surface:** This prevents scratches to the product and your floor.
- **Do not overtighten screws:** Overtightening can damage the material.
- **Use appropriate tools:** Ensure you have the correct tools for assembly.
- **Do not stand or sit on the table:** The table is designed for holding items, not for supporting human weight.
- **Distribute weight evenly:** Avoid placing heavy items on one side to prevent tipping.
- **Avoid direct contact with liquids:** Engineered wood can swell if exposed to moisture for prolonged periods. Use coasters for drinks.

3. PACKAGE CONTENTS

Before assembly, verify that all components are present and undamaged. If any parts are missing or damaged, please contact customer support.

Note: The exact number of screws and small parts may vary. Refer to the included assembly diagram for precise counts.

- Tabletop (Engineered Wood)
- Bottom Shelf (Engineered Wood)
- Iron Frame Components (Legs, Crossbars)
- Adjustable Feet
- Assembly Hardware (Screws, bolts, Allen key)

4. ASSEMBLY INSTRUCTIONS

Assembly requires basic tools, typically an Allen key (often included) and a screwdriver. It is recommended to have two people for assembly to ensure stability and ease of handling larger components.

Step 1: Prepare the Components

Unpack all components and lay them out on a clean, soft surface to prevent scratches. Identify each part by comparing it with the provided parts list or diagram.

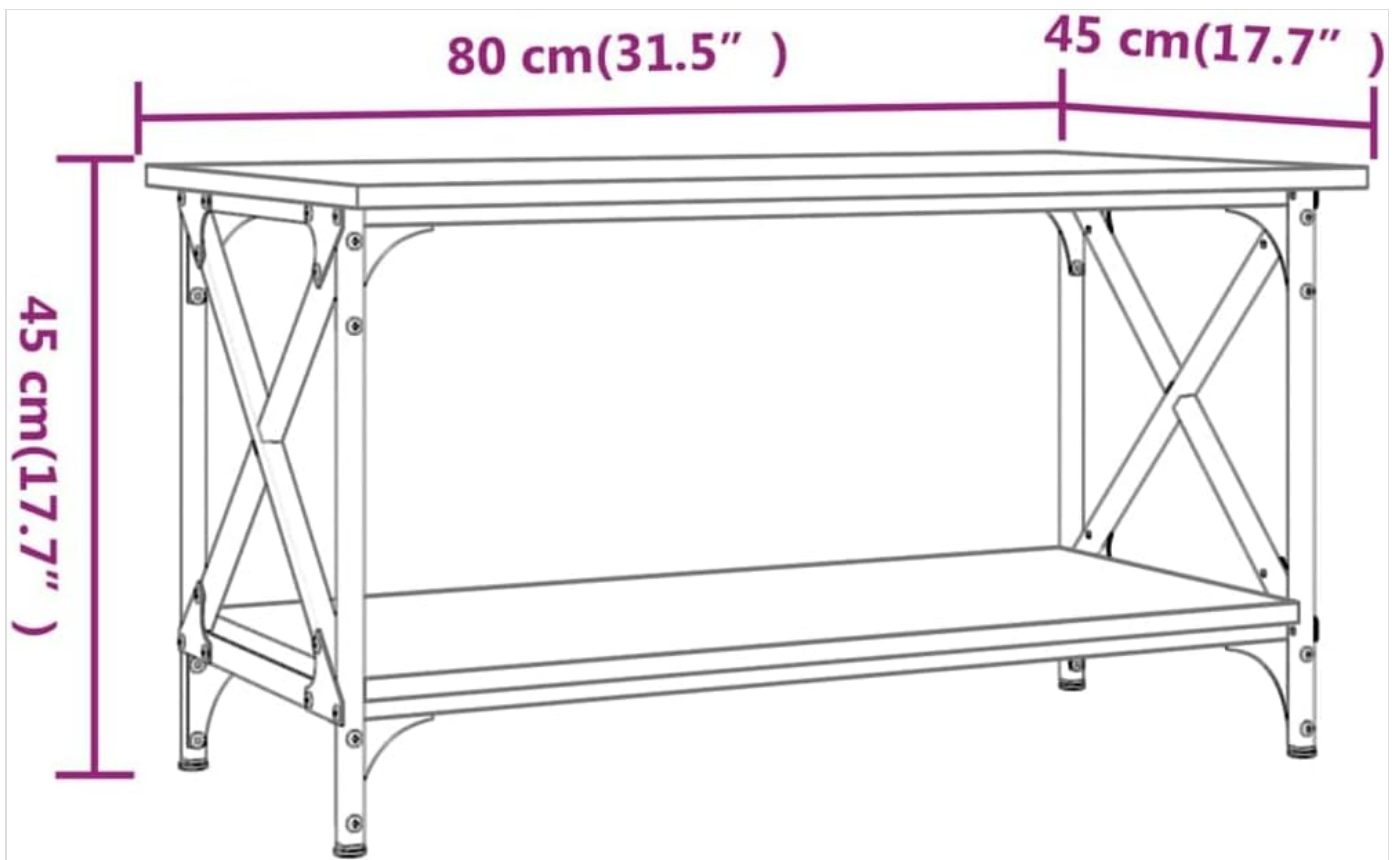


Image: Dimensional diagram of the coffee table, illustrating its length, width, and height.

Step 2: Assemble the Iron Frame

Attach the crossbars to the leg frames using the provided screws and Allen key. Ensure all connections are secure but do not fully tighten until the entire frame is assembled.



Image: Front view of the coffee table, showing the iron frame structure.



Image: Side view of the coffee table, illustrating the X-shaped iron frame.

Step 3: Attach the Bottom Shelf

Carefully place the bottom shelf onto the designated supports within the iron frame. Secure it with screws, ensuring it is level and flush with the frame.

Step 4: Attach the Tabletop

Position the tabletop onto the top of the assembled frame. Align the pre-drilled holes and secure the tabletop using the remaining screws. Once all parts are loosely assembled, gradually tighten all screws for a firm and stable structure.

Step 5: Install Adjustable Feet

Screw the adjustable feet into the bottom of each leg. These feet allow you to level the table on uneven surfaces and protect your floor.

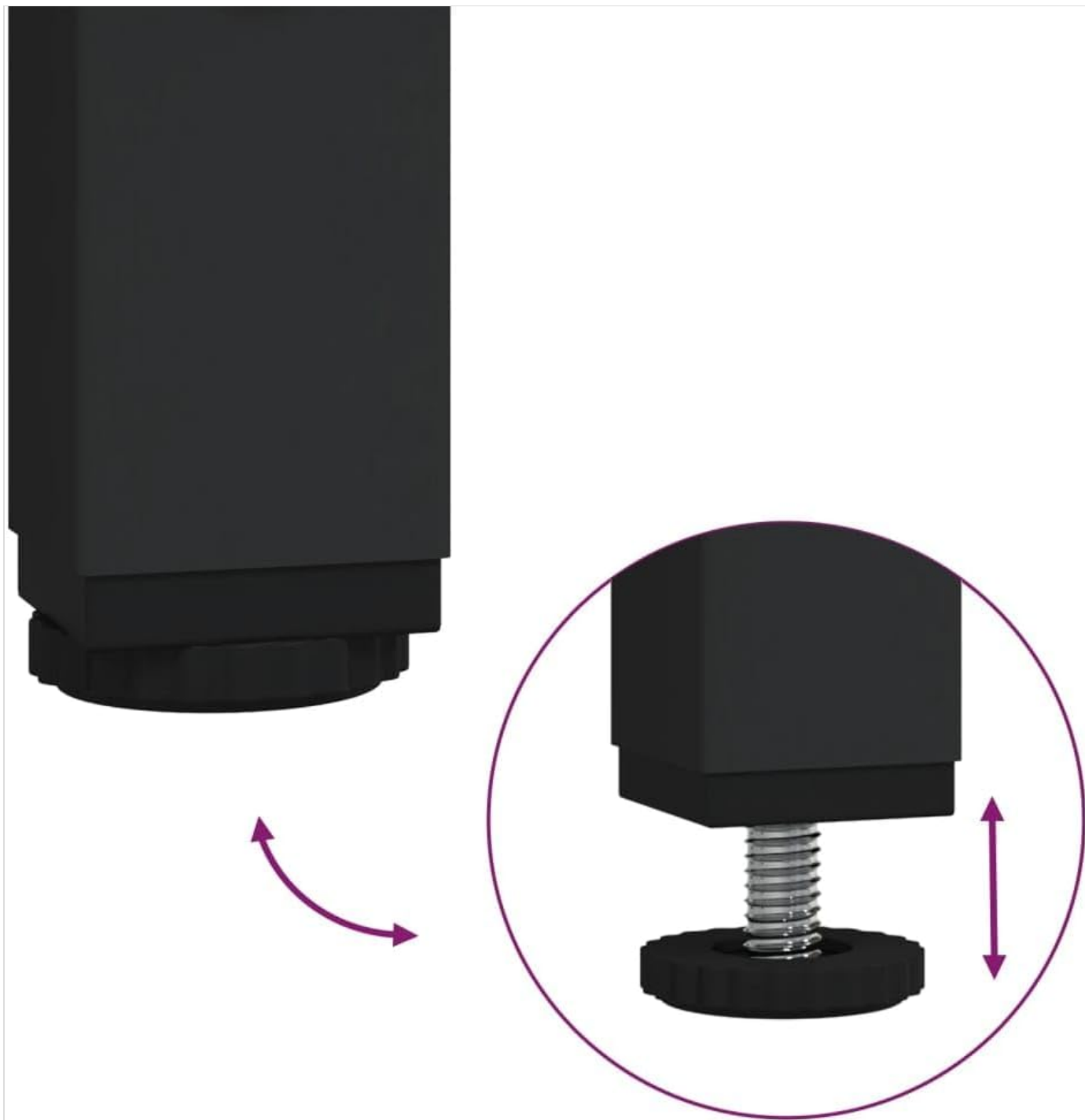


Image: Detail of the adjustable feet, showing how to rotate them to level the table.

5. OPERATING INSTRUCTIONS

Your vidaXL Coffee Table is designed for general household use as a surface for drinks, books, decorative items, and light storage. The open shelf provides additional space for organizing everyday items.

- **Placement:** Position the table on a flat, stable surface. Use the adjustable feet to ensure it does not wobble.
- **Weight Capacity:** Avoid placing excessively heavy objects on the tabletop or shelf. Distribute weight evenly.
- **Surface Protection:** Always use coasters under hot or cold beverages to protect the engineered wood surface from moisture rings and heat damage.



Image: The coffee table in a living room setting, demonstrating its intended use.

6. MAINTENANCE AND CARE

Proper care will extend the life and appearance of your coffee table.

- **Cleaning:** Wipe the surface with a soft, damp cloth. Avoid abrasive cleaners, harsh chemicals, or excessive moisture, as these can damage the finish.
- **Spills:** Immediately wipe up any spills to prevent moisture absorption and swelling of the engineered wood.
- **Sunlight:** Avoid prolonged exposure to direct sunlight to prevent fading or discoloration.
- **Heat:** Do not place hot items directly on the surface. Always use heat-resistant mats or coasters.
- **Regular Checks:** Periodically check all screws and connections to ensure they remain tight. Retighten if necessary.



Image: Detail of the Sonoma Oak wood finish, highlighting its texture.

7. TROUBLESHOOTING

If you encounter issues during or after assembly, refer to the following common solutions:

Problem	Possible Cause	Solution
Table is wobbly/unstable	Screws are loose; uneven floor; parts not aligned correctly.	Ensure all screws are tightened. Adjust the leveling feet on the bottom of the legs. Disassemble and reassemble if parts are misaligned.
Parts do not fit together	Incorrect orientation of parts; wrong parts used; manufacturing defect.	Double-check the assembly diagram for correct part orientation. Verify you are using the correct parts for each step. If parts are defective, contact customer support.

Problem	Possible Cause	Solution
Surface damage (e.g., swelling, discoloration)	Exposure to moisture, heat, or direct sunlight.	This type of damage is often irreversible. Prevent future damage by using coasters, avoiding spills, and placing the table away from direct heat/sunlight.

8. SPECIFICATIONS

Feature	Detail
Brand	vidaXL
Model Number	823323
Dimensions (L x W x H)	80 cm x 45 cm x 45 cm (31.5" x 17.7" x 17.7")
Material (Top)	Engineered Wood
Material (Frame)	Metal (Iron)
Color	Sonoma Oak
Finish	Powder Coated (Frame)
Style	Classic
Base Type	Leg
Country of Origin	China

9. WARRANTY AND SUPPORT

For warranty information or technical support, please refer to the retailer's return policy or contact vidaXL customer service directly. Keep your purchase receipt as proof of purchase.

The product comes with an assembly manual in the box for easy assembly. If you require further assistance, please visit the vidaXL website or contact their support channels.

You can find more information about vidaXL products and support at: [vidaXL Store on Amazon](#)

