



[Manuals.plus](#) /

› [Amyove](#) /

› Amyove Wine Bar Cabinet User Manual

Amyove fzzc230102a

Amyove Wine Bar Cabinet User Manual

Model: fzzc230102a

INTRODUCTION

This manual provides instructions for the assembly, operation, and maintenance of your Amyove Wine Bar Cabinet. Please read it thoroughly before use to ensure safe and proper handling.



Image: The Amyove Wine Bar Cabinet, fully assembled, showcasing its rustic brown finish, glass holder, and wine rack, positioned in a modern living area.

SAFETY INSTRUCTIONS

- Read all instructions carefully before assembly and use.
- Keep small parts away from children during assembly.
- Assemble on a soft, clean surface to prevent scratches to the cabinet parts.
- Do not overtighten screws, as this may damage the material.
- Ensure the cabinet is placed on a level surface to prevent tipping. Use the adjustable feet for stability.
- Maximum weight capacity for the top and middle shelves is 40 lbs (18.14 kg) each. Do not exceed this limit.

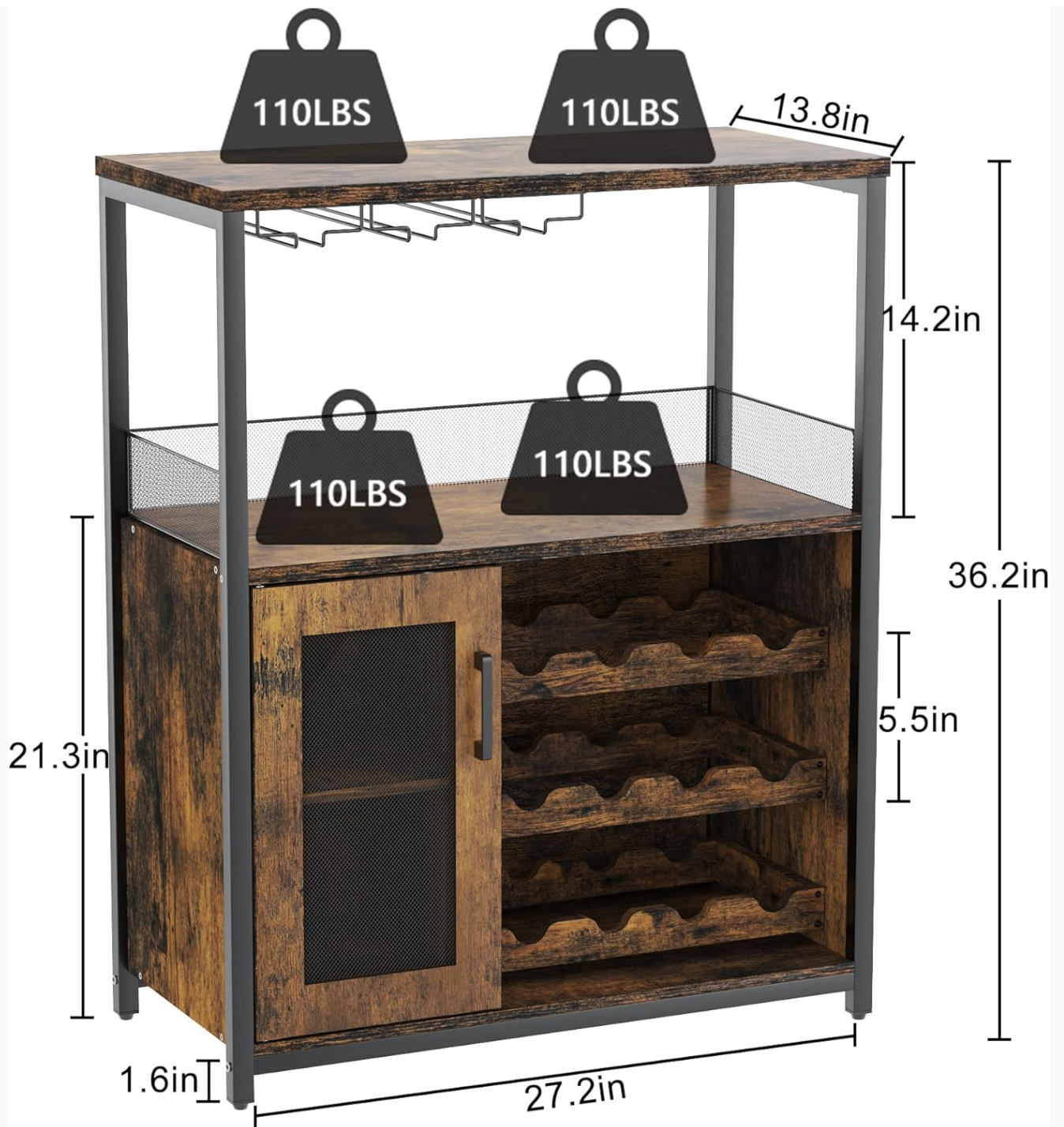


Image: Diagram illustrating the dimensions of the wine bar cabinet (27.2 inches width, 13.8 inches depth, 36.2 inches height) and indicating a maximum weight capacity of 110 lbs (50 kg) for both the top and middle shelves. Note: Official specifications state 40 lbs capacity.

PACKAGE CONTENTS

Verify all parts are present and undamaged before beginning assembly. If any parts are missing or damaged, please contact customer support.

Part	Description	Quantity
A	Top Panel	1
B	Side Frame (Left)	1

Part	Description	Quantity
C	Side Frame (Right)	1
D	Middle Shelf	1
E	Bottom Panel	1
F	Wine Rack Panels	3
G	Glass Holder Rack	1
H	Mesh Door	1
I	Door Hinge	2
J	Door Handle	1
K	Adjustable Feet	4
L	Screws and Tools	1 Set

ASSEMBLY INSTRUCTIONS

Follow these steps carefully for proper assembly. It is recommended to have two people for assembly.

Step 1: Assemble the Frame

Attach the side frames (B, C) to the bottom panel (E) using the provided screws (L). Ensure the pre-drilled holes align perfectly before tightening. Do not fully tighten screws until all major components are in place.



Image: An angled view of the cabinet's metal frame and wooden panels partially assembled, showing the basic structure before the top and internal components are added.

Step 2: Install Middle Shelf and Glass Holder

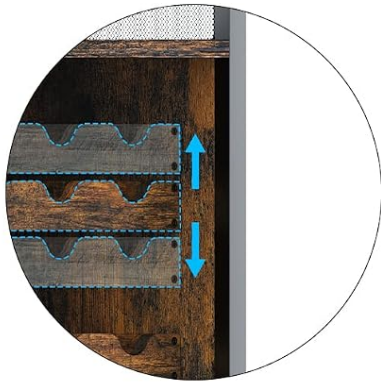
Secure the middle shelf (D) between the side frames (B, C). Then, attach the glass holder rack (G) to the underside of the top panel (A) or the designated crossbar using the appropriate screws.



Image: A close-up view demonstrating the installation of the stemware rack, showing how wine glasses hang securely from the integrated holder beneath a shelf.

Step 3: Attach Top Panel and Adjustable Feet

Place the top panel (A) onto the assembled frame and secure it with screws. Once the main structure is stable, screw in the adjustable feet (K) into the bottom of the cabinet legs. Adjust them to level the cabinet on uneven surfaces.



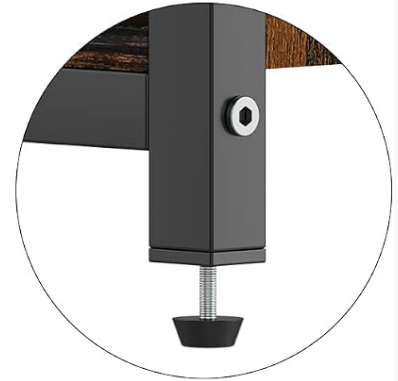
Adjustable Shelves



Baffle Design



Anti-Fall Design



Adjustable Feet



Water Proof



Exquisite Handle

Image: A collage of detailed features, including adjustable shelves, baffle design, anti-fall design, adjustable feet, waterproof surface, and an exquisite handle, highlighting the cabinet's thoughtful construction.

Step 4: Assemble Wine Racks

Insert the wine rack panels (F) into the designated slots within the cabinet. These panels are removable and can be configured in different ways to suit your storage needs, allowing for various bottle sizes or other items.

Different Ways Of Placing Wine Racks



Image: A visual guide showing five different ways to configure the removable wine racks and shelves within the cabinet, demonstrating flexibility for storing various bottle shapes and sizes, or for accommodating other items like ice buckets and glasses.

Step 5: Install Mesh Door

Attach the door hinges (I) to the mesh door (H) and then to the cabinet frame. Finally, attach the door handle (J) to the mesh door. Ensure the door opens and closes smoothly.

FEATURES AND FUNCTIONS

Versatile Storage

The Amyove Wine Bar Cabinet offers multiple storage options designed for convenience and organization:

- **Top Surface:** A spacious top surface ideal for displaying decor, preparing drinks, or holding frequently used bar items.
- **Glass Holder:** A dedicated rack conveniently stores up to 9 wine glasses upside down, keeping them dust-

free and ready for use.

- **Removable Wine Racks:** Three removable wine rack panels can hold up to 12 standard wine bottles. These can be adjusted or removed to accommodate larger bottles, ice buckets, or other bar accessories.
- **Mesh Door Cabinet:** The enclosed cabinet with a stylish mesh door provides discreet storage for spirits, bar tools, or other items you wish to keep out of sight.



Image: An illustrative diagram highlighting the various storage compartments of the wine bar cabinet, showing how wine bottles, glasses, decanters, and other bar essentials can be organized and stored efficiently.

Adjustable Shelves

The wine rack shelves are designed to be adjustable, allowing you to customize the storage space based on the size and quantity of your bottles or other items.

Adjustable Feet

The cabinet is equipped with adjustable feet at its base. These can be rotated to fine-tune the height and ensure the cabinet remains stable and level on uneven floor surfaces.

CARE AND MAINTENANCE

- **Cleaning:** Wipe all surfaces with a soft, damp cloth. Avoid using harsh chemicals, abrasive cleaners, or rough sponges, as these can damage the finish.
- **Spills:** Promptly wipe up any liquid spills to prevent water damage or staining to the wood finish. The surface is designed to be water-resistant, but prolonged exposure to liquids should be avoided.
- **Stability Check:** Periodically check all screws and connections to ensure they remain tight. Re-tighten if necessary to maintain the cabinet's structural integrity.
- **Placement:** Avoid placing the cabinet in direct sunlight or near heat sources (e.g., radiators, fireplaces) to prevent warping, fading, or other damage to the materials.

TROUBLESHOOTING

Cabinet is wobbly:

Ensure all assembly screws are fully tightened. Adjust the leveling feet at the bottom of the cabinet by rotating them until the cabinet is stable and does not rock.

Door does not close properly:

Check the alignment of the hinges. Loosen the hinge screws slightly, adjust the door's position to ensure proper alignment with the frame, and then re-tighten the screws.

Wine racks do not fit:

Ensure the wine rack panels are inserted correctly into the designated slots. Refer to the assembly instructions (Step 4) for proper orientation and placement of the removable racks.

SPECIFICATIONS

Feature	Detail
Brand	Amyove
Model Number	fzcc230102a (also fzcc22015)
Color	Rustic Brown
Dimensions (L x W x H)	69.09 x 35.05 x 91.95 cm (27.2 x 13.8 x 36.2 inches)
Item Weight	17.7 Kilograms (39 lbs)
Maximum Weight Capacity (Top/Middle Shelf)	40 Pounds (18.14 kg)
Material	Engineered Wood, Metal, Glass
Special Features	Removable Wine Racks, Glass Holder, Adjustable Feet, Mesh Door
Recommended Use	Minibar, Wine Storage, Sideboard

WARRANTY AND SUPPORT

For any questions, missing parts, or issues with your Amyove Wine Bar Cabinet, please contact Amyove customer support. Specific warranty details may vary by region and retailer; please refer to your purchase documentation for precise information.

You can typically find customer support contact information on the retailer's website where you purchased the product or within your order details.