



[Manuals.plus](#) /

> [Merax](#) /

> Merax Modern Upholstered Recliner Chair User Manual

## Merax HA-419

# Merax Modern Upholstered Recliner Chair User Manual

Model: HA-419

## 1. INTRODUCTION

---

Thank you for choosing the Merax Modern Upholstered Recliner Chair. This manual provides essential information for the safe and efficient assembly, operation, and maintenance of your new recliner. Please read it thoroughly before use and retain it for future reference.



Figure 1: Merax Modern Upholstered Recliner Chair in reclined position.

This image shows the Merax recliner in a beige color, with its footrest extended and the backrest slightly reclined, demonstrating its comfortable lounging position. The chair features a sleek, modern design with square arms and a circular swivel base.

## 2. SAFETY INFORMATION

---

- Always ensure all parts are securely fastened before use.
- Do not stand on the chair or use it as a step stool.
- Keep children and pets away from the reclining mechanism during operation.
- Avoid placing the chair near heat sources or in direct sunlight to prevent material degradation.
- Maximum weight capacity: 330 lbs. Do not exceed this limit.
- Use only on a flat, stable surface.

## 3. PACKAGE CONTENTS

---

Before assembly, verify that all components are present and undamaged. If any parts are missing or damaged, please contact customer support.

1. Recliner Base (with swivel mechanism)
2. Backrest Section
3. Seat Cushion (integrated)
4. Armrests (integrated)
5. Assembly Hardware (pre-attached or in a separate bag)

## 4. SETUP AND ASSEMBLY

Assembly is designed to be straightforward and can typically be completed by an adult in approximately 15 minutes. No special tools are required.

1. **Unpack Components:** Carefully remove all parts from the packaging. Place them on a soft, clean surface to prevent scratches.
2. **Attach Backrest:** Align the metal brackets on the backrest with the corresponding slots on the recliner base. Push down firmly until the backrest clicks securely into place.



Figure 2: Illustration of backrest attachment points and foam cushioning.

This image provides a detailed view of the recliner's backrest and seat, emphasizing the quality of the foam seat cushions and the clean, sophisticated style of the upholstery. It also shows the hidden reclining mechanism and the easy-to-operate lever.

3. **Secure Fabric Skirt:** Ensure the fabric skirt around the base is properly aligned and covers the mechanism.
4. **Verify Stability:** Once assembled, gently rock and swivel the chair to ensure all connections are secure and the chair is stable.

## 5. OPERATING INSTRUCTIONS

The Merax recliner offers multiple comfort features:

- **Reclining Function:** Locate the reclining lever on the side of the chair (typically on the right armrest). Pull the lever to release the footrest and recline the backrest. Lean back to achieve your desired reclining angle (90-150 degrees). To return to the upright position, push the footrest down with your legs and lean forward.



Figure 3: Multi-functional use of the recliner.

This image illustrates the versatility of the Merax recliner, showing it in various positions suitable for reading, watching TV, and napping. It highlights the 360-degree swivel capability and the smooth transition between upright and reclined states.

- **Swivel Function:** The chair is equipped with a 360-degree swivel base, allowing you to rotate freely without moving the entire chair.
- **Gliding/Rocking Function:** The built-in glider mechanism allows for smooth gliding and rocking motions, providing additional comfort.

## 6. MAINTENANCE AND CARE

- **Cleaning:** For general cleaning, wipe the upholstered surfaces with a clean, damp cloth. For spills, blot immediately with a clean, dry cloth. Do not use harsh chemicals or abrasive cleaners.
- **Mechanism:** The reclining and swivel mechanisms are designed for durability. Avoid forcing the mechanism. Periodically check for any loose screws and tighten if necessary.
- **Fabric Care:** Vacuum regularly to remove dust and debris. Avoid prolonged exposure to direct sunlight to prevent fading.

## 7. TROUBLESHOOTING

| Problem                             | Possible Cause                                      | Solution  |
|-------------------------------------|---|---|
| Chair does not recline smoothly.    | Mechanism obstruction or loose connection.          | Check for any objects obstructing the mechanism. Ensure backrest is fully engaged.                |
| Footrest does not close completely. | Mechanism not fully engaged or obstruction.         | Apply firm pressure to the footrest with your legs while leaning forward. Check for obstructions. |
| Squeaking sound during operation.   | Lack of lubrication in moving parts or loose bolts. | Apply a silicone-based lubricant to moving parts. Check and tighten all assembly bolts.           |

## 8. SPECIFICATIONS

| Feature                       | Detail   |
|-------------------------------|--|
| Brand                         | Merax  |
| Model Name                    | Merax Modern Upholstered Recliner Chair                  |
| Model Number                  | HA-419   |
| Color                         | Beige  |
| Product Dimensions            | 33"D x 25.5"W x 37.5"H                                   |
| Seat Height                   | 17.75 Inches   |
| Maximum Weight Recommendation | 330 Pounds   |
| Fill Material                 | Sponge   |
| Reclining Position Count      | 2 (90-150 Degree)  |
| Special Features              | Arm Rest, Ergonomic, Foot Rest, Reclining, Swivel Rocker |
| Indoor/Outdoor Usage          | Indoor   |
| Date First Available          | January 12, 2023   |

# SIZE:inch

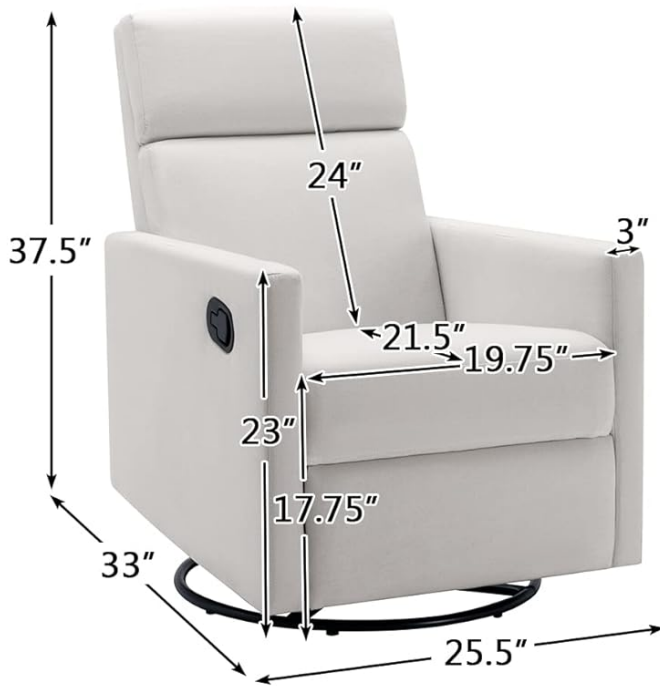


Figure 4: Detailed dimensions of the recliner.

This diagram provides precise measurements of the Merax recliner in inches, including its height, width, and depth in both upright and fully extended positions. It also illustrates the various recline angles (95°, 145°, 160°) for different uses.

## 9. WARRANTY AND SUPPORT

Merax products are designed for quality and durability. This product comes with a standard return policy of 30 days from the date of purchase. Additionally, protection plans are available for extended coverage:

- **2-Year Protection Plan**
- **3-Year Protection Plan**
- **Complete Protect:** A monthly plan covering eligible past and future purchases.

For customer support, assistance with assembly, troubleshooting, or warranty claims, please refer to the contact information provided at the point of purchase or visit the official Merax website. You can also find more information on [the Merax Store on Amazon](#).

